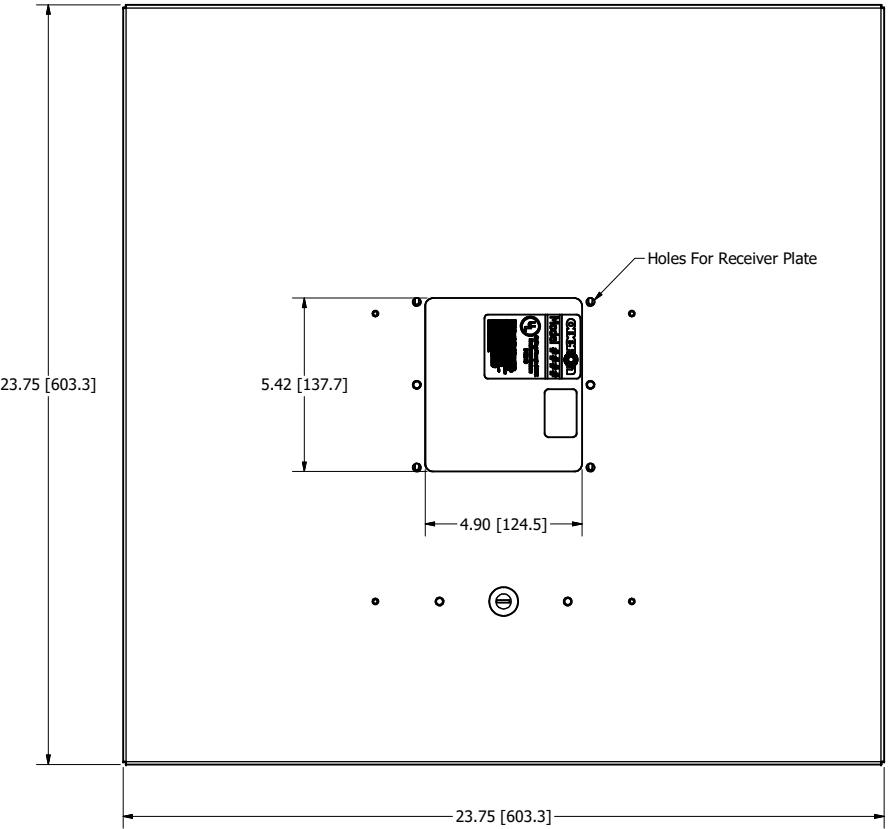
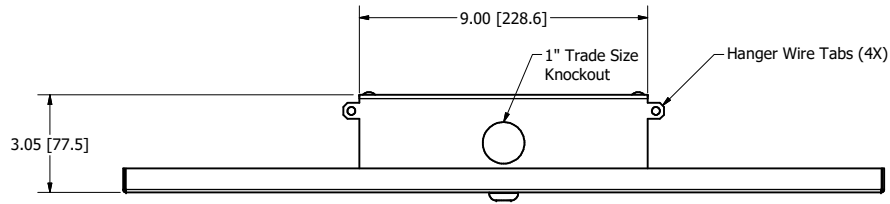
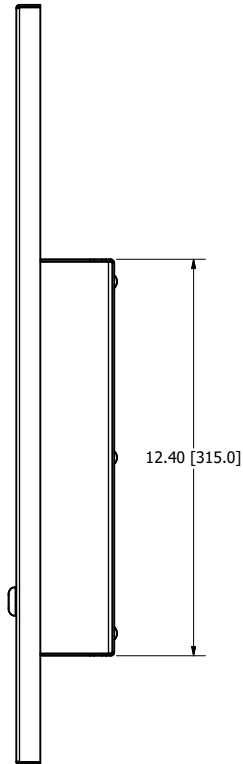
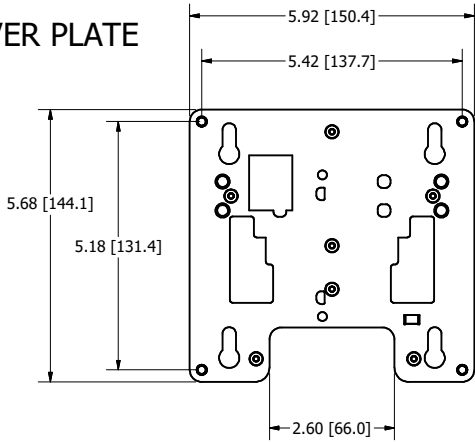


# CEILING TILE MOUNT



REVISION HISTORY				
ZONE	REV	DESCRIPTION	DATE	APPROVED
All	7	Updated backbox depth	11/17/2015	RLC
All	8	Updated Receiver Plate, Views, "Includes" List, Notes, Added AP Mounting Legend	1/10/2020	CAH
All	9	Updated Receiver Plate, AP Mounting Legend	1/23/2020	CAH
All	10	Updated Receiver Plate	3/9/2020	CAH
Pg. 2	11	Updated AP Mounting Legend	12/7/2021	CAH

# RECEIVER PLATE



### NOTES:

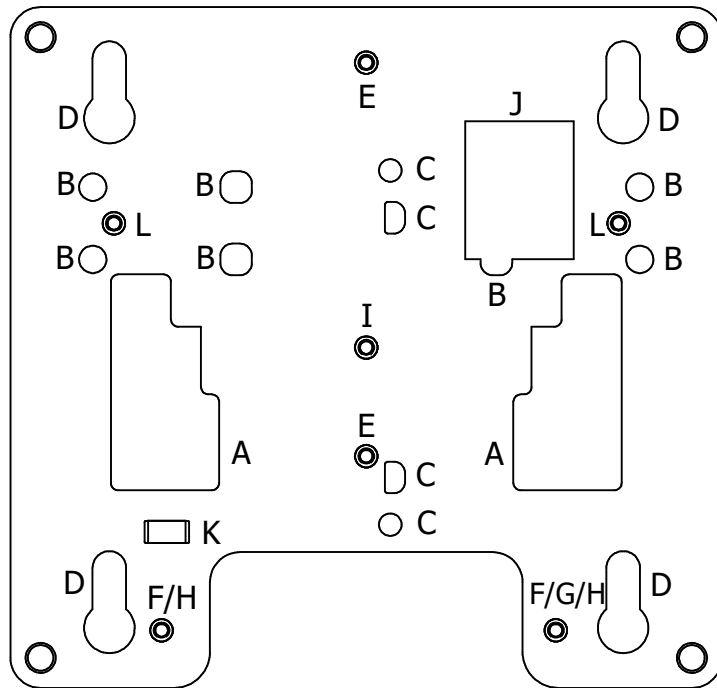
- Weight: 11 lbs.
- Material: 16 Ga. Aluminum Backbox  
18 Ga. White Powder Coated Steel Flange  
20 Ga. White Powder Coated Steel Receiver Plate

### Includes:

- (1) Ceiling Tile Mount
- (1) Receiver Plate
- (1) Dual Cable Egress Firestop Grommet
- (1) 1 in. Trade Size Conduit Connector
- (2) M4 x 0.7 mm Flat Head Screws
- (2) #6-32 x 1/4" Pan Head Screws
- (1) Cable Tie
- (2) Keys for Lock
- (4) Hanger Wires

UL Listed - File Number E348543  
OSHPD Approved - OPM-0110-13

DRAWN CAH	12/7/2021	Oberon, Inc. - 1315 S. Allen St. - State College, PA 16801		
CHECKED CAH	12/7/2021	TITLE		
QA		Model 1068-00		
MFG CAH	12/7/2021	SIZE C	DWG NO 1068-00	REV 11
APPROVED CAH	12/7/2021	SCALE	SHEET 1 OF 2	
TOLERANCE:	.0 = +/- .030 .00 = +/- .015 .000 = +/- .005			



### AP Mounting Legend

- A - ARUBA 3XX SERIES MOUNTING FEATURES
- B - ARUBA 5XX SERIES MOUNTING HOLES
- C - ARUBA 505 MOUNTING HOLES
- D - KEY SLOTS FOR MOUNTING CISCO APS
- E - SINGLE GANG OUTLET BOX
- F - SINGLE GANG OUTLET BOX HOLES FOR MERAKI APS  
(USE "E" MARKED HOLES ON MERAKI "MOUNT PLATE")
- G - SET SCREW HOLE FOR CISCO 27/3700 SERIES APS
- H - SET SCREW HOLE FOR CISCO 28/3800 AND 91XX SERIES APS
- I - SET SCREW HOLE FOR ARUBA 3XX SERIES APS
- J - ETHERNET PORT OPENING
- K - CABLE TIE SLOT

DRAWN CAH	12/7/2021	Oberon, Inc. - 1315 S. Allen St. - State College, PA 16801		
CHECKED CAH	12/7/2021	TITLE		
QA		Model 1068-00		
MFG CAH	12/7/2021	SIZE C	DWG NO 1068-00	REV 11
APPROVED CAH	12/7/2021	SCALE	SHEET 2 OF 2	
TOLERANCE:	.0 = +/- .030 .00 = +/- .015 .000 = +/- .005			