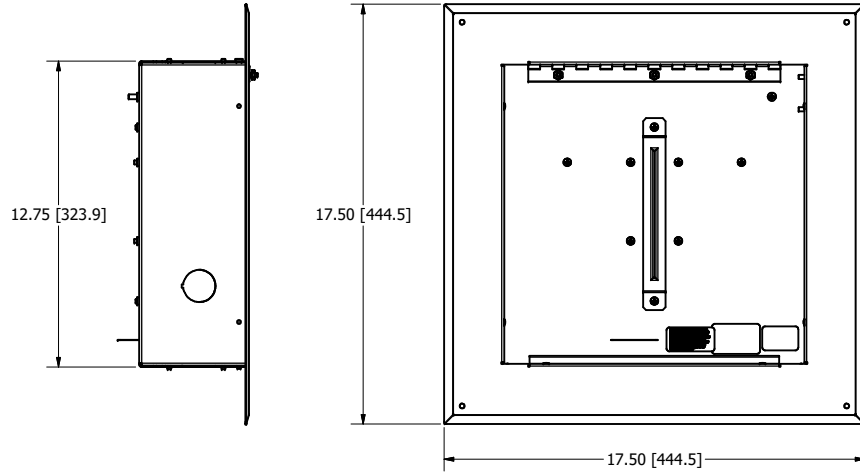
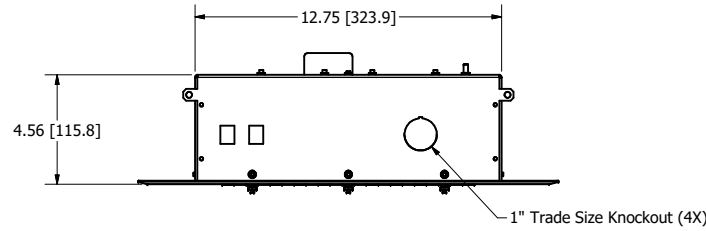


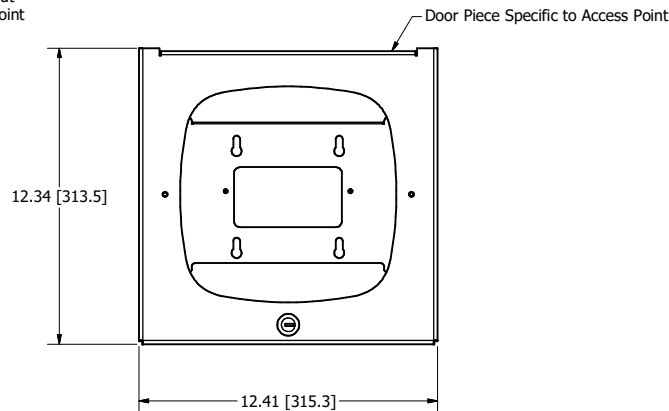
ENCLOSURE BACKBOX

| REVISION HISTORY | | | | |
|------------------|-----|--|------------|----------|
| ZONE | REV | DESCRIPTION | DATE | APPROVED |
| All | 1 | Released | 7/11/2019 | DLV |
| All | 2 | Updated Images, Added P/N List | 11/26/2019 | CAH |
| All | 3 | Updated "Includes" List, Configuration Table | 2/19/2020 | CAH |



DOOR

**NOTE: Door Cutout Specific to Access Point



NOTES:

- Weight: 12 lbs.
- Material:
 - 16 Ga. Galvanized Steel Backbox
 - 14 Ga. White Powder Coated Steel Door
 - 18 Ga. White Powder Coated Steel Bezel

Includes:

- (4) Wire Hangers
- (1) T-Bar Bracket
- (1) Dual Cable Egress Fire Stop Grommet
- (1) 1 in. Trade Size Conduit Connector
- (4) White Cosmetic Screw Caps
- (4) #10 Ceiling/Wall Attachment Screws
- (1) Grounding Screw
- (2) Keys for Lock

- UL Listed File No. E249360
- OSHPD Approved: File No. OPM-0110-13

NOTE: All materials used in the construction of Oberon products must be RoHS compliant and meet RoHS2 Directive 2011/65/EU. Contact Oberon engineering if RoHS compliant materials are not available.

| | | | | |
|-----------------|--|--|-------------------|----------|
| DRAWN CAH | 2/19/2020 | Oberon, Inc. - 1315 S. Allen St. - State College, PA 16801 | | |
| CHECKED CAH | 2/19/2020 | TITLE | | |
| QA | | Model 1051-XX | | |
| MFG CAH | 2/19/2020 | SIZE C | DWG NO 1051-XX | REV 3 |
| APPROVED CAH | 2/19/2020 | SCALE | SHEET 1 OF 2 | |
| TOLERANCE: | .0 = +/- .030 .00 = +/- .015 .000 = +/- .005 | | | |

Please specify configuration when ordering:

1051 - _____ - _____

ENCLOSURE - AP DOOR - COMPLIANCE TYPE
 STYLE (see Configurations) (For Ordering -CCEA SKUs Only)
 (Leave Blank When Ordering Standard Models)

| CONFIGURATION TABLE | | | | |
|---------------------|-----------------|-----------|--|--|
| MODEL NUMBER | ENCLOSURE STYLE | AP DOOR | ACCESS POINT | TO ORDER DOOR SEPARATELY - USE DOOR P/N ONLY |
| 1051-00 | 1051 | 00 | General Purpose for APs w/ External Antennas | 38-105X-00 |
| 1051-AP225 | 1051 | AP225 | Aruba AP225 | 38-105X-AP225 |
| 1051-ARAP305 | 1051 | ARAP305 | Aruba AP305 | 38-105X-ARAP305 |
| 1051-ARAP315 | 1051 | ARAP315 | Aruba AP315 | 38-105X-ARAP315 |
| 1051-ARAP325 | 1051 | ARAP325 | Aruba AP325 | 38-105X-ARAP325 |
| 1051-ARAP335 | 1051 | ARAP335 | Aruba AP335 or AP345 | 38-105X-ARAP335 |
| 1051-ARAP505 | 1051 | ARAP505 | Aruba AP505 | 38-105X-ARAP505 |
| 1051-ARAP515 | 1051 | ARAP515 | Aruba AP515 | 38-105X-ARAP515 |
| 1051-ARAP535 | 1051 | ARAP535 | Aruba AP535 | 38-105X-ARAP535 |
| 1051-ARAP555 | 1051 | ARAP555 | Aruba AP555 | 38-105X-ARAP555 |
| 1051-CCOAP | 1051 | CCOAP | Cisco 2700, 3700 Series APs | 38-105X-CCOAP |
| 1051-CCOAP3800 | 1051 | CCOAP3800 | Cisco 2800, 3800 Series APs | 38-105X-CCOAP3800 |
| 1051-COAP4800 | 1051 | COAP4800 | Cisco 4800 Series APs | 38-105X-COAP4800 |
| 1051-COAP9115 | 1051 | COAP9115 | Cisco 9115 Series APs | 38-105X-COAP9115 |
| 1051-COAP9117 | 1051 | COAP9117 | Cisco 9117 Series APs | 38-105X-COAP9117 |
| 1051-COAP9120 | 1051 | COAP9120 | Cisco 9120 Series APs | 38-105X-COAP9120 |
| 1051-COAP9130 | 1051 | COAP9130 | Cisco 9130 Series APs | 38-105X-COAP9130 |
| 1051-CP | 1051 | CP | General Purpose for APs w/ Internal Antennas | 38-105X-CP |
| 1051-DOME | 1051 | DOME | General Purpose for APs w/ Internal Antennas | 38-105X-DOME |
| 1051-ND | 1051 | ND | N/A (No Door Included) | ND |

"-CCEA" = Compliant with "City of Chicago Environmental Air" Standard
 "-CCEA" Versions for All Model Numbers are Available Upon Request

| | | | | |
|-----------------|--|--|-------------------|----------|
| DRAWN CAH | 2/19/2020 | Oberon, Inc. - 1315 S. Allen St. - State College, PA 16801 | | |
| CHECKED CAH | 2/19/2020 | TITLE | | |
| QA | | Model 1051-XX | | |
| MFG CAH | 2/19/2020 | | | |
| APPROVED CAH | 2/19/2020 | | | |
| TOLERANCE: | .0 = +/- .030 .00 = +/- .015 .000 = +/- .005 | SIZE C | DWG NO 1051-XX | REV 3 |
| | | SCALE | SHEET 2 OF 2 | |