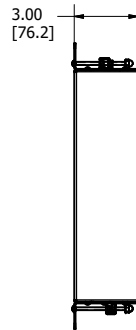
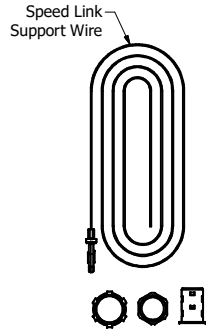
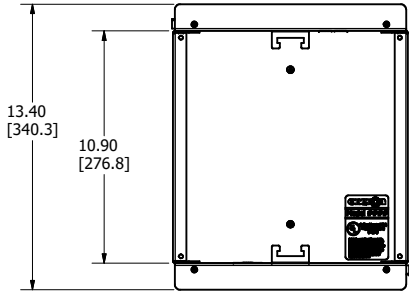
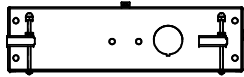
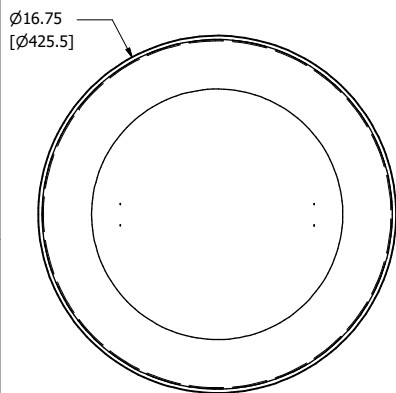


ENCLOSURE BACKBOX

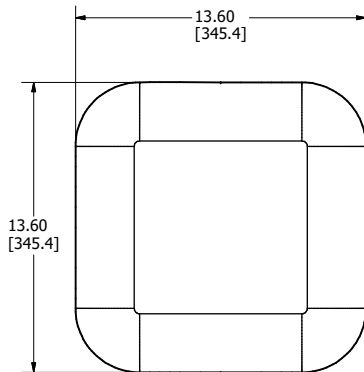
ZONE		REV	DESCRIPTION	DATE	APPROVED
All		1	Released	1/29/2021	RLC



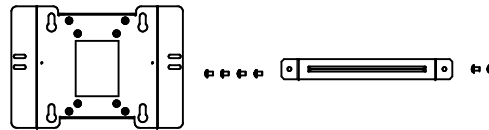
TRIM OPTIONS



"-FLRD" Trim Option



"-FL" Trim Option



Hardware Items Included With Both Option

NOTES:

- Weight: 6 lbs.
- Material: 20 Ga. Galvanized Steel Backbox
ABS Plastic Trim

Includes:

- (1) Backbox
- (1) Trim, Either "-FL" or "-FLRD" Option
- (1) Dual Cable Egress Firestop Grommet
- (1) 1 in. Trade Size Conduit Connector
- (1) Speed Link Support Wire
- Access Point Attachment Hardware
- (1) T-Bar Bracket
- (1) Cisco Mounting Bracket

UL Listed - File Number E348543

NOTE: All materials used in the construction of Oberon products must be RoHS compliant and meet RoHS2 Directive 2011/65/EU. Contact Oberon engineering if RoHS compliant materials are not available.

DRAWN	RLC	1/29/2021	Oberon, Inc. - 1315 S. Allen St. - State College, PA 16801		
CHECKED	RLC	1/29/2021	TITLE		
QA			Model 1042-FL or 1042-FLRD		
MFG	RLC	1/29/2021	SIZE	DWG NO	REV
APPROVED	RLC	1/29/2021	C	Model1042-FL or -FLRD	1
TOLERANCE:	.0 = +/- .030		SCALE		
	.00 = +/- .015				
	.000 = +/- .005				SHEET 1 OF 1