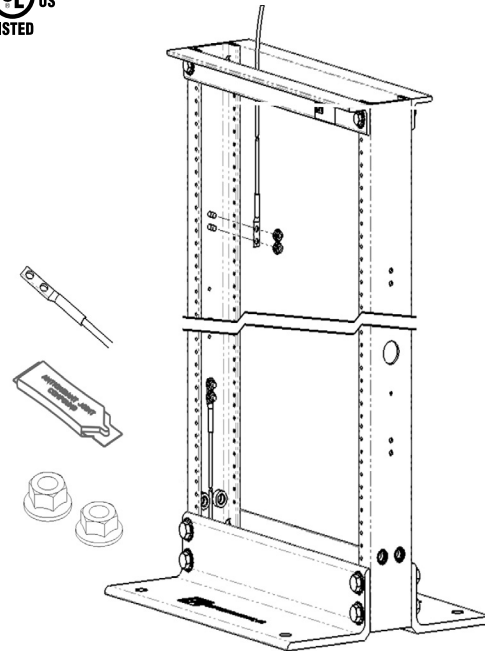


Rack Bonding Jumper Kit

Rack Bonding Jumper Kits serve as a rack bonding conductor for CPI's Universal and Standard Racks. CPI's Universal Racks include a location for attaching the Rack Bonding Jumper Kit inside the rack's vertical equipment mounting channel. Order additional hardware as required to secure the other end of the jumper to the telecommunications equipment bonding conductor or directly to a telecommunications bonding busbar.

Kit consists of:

- 9'L (2.7 m) #6 AWG stranded copper conductor insulated green with a horizontal yellow stripe attached to a two-hole compression lug with 1/4" (6.35 mm) bolt holes spaced on 5/8" (15.88 mm) centers
- 1/4-20 zinc plated serrated flange hex nuts
- 0.5 oz (14 g) packet of aluminum antioxidant joint compound
- Constructed of UL Listed components, File E236184, Category KDER (US), KDER7 (Canada) - Bonding and Grounding Equipment
- Available individually or in packages of 10



Shown mounted to rack

ORDERING INFORMATION

Part Number	Description	Number of Lugs	Shipping Weight lb (kg)
40159-008	Rack Bonding Jumper Kit, 1 Each	2 (0.9)	4 (1.8)
40159-018	Rack Bonding Jumper Kit, Pack of 10	12 (5.4)	5 (2.3)

United States

Agoura Hills, CA
800-834-4969

Canada

Toronto, Ontario, Canada
+905-850-7770

Europe

Buckinghamshire, UK
+441628524834

Middle East & Africa

Dubai, UAE
+971-4-2602125

Doha, Qatar
+974-4-267422

Latin America

+52-55-5203-7525
Toll Free within Mexico
800-201-7592
chatsworth.com.co

Asia Pacific

+86 21 6880-0266
chatsworth.com.cn



CHATSWORTH
PRODUCTS