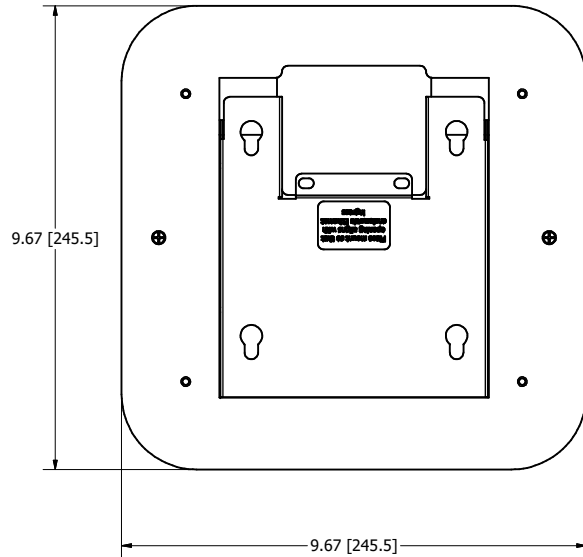
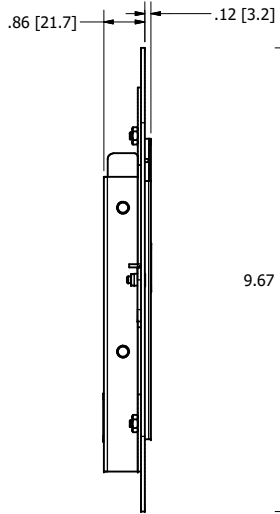
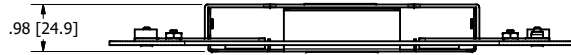
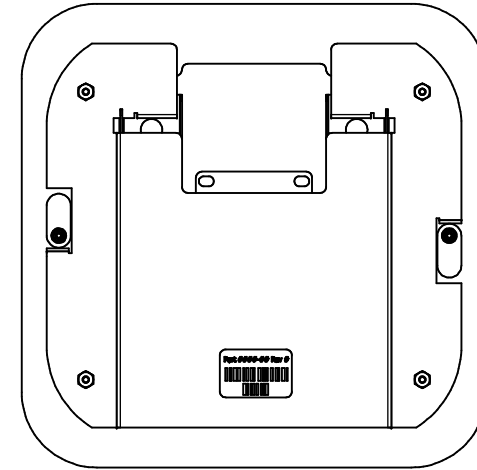


REVISION HISTORY				
ZONE	REV	DESCRIPTION	DATE	APPROVED
All	1	Released	4/6/2018	RLC
All	2	Updated Model Number	12/6/2021	RLC



FRONT VIEW



BACK VIEW

NOTES:

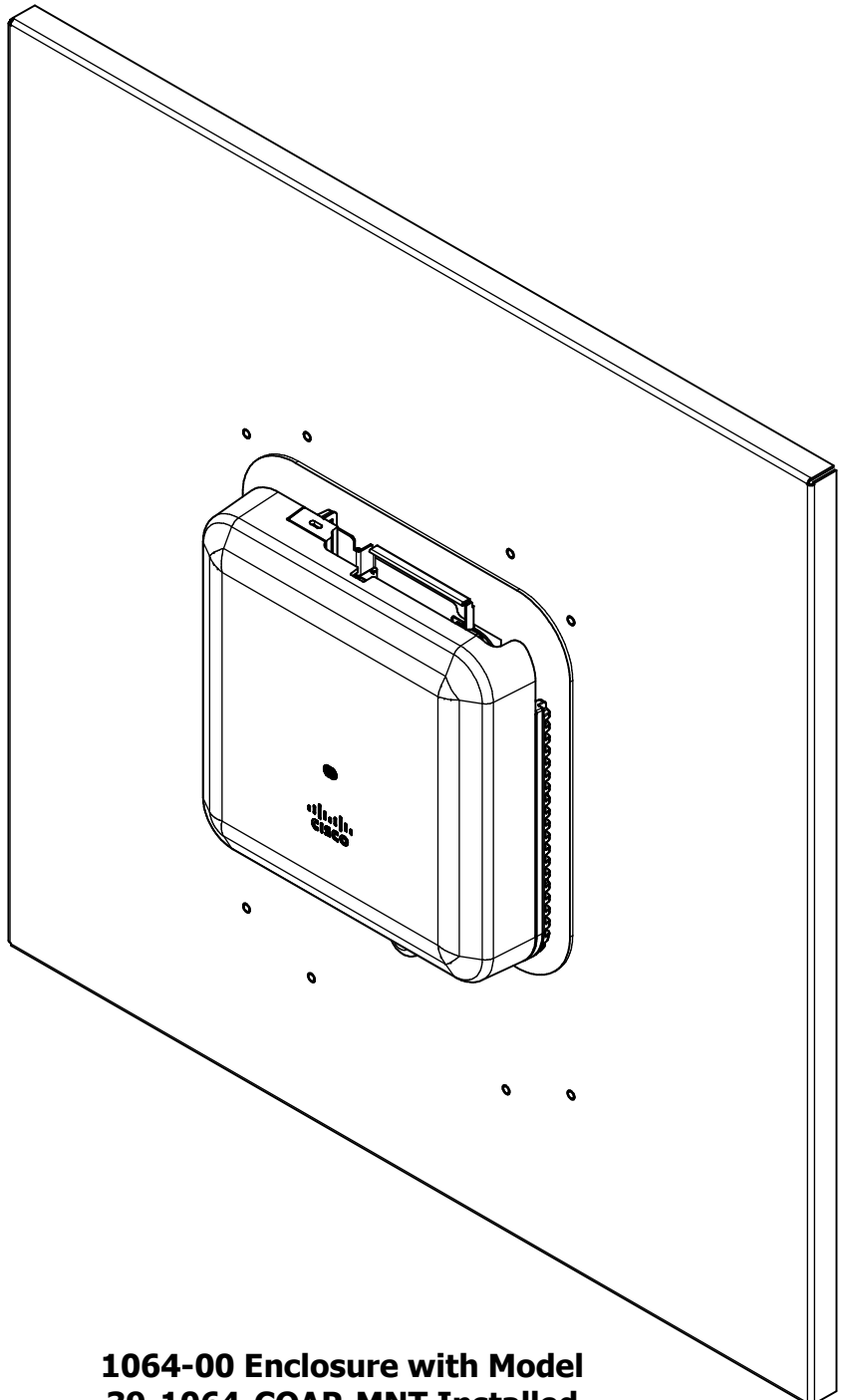
- Weight: 3 lbs.
- Material: 12 Gauge Aluminum trim - White Powder Coat
20 Gauge Galvanized Steel Mounting Plate
16 Gauge Galvanized Steel Back Plate

Includes:

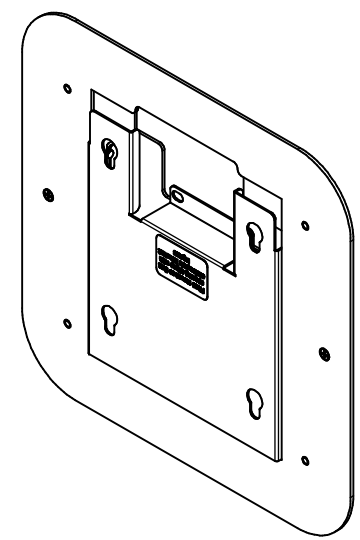
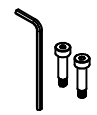
-Installation Hardware and Allen Wrench

NOTE: All materials used in the construction of Oberon products must be RoHS compliant and meet RoHS2 Directive 2011/65/EU. Contact Oberon engineering if RoHS compliant materials are not available.

DRAWN	RLC	4/6/2018	Oberon, Inc. - 1315 S. Allen St. - State College, PA 16801		
CHECKED	RLC	12/6/2021	TITLE		
QA			Model 39-1064-COAP-MNT		
MFG	RLC	12/6/2021	SIZE	DWG NO	REV
APPROVED	RLC	12/6/2021	C	3524	2
TOLERANCE:		.0 = +/- .030 .00 = +/- .015 .000 = +/- .005	SCALE	SHEET 1 OF 2	



1064-00 Enclosure with Model 39-1064-COAP-MNT Installed



**Model 39-1064-COAP-MNT
With Included Hardware**

DRAWN	4/6/2018	Oberon, Inc. - 1315 S. Allen St. - State College, PA 16801		
CHECKED	12/6/2021	TITLE		
RLC		Model 39-1064-COAP-MNT		
QA		SIZE	DWG NO	REV
MFG	12/6/2021	C	3524	2
RLC	12/6/2021	SCALE	SHEET 2 OF 2	
TOLERANCE:	.0 = +/- .030			
	.00 = +/- .015			
	.000 = +/- .005			