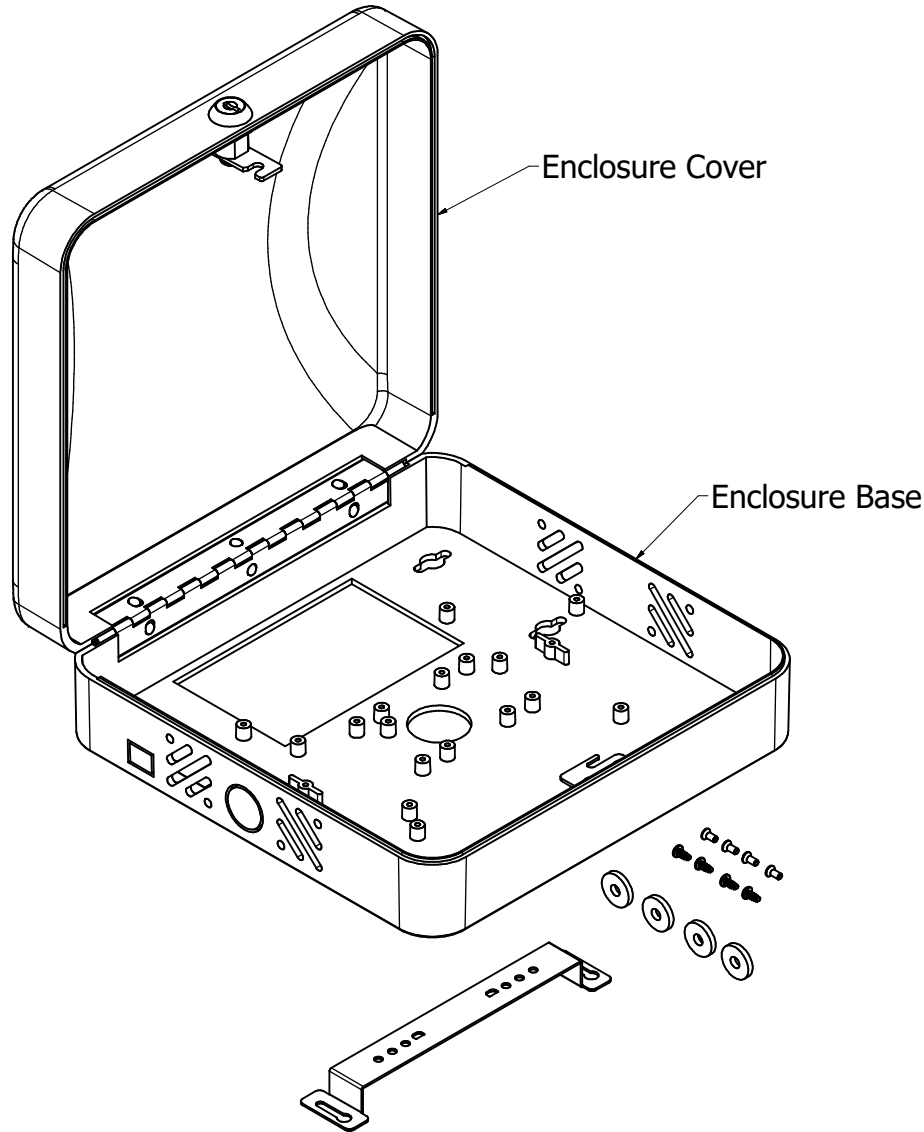


REVISION HISTORY				
ZONE	REV	DESCRIPTION	DATE	APPROVED
All	1	Revised annotation and added second page with legend	7/22/2019	DLV
All	2	Removed leaders on mounting legend	7/25/2019	DLV
All	3	Updated Views, Notes, "Includes" List; Updated Mounting Legend	7/2/2020	CAH
All	4	Updated Views	1/16/2021	CAH
All	5	Updated T-Bar	4/9/2021	CAH
All	6	Updated T-Bar and Base	5/4/2021	CAH
All	7	Updated T-Bar and Mounting Legend	9/16/2021	CAH



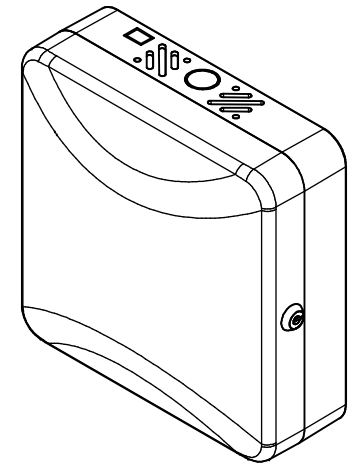
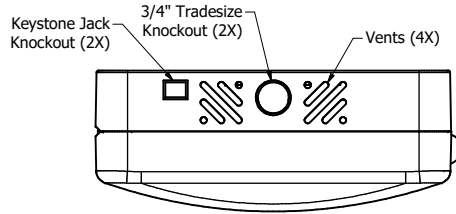
NOTE:

- Weight: 3 lbs
- Material: White Textured UL94-HB ABS Plastic
Enclosure Base
White Textured UL94-HB ABS Plastic
Enclosure Cover (For -00 SKUs Only)
Clear Textured UL94-HB ABS Plastic
Enclosure Cover (For -C SKUs Only)
18 Ga. White Powder Coated Steel
T-Bar Bracket

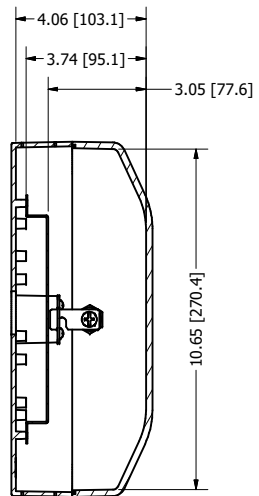
Includes:

- (1) Enclosure with Keyed Lock
- (1) T-Bar Bracket
- (4) #6 x 5/16 in. Flat Head Thread-Forming Screws for Plastic
- (4) #6 x 5/16 in. Pan Head Thread-Forming Screws for Plastic
- (4) Cushioning Washers
- (2) Keys for Lock

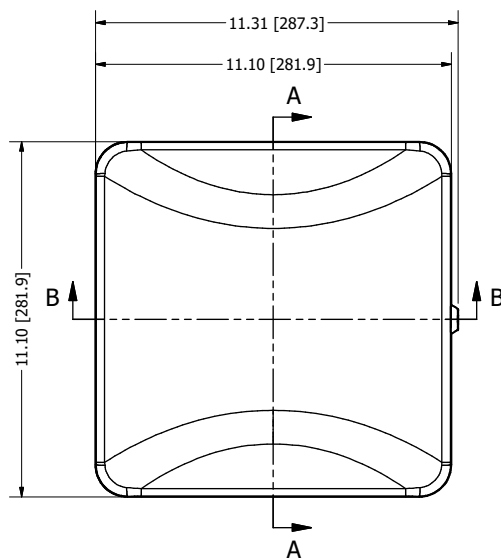
DRAWN CAH	9/16/2021	Oberon, Inc. - 1315 S. Allen St. - State College, PA 16801		
CHECKED CAH	9/16/2021	TITLE		
QA QA		Model 1015-00 & 1015-C		
MFG CAH	9/16/2021	SIZE C	DWG NO 1015-00 and C	REV 7
APPROVED CAH	9/16/2021	SCALE	SHEET 1 OF 3	
TOLERANCE:		.0 = +/- .030		
		.00 = +/- .015		
		.000 = +/- .005		



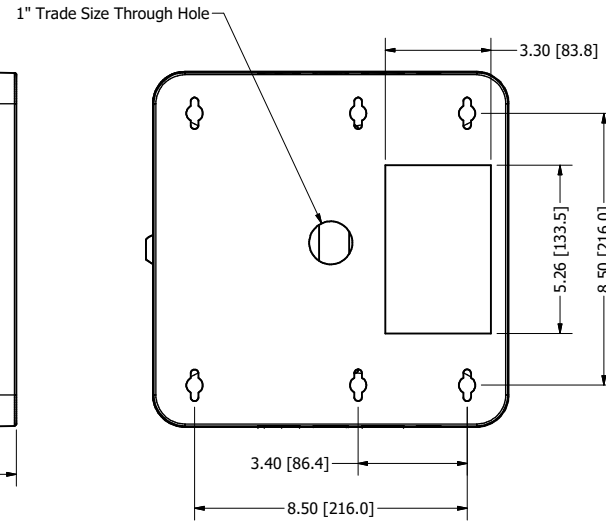
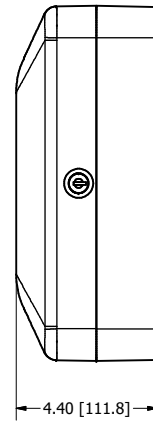
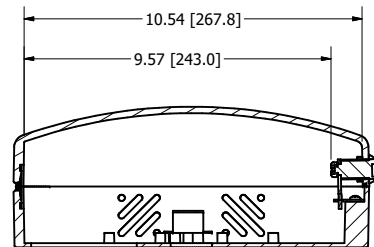
ISOMETRIC VIEW



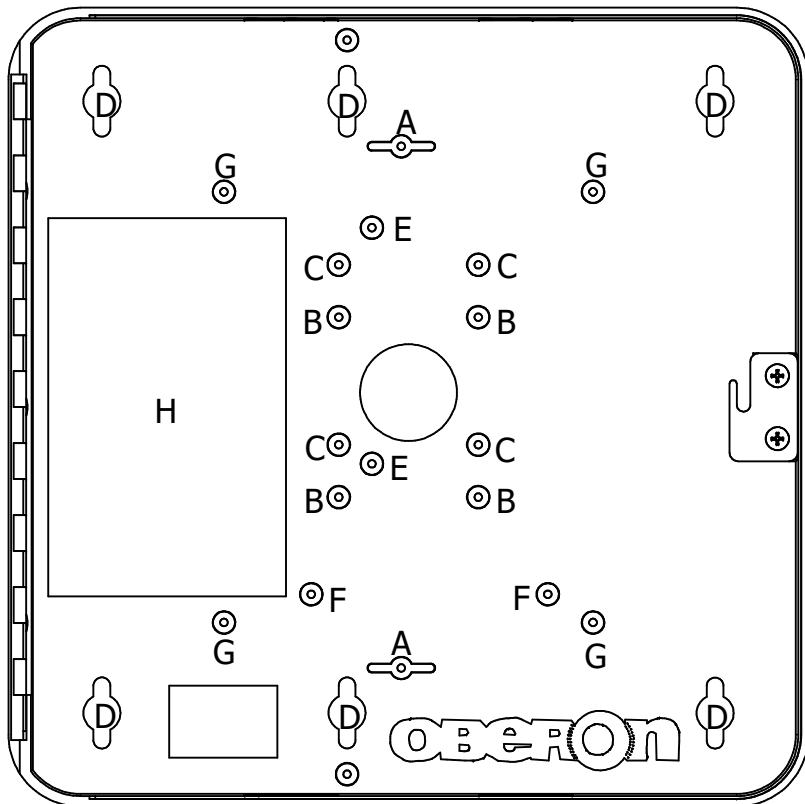
SECTION A-A
SCALE 1 / 3



SECTION B-B
SCALE 1 / 3



DRAWN	9/16/2021	Oberon, Inc. - 1315 S. Allen St. - State College, PA 16801		
CHECKED		TITLE		
CAH	9/16/2021	Model 1015-00 & 1015-C		
QA				
MFG		SIZE	DWG NO	REV
CAH	9/16/2021	C	1015-00 and C	7
APPROVED		SCALE	SHEET 2 OF 3	
CAH	9/16/2021			
TOLERANCE:	.0 = +/- .030			
	.00 = +/- .015			
	.000 = +/- .005			



Mounting Legend

- A - Oberon T-Bar
- B - Cisco AIR-AP-BRACKET-1 or -2
- C - Cisco AIR-AP-BRACKET-2 with Cisco 4800 Series APs
- D - Wall Hanging Keyhole Slots
- E - Single Gang Outlet Box Pattern for Wall Mounted APs
- F - Single Gang Outlet Box Pattern for Meraki MA-MNT-MR Mounting Plates
- G - Mounting Features for 39-1015-PLATE Accessory Mounting Plate
- H - Telecommunications Outlet Cutout

DRAWN CAH	9/16/2021	Oberon, Inc. - 1315 S. Allen St. - State College, PA 16801		
CHECKED CAH	9/16/2021	TITLE		
QA		Model 1015-00 & 1015-C		
MFG CAH	9/16/2021	SIZE C	DWG NO 1015-00 and C	REV 7
APPROVED CAH	9/16/2021	SCALE	SHEET 3 OF 3	
TOLERANCE:				
.0 = +/- .030				
.00 = +/- .015				
.000 = +/- .005				