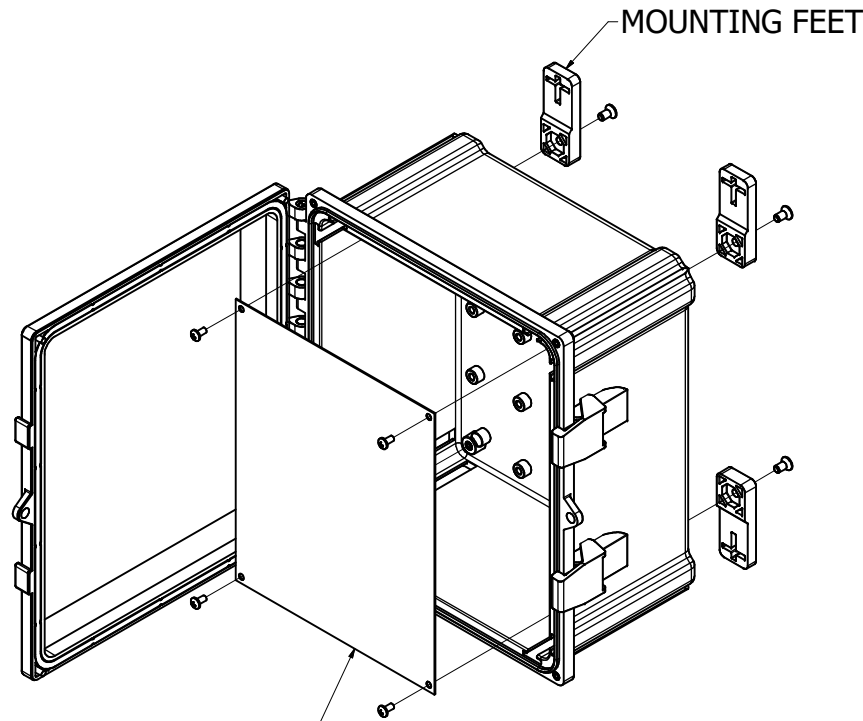


REVISION HISTORY				
ZONE	REV	DESCRIPTION	DATE	APPROVED
All	1	Released	1/11/2012	MDA
All	2	Added ABS Mounting Plate	12/4/2014	EAS
All	3	Added size chart and includes list	4/20/2016	EAS
All	4	Updated Notes, "Includes" List, and Configuration Table; Changed Title to "Model 1026-XX"	7/31/2020	CAH
All	5	Updated Notes	9/23/2020	CAH
All	6	Updated Configuration Table	6/8/2021	CAH
All	7	Updated "Includes" List	7/22/2021	CAH
All	8	Updated "Includes" List; Added Exploded View	7/27/2021	CAH
All	9	Updated "Includes" List	8/3/2021	CAH
All	10	Updated "Includes" List	1/11/2022	CAH
All	11	Updated Notes, "Includes" List, and Configuration Table	5/4/2022	CAH



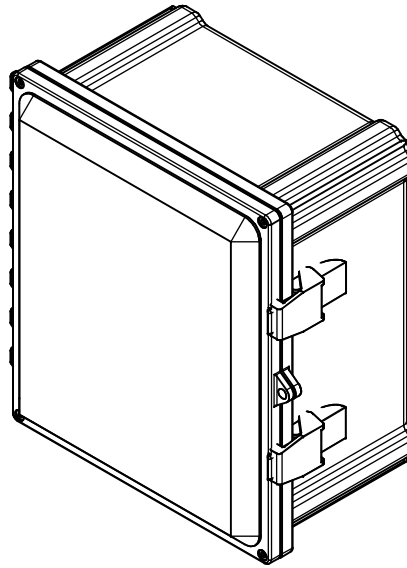
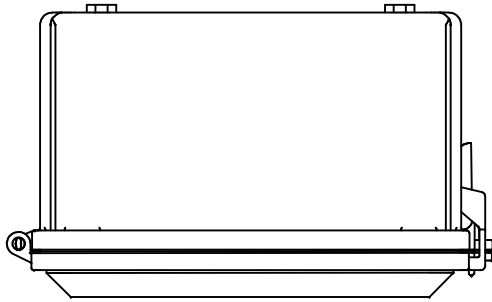
NOTES:

- Material: UL94-5VA Light Gray Polycarbonate Plastic Enclosure Base
- UL94-5VA Light Gray Polycarbonate Plastic Enclosure Door (For -00 SKUs Only)
- UL94-V0 Tinted Clear Polycarbonate Plastic Enclosure Door (For -C SKUs Only)
- UL94-5VA Black ABS Plastic Universal Mounting Panel
- UL94-5VA Light Gray Polycarbonate Plastic Mounting Feet (For All SKUs Except -18164 or -242410)

Includes:

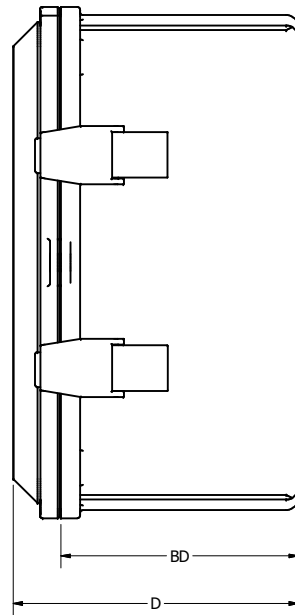
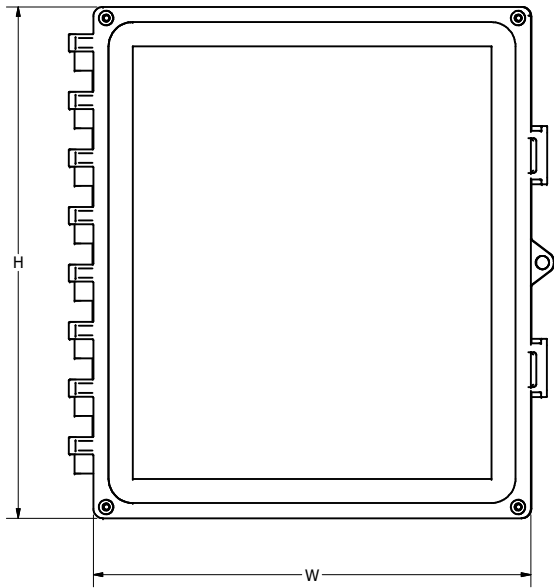
- (1) Enclosure
- (1) Universal Mounting Panel
- (4) Mounting Feet (For All SKUs Except -18164 or -242410)
- (4) 1/4"-20 x 1/2 in. Mounting Feet Screws (For All SKUs Except -18164 or -242410)
- (4) #10 x 3/8 in. Mounting Panel Screws
- (4) #10 x 5/8 in. Lid Screws

DRAWN CAH	5/4/2022	Oberon, Inc. - 1315 S. Allen St. - State College, PA 16801		
CHECKED CAH	5/4/2022	TITLE		
QA		Model 1026-XX		
MFG CAH	5/4/2022	SIZE C	DWG NO 1026-XX	REV 11
APPROVED CAH	5/4/2022	SCALE	SHEET 1 OF 2	
TOLERANCE:		.0 = +/- .030		
		.00 = +/- .015		
		.000 = +/- .005		



ISOMETRIC VIEW

Configuration Table				
MODEL NUMBER	HEIGHT (H)	WIDTH (W)	DEPTH (D)	BASE DEPTH (BD)
1026-1084-00	11.41 in.	9.41 in.	5.89 in.	4.70 in.
1026-1084-C	11.41 in.	9.41 in.	5.89 in.	4.70 in.
1026-12106-00	13.41 in.	11.41 in.	7.38 in.	6.20 in.
1026-12106-C	13.41 in.	11.41 in.	7.38 in.	6.20 in.
1026-14126-00	15.40 in.	13.40 in.	7.39 in.	6.20 in.
1026-14126-C	15.40 in.	13.40 in.	7.39 in.	6.20 in.
1026-16148-00	17.41 in.	15.41 in.	9.40 in.	8.20 in.
1026-16148-C	17.41 in.	15.41 in.	9.40 in.	8.20 in.
1026-18164-00	19.40 in.	17.41 in.	5.41 in.	4.20 in.
1026-18164-C	19.40 in.	17.41 in.	5.41 in.	4.20 in.
1026-181610-00	19.41 in.	17.41 in.	11.41 in.	10.20 in.
1026-181610-C	19.41 in.	17.41 in.	11.41 in.	10.20 in.
1026-20168-00	21.41 in.	17.41 in.	9.47 in.	8.26 in.
1026-20168-C	21.41 in.	17.41 in.	9.47 in.	8.26 in.
1026-242410-00	25.41 in.	25.41 in.	11.41 in.	10.20 in.
1026-242410-C	25.41 in.	25.41 in.	11.41 in.	10.20 in.



DRAWN	5/4/2022	Oberon, Inc. - 1315 S. Allen St. - State College, PA 16801		
CHECKED	5/4/2022	TITLE		
CAH		Model 1026-XX		
QA				
MFG	5/4/2022	SIZE	DWG NO	REV
CAH		C	1026-XX	11
APPROVED	5/4/2022	SCALE	SHEET 2 OF 2	
CAH				
TOLERANCE:	.0 = +/- .030			
	.00 = +/- .015			
	.000 = +/- .005			