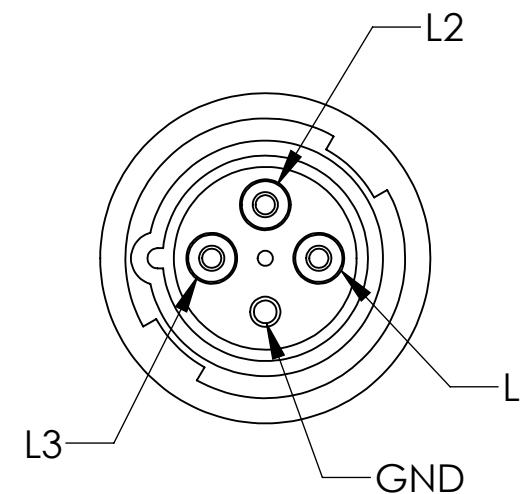


INPUT PLUG DETAIL
IEC60309 9H
100A / 3P4W



- Notes:
- 1 All Dimension are in inches [millimeters] unless otherwise specified
 - 2 Installation must conform with all related national and local codes
 - 3 All Bracket kits are sold separately. Toolless mounting buttons are included for installation in CPI cabinets.
 - 4 For more information, please contact Tech Support at techsupport@chatsworth.com

| Technical Specs: | |
|----------------------------------|------------------------------------|
| Input Ratings | |
| Nominal Voltage (VAC) | 208V 3ph |
| Input Plug / Cord | 4100P9 / IP67 10 ft. |
| Current Rating | 80A per phase |
| Power Rating (kW) | 28.82 |
| Output Ratings | |
| Nominal Voltage (VAC) | 208V |
| Current Rating | 138.5A |
| Outlet Rating | C13 10A max |
| Max Current per Breaker | 23.1A Balanced; 24A Unbalanced |
| Outlet Combination | |
| Load Segment | Refer to Simplified Wire Schematic |
| PDU Total | (48)C13 |
| Branch Circuit Protection | (6) 2Pole 30A 5kAIC Breaker |
| Surge Suppression | None |

| Features: | |
|---------------------|--|
| Local Display | (1) LCD Display - Branch Monitoring IP Setup, Alarm Notification, Auto-Oriented |
| Branch Monitoring | Current, Voltage, Power, PF per Circuit |
| Outlet Monitoring | Current, Voltage, Power, PF per Outlet |
| Monitoring Accuracy | +/- 1% True RMS |
| Ethernet Port | 10/100/1000 Mbps RJ45 |
| Remote Monitoring | GUI, SNMP v1-3, RS232, RESTful API, CLI, Power IQ |
| Remote Control | Not Supported |
| IP Consolidation | Link up to 32/48 PDUs under a single IP Address with/without electronic locks |
| USB Ports (2) | Update firmware, Opt'l Temp/Humidity Sensor |
| Controller Module | Field Replaceable |
| Auxiliary Port (2) | Opt'l Front and Rear Electric Door Lock |
| Cord Retention | Locking Receptacles |
| Mounting System | Multiple to ol-less mounting button locations, A and B (see detail) |

| Dimensions & Weights: | |
|-----------------------|--------------|
| Width (In[mm]) | 3.8(96.5) |
| Height (In[mm]) | 77.1(1957.2) |
| Depth (In[mm]) | 2.9(73.0) |
| Weight (lbs[kg]) | 22(10) |

| Regulatory Information: | |
|--------------------------------|---|
| | NEMKO Listed to UL/IEC62368-1, CE, RoHS, FCC Part 15 Class A, EN 55022 |
| Regulatory Part Number: | K47-6D53A-006-X2A |

| Environmental Conditions: | |
|---------------------------|--|
| Operating Temperature | 32 - 149°F (0 - 65°C) below 16A/breaker 32 - 112°F (0 - 50°C) 16A-24A/breaker |
| Operating Rel Humidity | 5 - 95% |
| Operating Elevation | 0-10000 ft (0-3000 m) |
| Storage Temperature | -13 - 149F (-25 - 65C) |
| Storage Rel Humidity | 5 - 95% |
| Storage Elevation | 0-5000ft (0-1500m) |

| | |
|------------------------------|--|
| Hardware Included: | (2) tool-less pre-installed mounting buttons (1) ground kit cable |
| Warranty: | 3 yrs. Standard, 2 add'l yrs Opt'l |
| Optional Accessories: | Temp & Humidity Sensor, Electronic Locks |

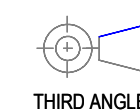
©2023 Chatsworth Products, Inc.
All rights reserved.

All products quoted are subject to availability based on manufacturing capacity and shipping dates should be considered estimates only.

While every effort has been made to ensure the accuracy of all information, CPI does not accept liability for any errors or omissions and reserves the right to change information and descriptions of listed services and products.



eConnect Vertical PDU, Monitored Pro,
IEC 60309 100A 3P+E, 10ft (3m),
208V Three Phase Input, 100A,
(48) C13 Outlets, 208V Output



EA-47B4-X ISS

SHEET 1 OF 1