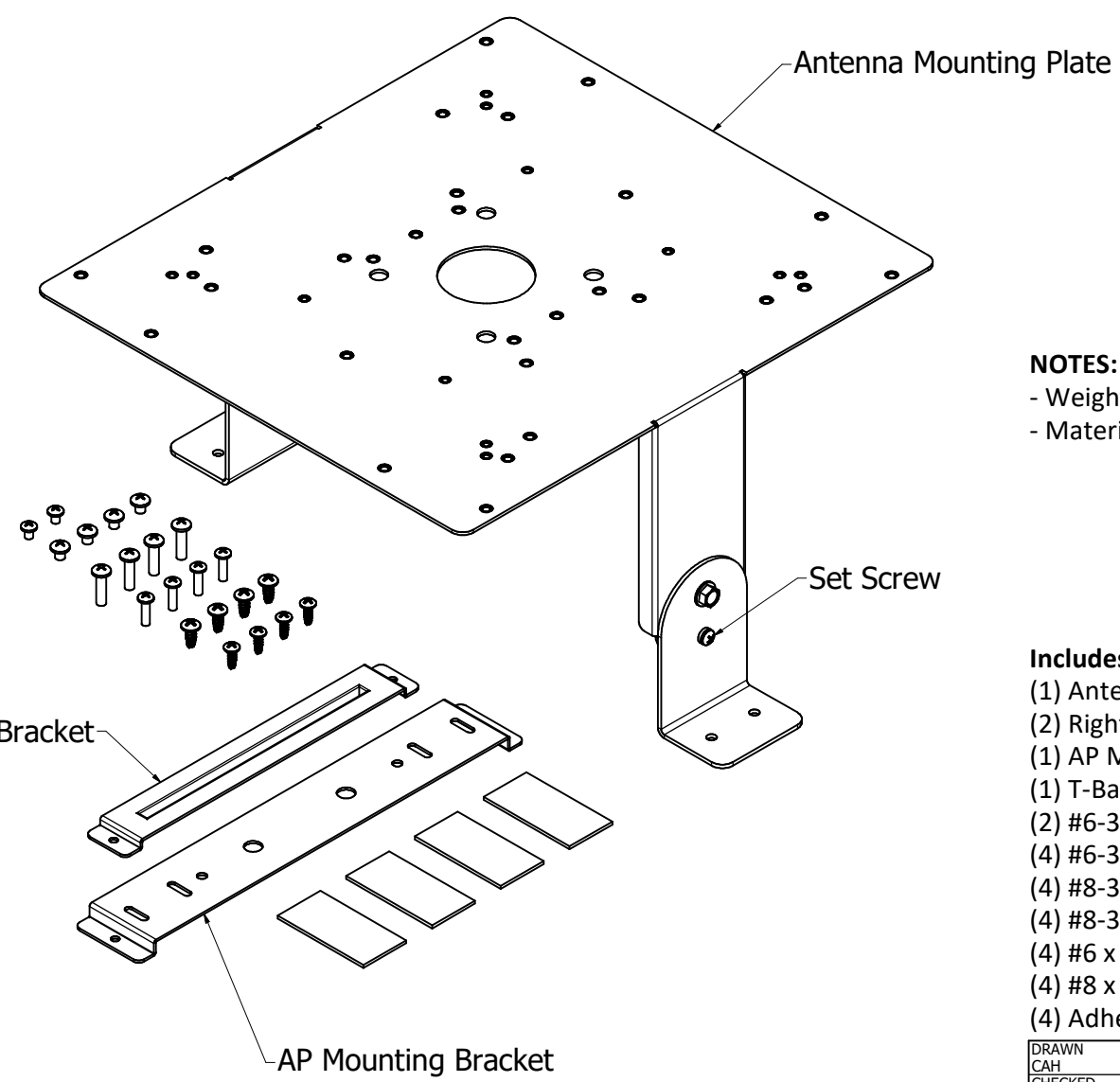


REVISION HISTORY				
ZONE	REV	DESCRIPTION	DATE	APPROVED
All	1	Released	1/14/2022	CAH
Pg. 4	2	Updated Legend	1/20/2022	CAH
All	3	Updated Views, "Includes" List	1/25/2022	CAH
All	4	Updated Views	3/14/2022	CAH



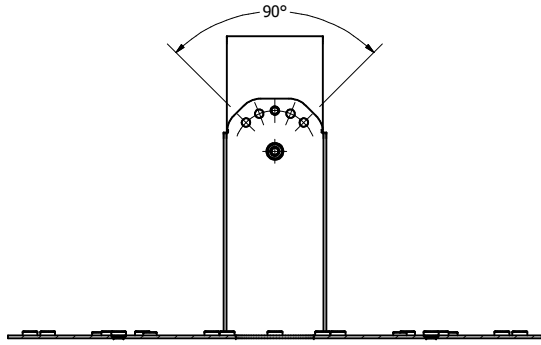
NOTES:

- Weight: 3 lbs.
- Material: 16 Ga. (.060") White Powder Coated Steel
Antenna Mounting Plate
- 14 Ga. (.075") White Powder Coated Steel
Right-Angle Mounts
- 18 Ga. (.048") White Powder Coated Steel AP
Mounting Bracket
- 18 Ga. (.052") Galvanized Steel T-Bar Bracket

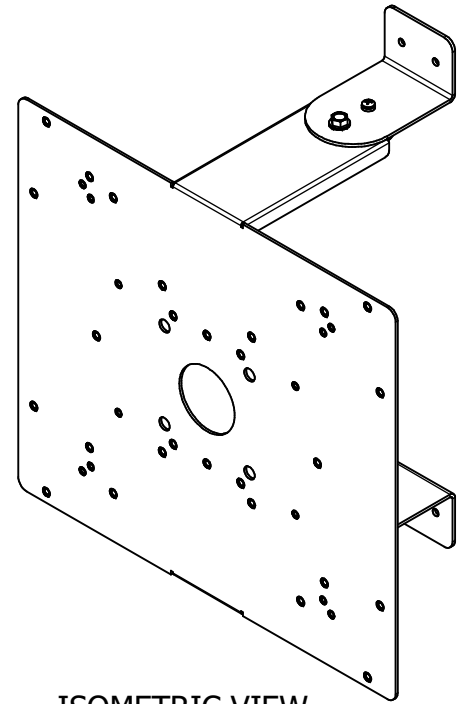
Includes:

- (1) Antenna Mounting Plate
- (2) Right-Angle Mounts
- (1) AP Mounting Bracket
- (1) T-Bar Bracket
- (2) #6-32 x 3/16" SS Pan Head Machine Screws
- (4) #6-32 x 1/2" SS Pan Head Machine Screws
- (4) #8-32 x 3/16" SS Pan Head Machine Screws
- (4) #8-32 x 5/8" SS Pan Head Machine Screws
- (4) #6 x 3/8" SS Pan Head Thread-Forming Screws
- (4) #8 x 3/8" SS Pan Head Thread-Forming Screws
- (4) Adhesive Backed Mushroom-Head Fasteners

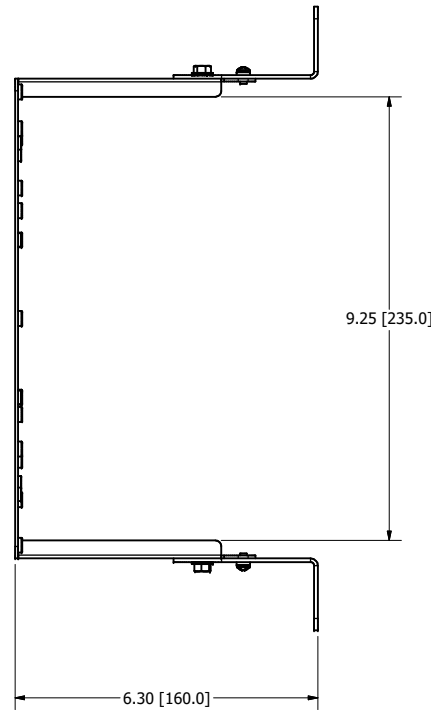
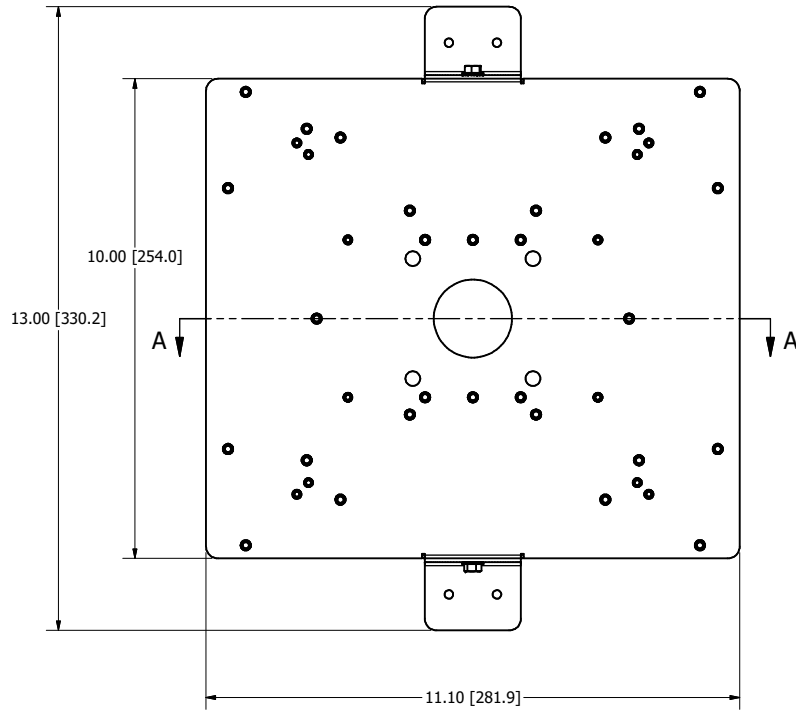
DRAWN CAH	3/14/2022	Oberon, Inc. - 1315 S. Allen St. - State College, PA 16801		
CHECKED CAH	3/14/2022	TITLE		
QA		Model 39-3001-ANTPLATE		
MFG CAH	3/14/2022	SIZE C	DWG NO 39-3001-ANTPLATE	REV 4
APPROVED CAH	3/14/2022	SCALE	SHEET 1 OF 4	
TOLERANCE:	.0 = +/- .030 .00 = +/- .015 .000 = +/- .005			



SECTION A-A
SCALE 1 / 2

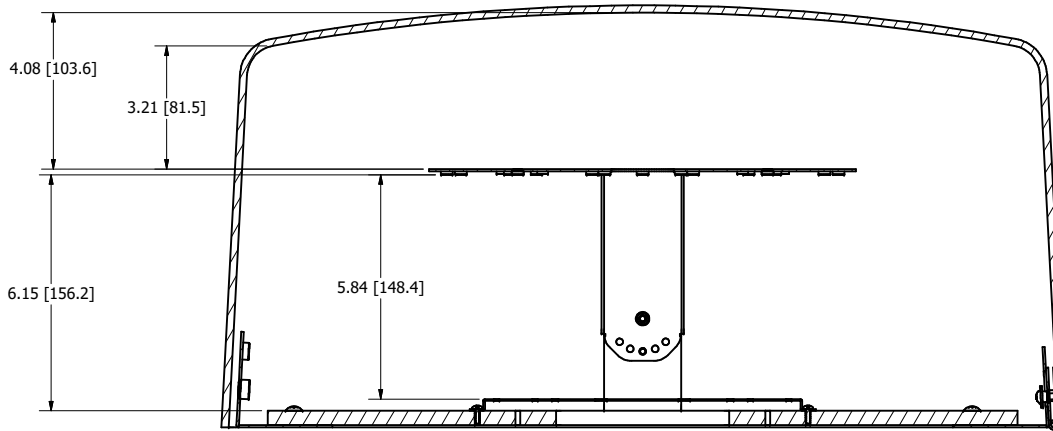
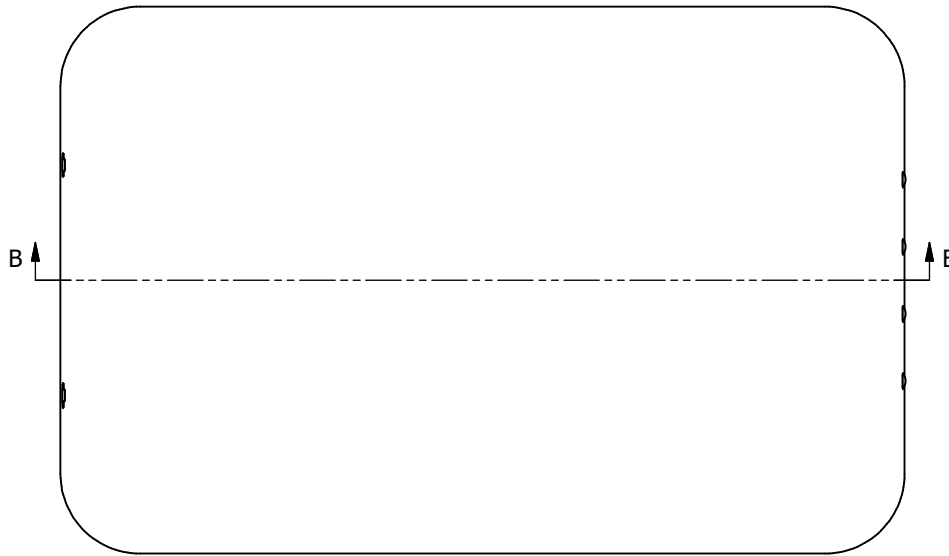


ISOMETRIC VIEW



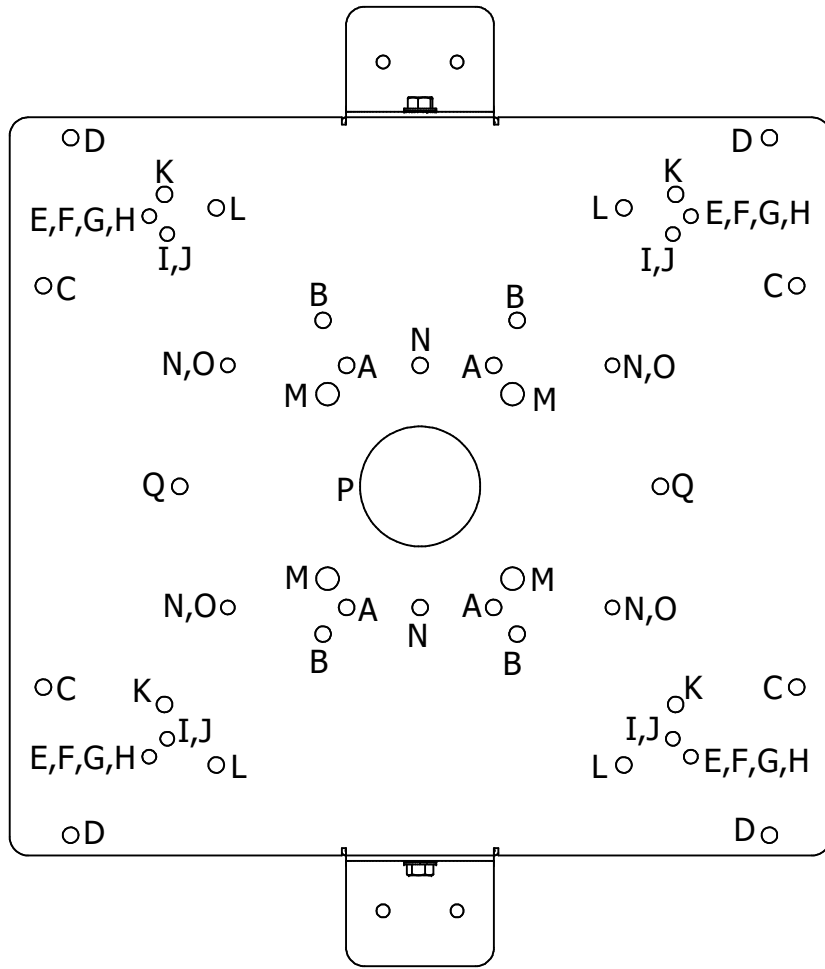
DRAWN CAH	3/14/2022	Oberon, Inc. - 1315 S. Allen St. - State College, PA 16801		
CHECKED CAH	3/14/2022	TITLE		
QA		Model 39-3001-ANTPLATE		
MFG CAH	3/14/2022	SIZE C	DWG NO 39-3001-ANTPLATE	REV 4
APPROVED CAH	3/14/2022	SCALE	SHEET 2 OF 4	
TOLERANCE:	.0 = +/- .030 .00 = +/- .015 .000 = +/- .005			

33-3001-ANTPLATE Shown with 3001-00 (Not Included)



SECTION B-B
SCALE 1 / 2.5

DRAWN CAH	3/14/2022	Oberon, Inc. - 1315 S. Allen St. - State College, PA 16801		
CHECKED CAH	3/14/2022	TITLE		
QA		Model 39-3001-ANTPLATE		
MFG CAH	3/14/2022	SIZE C	DWG NO 39-3001-ANTPLATE	REV 4
APPROVED CAH	3/14/2022	SCALE		
TOLERANCE:	.0 = +/- .030 .00 = +/- .015 .000 = +/- .005	SHEET 3 OF 4		



Mounting Plate Legend:

- A - Cisco AIR-AP-BRACKET-2
- B - Cisco AIR-AP-BRACKET-1
- C - Cisco Antenna AIR-ANT2566P4W-R
- D - Cisco Antenna AIR-ANT2566D4M-R
- E - Aruba Networks Antenna AP-ANT-17
- F - Aruba Networks Antenna AP-ANT-18
- G - Aruba Networks Antenna AP-ANT-25
- H - Aruba Networks Antenna AP-ANT-35
- I - Aruba Networks Antenna AP-ANT-28
- J - Aruba Networks Antenna AP-ANT-38
- K - Aruba Networks Antenna AP-ANT-45
- L - Aruba Networks Antenna AP-ANT-48
- M - Meraki MA-ANT-3-E5/6
- N - Single Gang Hole Spacing
- O - Meraki Mounting Bracket "E" Hole and Obround
- P - 1" Center Post Antennas
- Q - T-Bar Mount

DRAWN CAH	3/14/2022	Oberon, Inc. - 1315 S. Allen St. - State College, PA 16801		
CHECKED CAH	3/14/2022	TITLE		
MFG CAH	3/14/2022	Model 39-3001-ANTPLATE		
APPROVED CAH	3/14/2022	SIZE C	DWG NO 39-3001-ANTPLATE	REV 4
TOLERANCE:	.0 = +/- .030 .00 = +/- .015 .000 = +/- .005	SCALE	SHEET 4 OF 4	