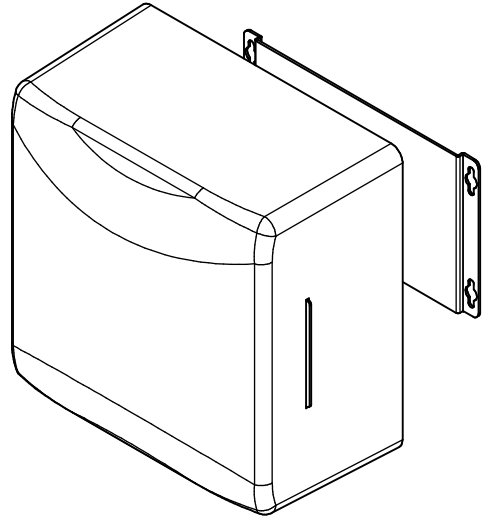
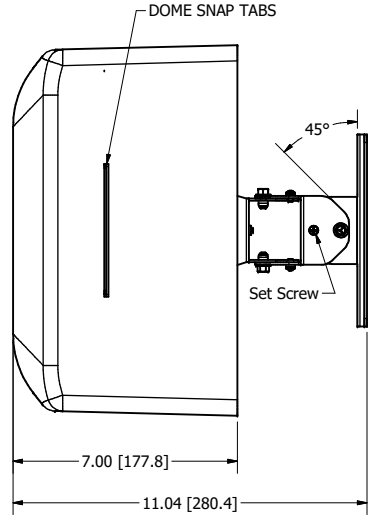
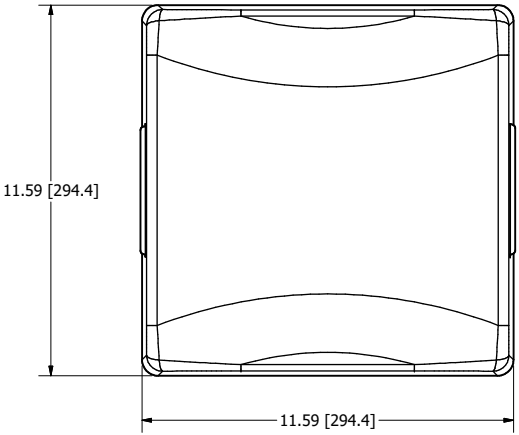
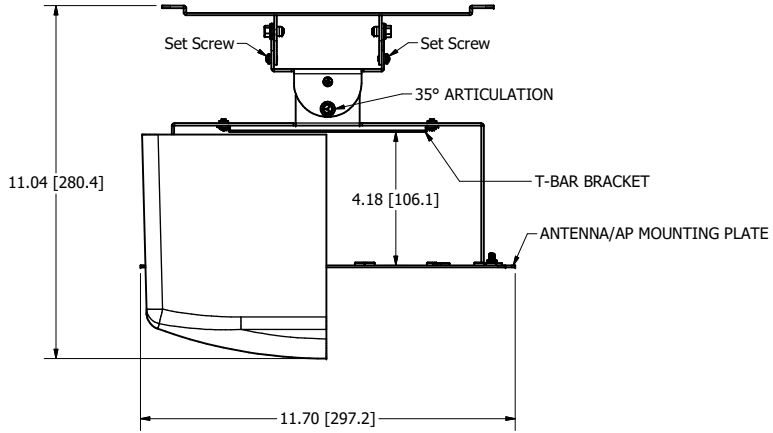


REVISION HISTORY				
ZONE	REV	DESCRIPTION	DATE	APPROVED
All	1	Released	8/4/2021	CAH



ISOMETRIC VIEW



NOTES:

- Dome Shown with 1013-00 (Not Included)
- Weight: 2 lbs.
- Material: UL94 V-0 White Haircell Textured Boltaron 6530 Dome 0.125" Starting Thickness

Includes:

- (1) Dome

DRAWN CAH	8/4/2021	Oberon, Inc. - 1315 S. Allen St. - State College, PA 16801		
CHECKED CAH	8/4/2021	TITLE		
QA		Model 33-1013-COVER		
MFG CAH	8/4/2021	SIZE C	DWG NO 33-1013-COVER	REV 1
APPROVED CAH	8/4/2021	SCALE	SHEET 1 OF 1	
TOLERANCE:		.0 = +/- .030		
		.00 = +/- .015		
		.000 = +/- .005		