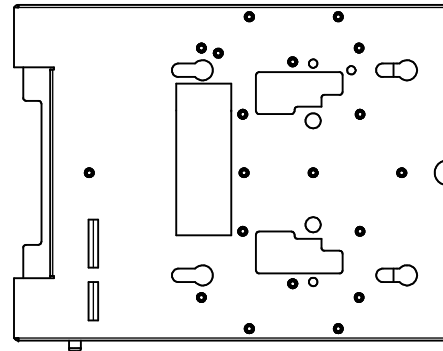
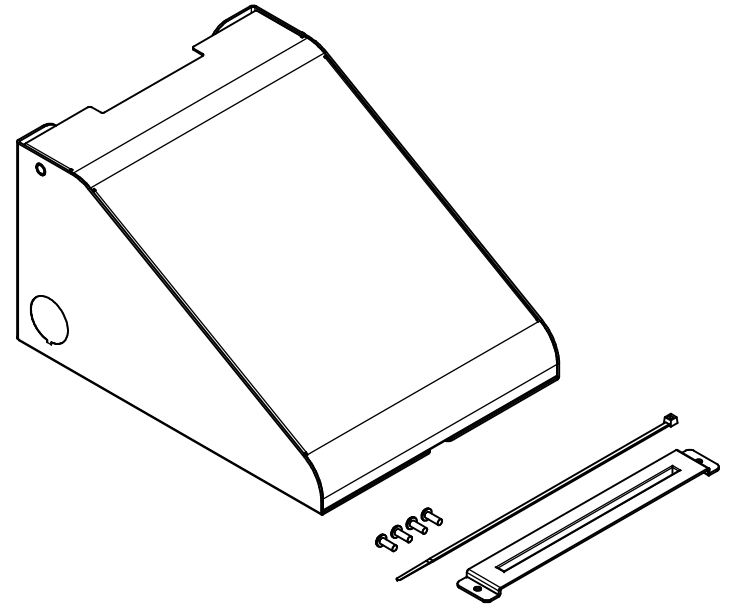
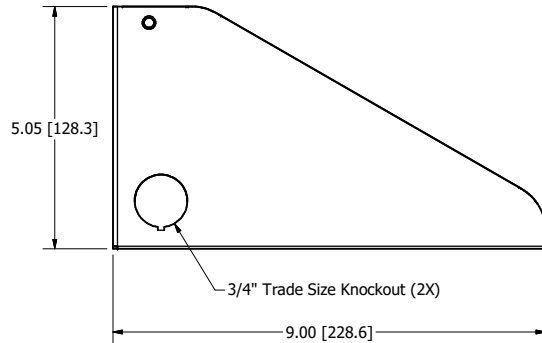
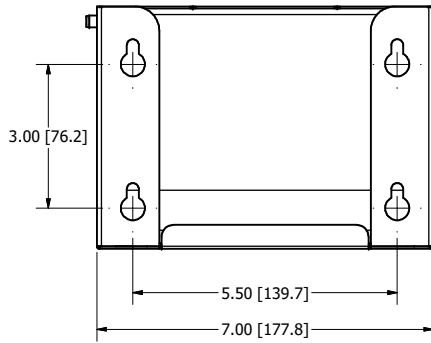


| REVISION HISTORY |     |  |            |          |
|------------------|-----|--|------------|----------|
| ZONE             | REV | DESCRIPTION  | DATE       | APPROVED |
| All              | 1   | Released   | 7/24/2019  | DLV      |
| All              | 2   | Updated Views, "Includes" List   | 12/12/2019 | CAH      |
| All              | 3   | Updated "Includes" List, Mounting Legend, Views  | 3/11/2020  | CAH      |
| All              | 4   | Updated Configuration Table  | 3/18/2020  | CAH      |
| All              | 5   | Updated Views, "Includes" List, Configuration Table  | 4/2/2020   | CAH      |
| All              | 6   | Removed Configuration Table; Updated Notes and "Includes" List                                       | 1/5/2021   | CAH      |
| All              | 7   | Updated Views  | 5/4/2021   | CAH      |
| All              | 8   | Added 8x11" Hole Pattern Template; Removed Hole Pattern Template from "Includes" List; Updated Views | 9/21/2021  | CAH      |



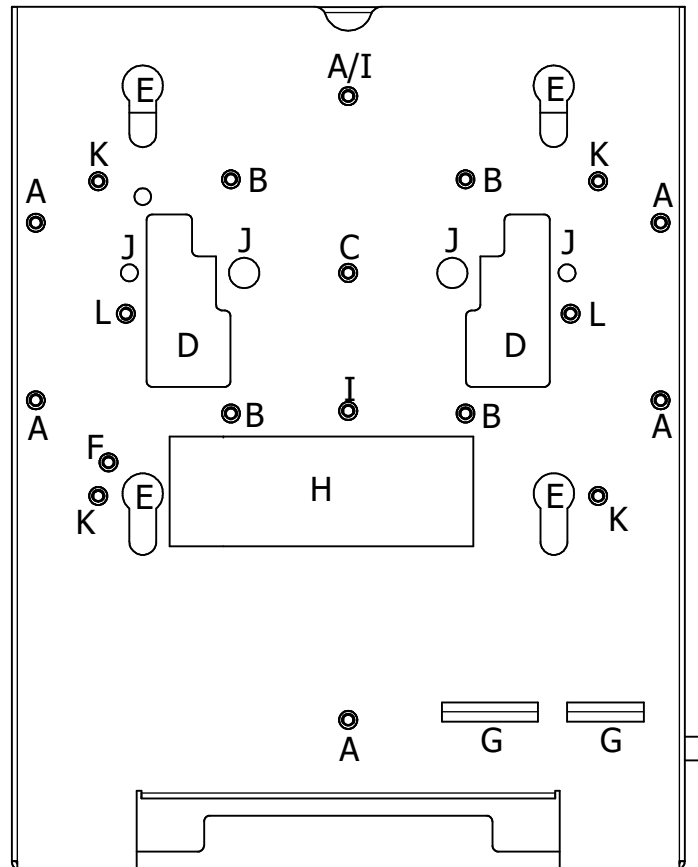
**NOTES:**

- Weight: 3 lbs
- Material: 20 Gauge Steel Right-Angle Wall Mount with White or Black Powder Coat

**Includes:**

- (1) Right-Angle Wall Mount
- (1) T-bar Bracket
- (4) #6-32 x 3/8 in. Screws
- (1) Cable Tie

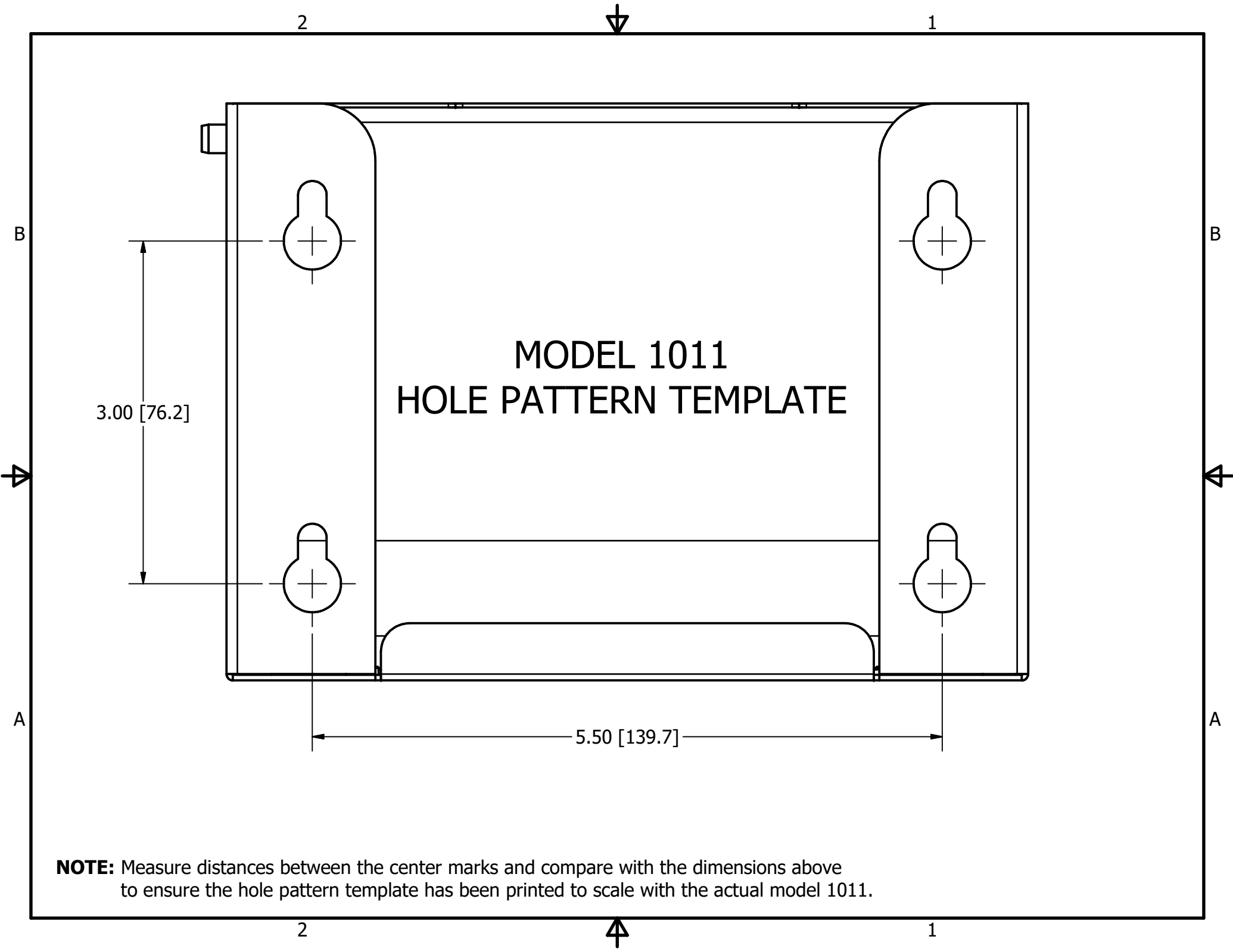
|            |     |                 |  |            |
|------------|-----|-----------------|--|------------|
| DRAWN      | CAH | 5/4/2021        | Oberon, Inc. - 1315 S. Allen St. - State College, PA 16801 |            |
| CHECKED    | CAH | 5/4/2021        | TITLE  |            |
| QA         |     |                 | Model 1011-00-XX   |            |
| MFG        | CAH | 5/4/2021        | SIZE   | DWG NO     |
| APPROVED   | CAH | 5/4/2021        | C  | 1011-00-XX |
| TOLERANCE: |     | .0 = +/- .030   | SCALE  | REV        |
|            |     | .00 = +/- .015  |  | 8          |
|            |     | .000 = +/- .005 |  |            |
|            |     |                 | SHEET 1 OF 3   |            |



**AP Mounting Legend**

- A - Oberon T-Bar Bracket Holes
- B - Cisco AIR-AP-BRACKET-2 Holes
- C - Aruba 3XX Series Set Screw Hole
- D - Aruba 3XX Series Mounting Features
- E - Key Slots for Mounting Cisco APs
- F - Cisco AP 2800/3800/4800/91XX Series Set Screw Hole
- G - Cisco Security Tie Slots
- H - Aruba Data Port Access
- I - Single Gang Outlet Box
- J - Aruba 5XX Series Mounting Holes
- K - Single Gang Outlet Box for Meraki MA-MNT-MR Mounting Plates
- L - Meraki MA-MNT-MR-14 Mounting Plate Holes

|                 |  |  |                      |          |
|-----------------|--|--|----------------------|----------|
| DRAWN<br>CAH    | 5/4/2021   | Oberon, Inc. - 1315 S. Allen St. - State College, PA 16801 |                      |          |
| CHECKED<br>CAH  | 5/4/2021   | TITLE  |                      |          |
| QA              |  | Model 1011-00-XX   |                      |          |
| MFG<br>CAH      | 5/4/2021   | SIZE<br>C  | DWG NO<br>1011-00-XX | REV<br>8 |
| APPROVED<br>CAH | 5/4/2021   | SCALE  | SHEET 2 OF 3         |          |
| TOLERANCE:      | .0 = +/- .030<br>.00 = +/- .015<br>.000 = +/- .005 |  |                      |          |



MODEL 1011  
HOLE PATTERN TEMPLATE

3.00 [76.2]

5.50 [139.7]

**NOTE:** Measure distances between the center marks and compare with the dimensions above to ensure the hole pattern template has been printed to scale with the actual model 1011.