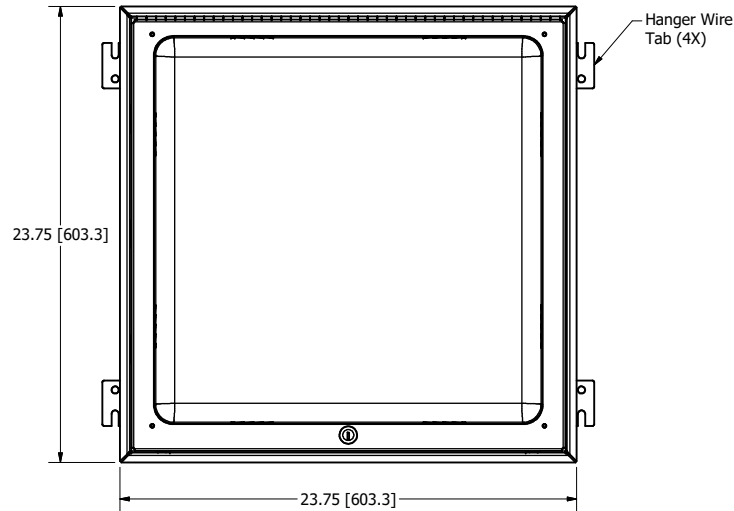
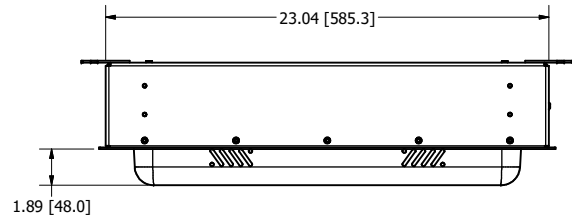
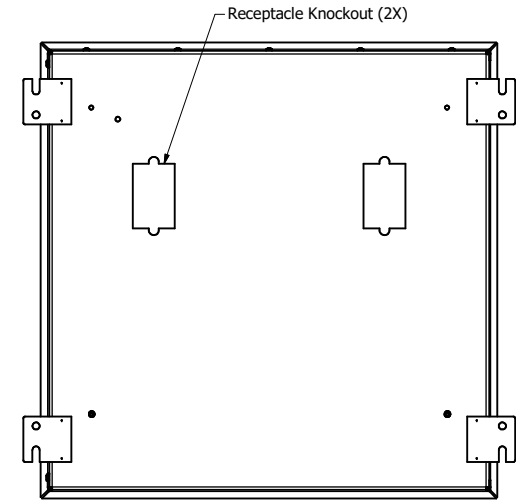
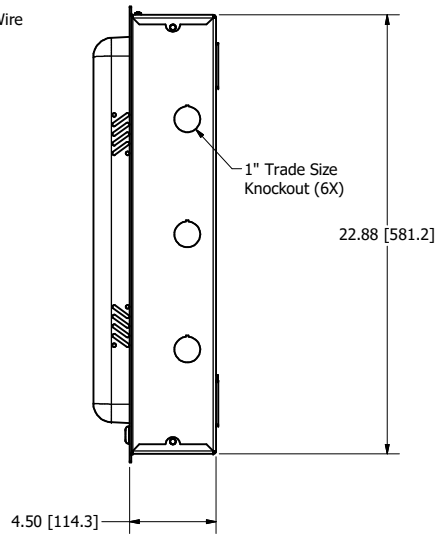


ENCLOSURE BACKBOX

REVISION HISTORY				
ZONE	REV	DESCRIPTION	DATE	APPROVED
All	1	Released	12/18/2019	CAH
All	2	Updated Views, "Includes" List, and Notes.	3/6/2020	CAH
All	3	Updated material list, updated enclosure features	8/13/2020	RLC
All	4	Added T-Bars and Mounting Features	9/4/2020	RLC



FRONT VIEW



BACK VIEW

NOTES:

- Weight: 30 lbs.
- Material: 10 Ga. White Power Coated Aluminum Backbox
10 Ga. White Powder Coated Aluminum Door
12 Ga. Aluminum Mounting Plate
UL 94-5VA White ABS Plastic Dome

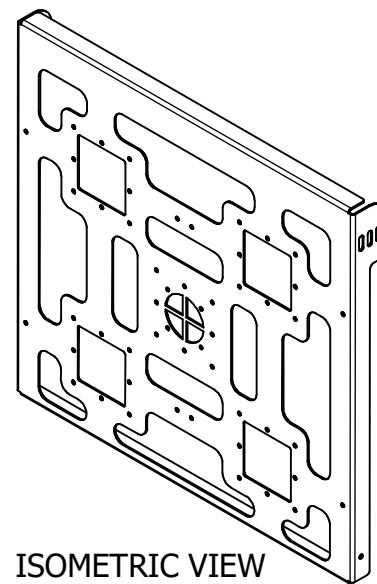
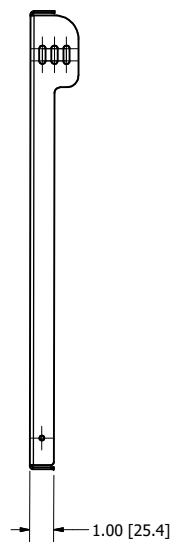
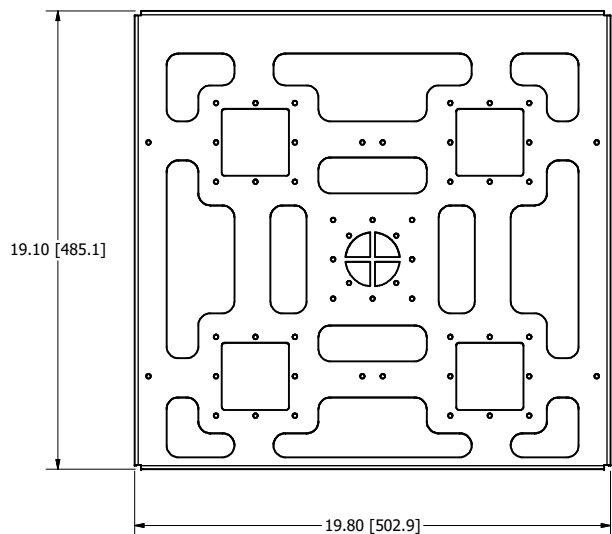
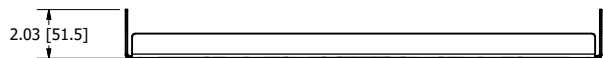
Includes: (See Page 3)

- UL Listed File No. E348543
- OSHPD Approved: File No. OPA-1638-10

NOTE: All materials used in the construction of Oberon products must be RoHS compliant and meet RoHS2 Directive 2011/65/EU. Contact Oberon engineering if RoHS compliant materials are not available.

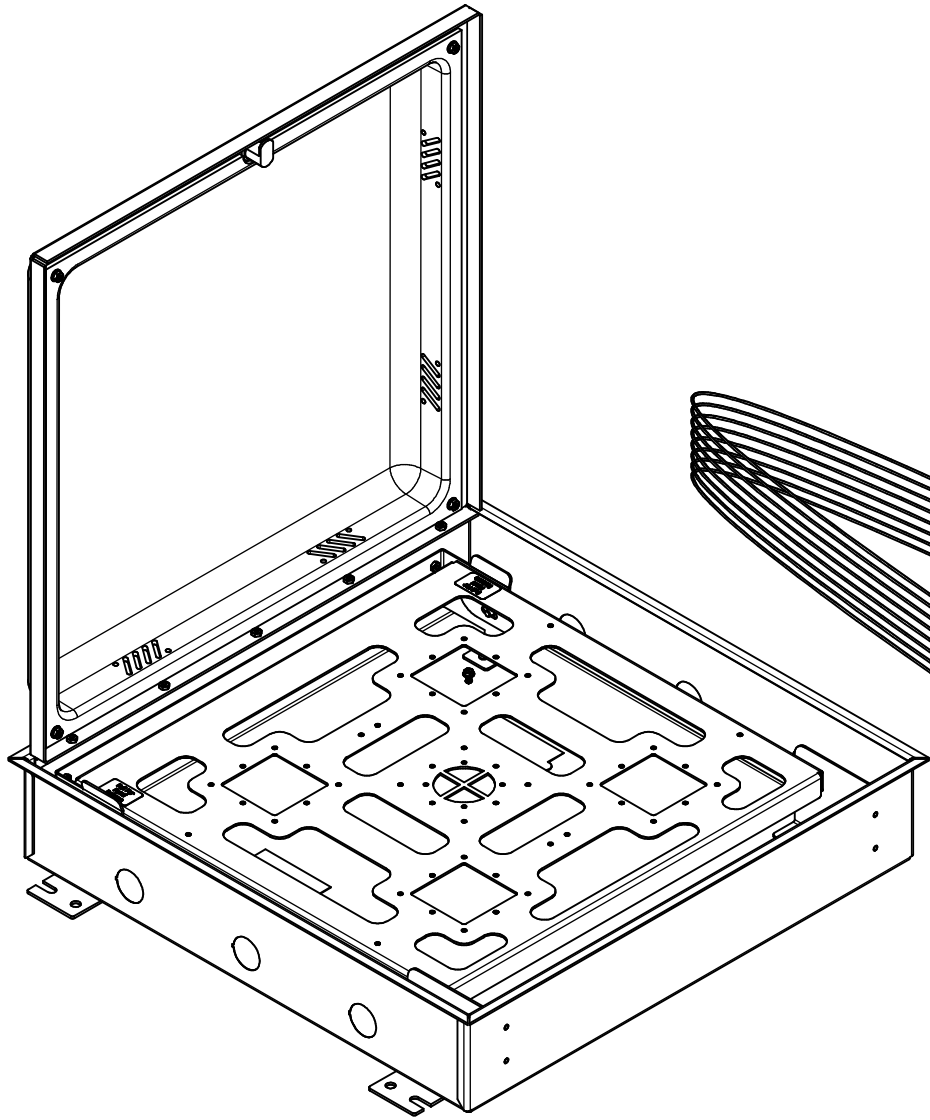
DRAWN CAH	3/6/2020	Oberon, Inc. - 1315 S. Allen St. - State College, PA 16801		
CHECKED RLC	8/13/2020	TITLE		
QA		Model 1074-SC-04-DOME		
MFG RLC	8/13/2020	SIZE C	DWG NO 1074-SC-04-DOME	REV 4
APPROVED RLC	8/13/2020	SCALE	SHEET 1 OF 3	
TOLERANCE:	.0 = +/- .030 .00 = +/- .015 .000 = +/- .005			

MOUNTING PLATE



NOTE: All materials used in the construction of Oberon products must be RoHS compliant and meet RoHS2 Directive 2011/65/EU. Contact Oberon engineering if RoHS compliant materials are not available.

DRAWN CAH	3/6/2020	Oberon, Inc. - 1315 S. Allen St. - State College, PA 16801		
CHECKED RLC	8/13/2020	TITLE		
QA		Model 1074-SC-04-DOME		
MFG RLC	8/13/2020	SIZE C	DWG NO 1074-SC-04-DOME	REV 4
APPROVED RLC	8/13/2020	SCALE	SHEET 2 OF 3	
TOLERANCE:	.0 = +/- .030 .00 = +/- .015 .000 = +/- .005			



INSTALLATION
INSTRUCTIONS

Includes:

- (1) Enclosure with Specified Door
- (1) Mounting Plate
- (4) Dual Cable Egress Firestop Grommets
- (4) 1" Trade Size Conduit Connectors
- (4) T-Bar Mounting Brackets
- (8) Hanger Wires
- (2) Keys For Lock
- (1) Grounding Screw
- (1) Installation Instructions

DRAWN CAH	3/6/2020	Oberon, Inc. - 1315 S. Allen St. - State College, PA 16801		
CHECKED RLC	8/13/2020	TITLE		
QA		Model 1074-SC-04-DOME		
MFG RLC	8/13/2020	SIZE C	DWG NO 1074-SC-04-DOME	REV 4
APPROVED RLC	8/13/2020	SCALE	SHEET 3 OF 3	
TOLERANCE:	.0 = +/- .030 .00 = +/- .015 .000 = +/- .005			