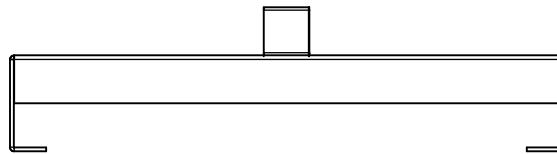
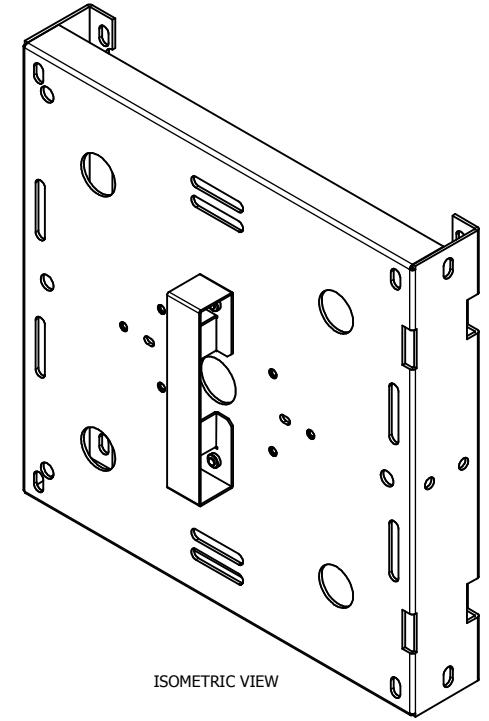
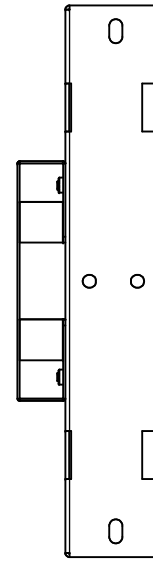
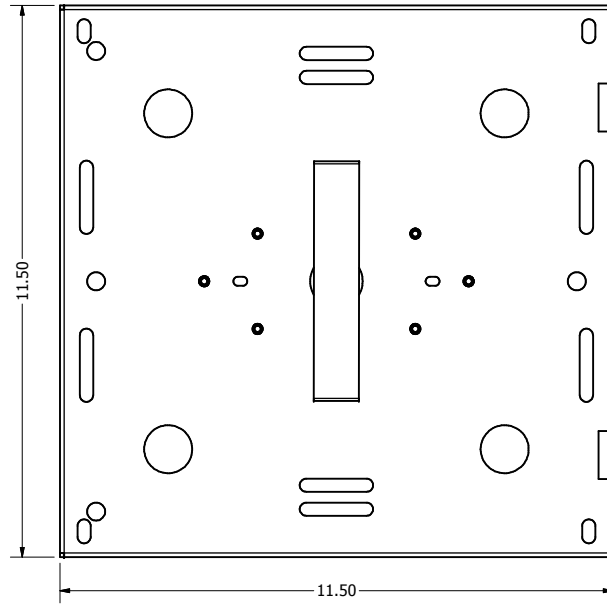
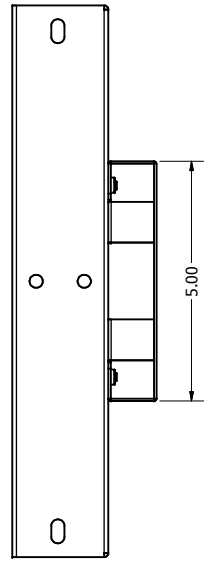
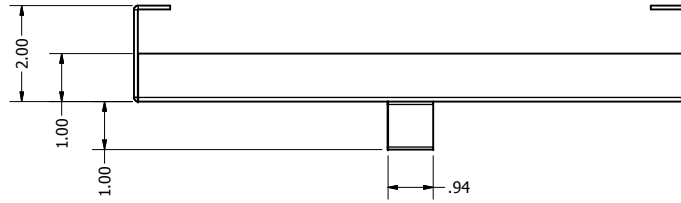


REVISION HISTORY				
ZONE	REV	DESCRIPTION	DATE	APPROVED
All	1	Released	2/23/2016	RLC



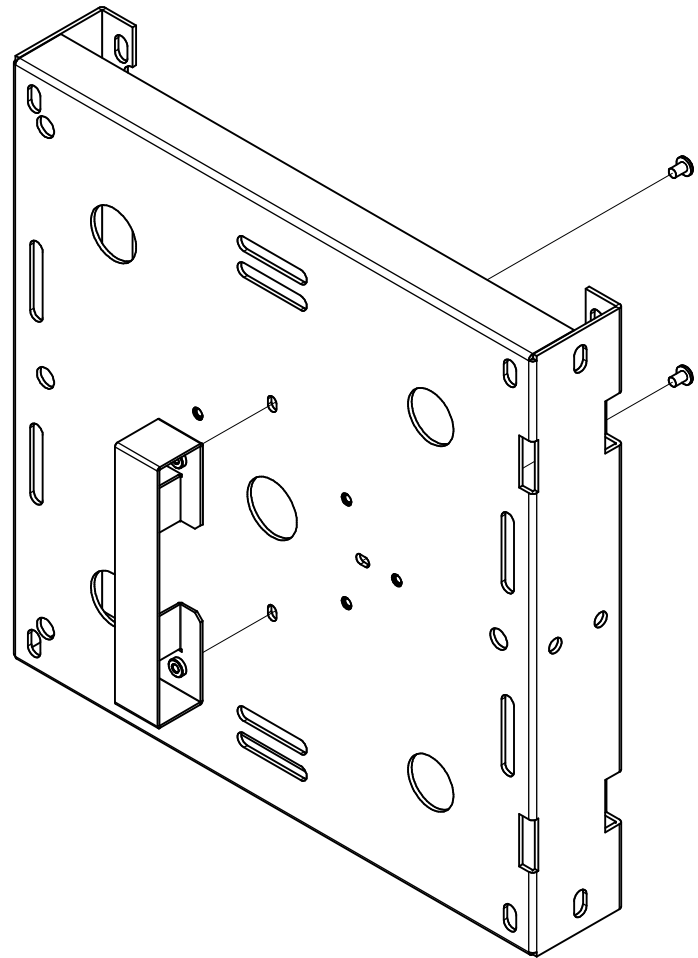
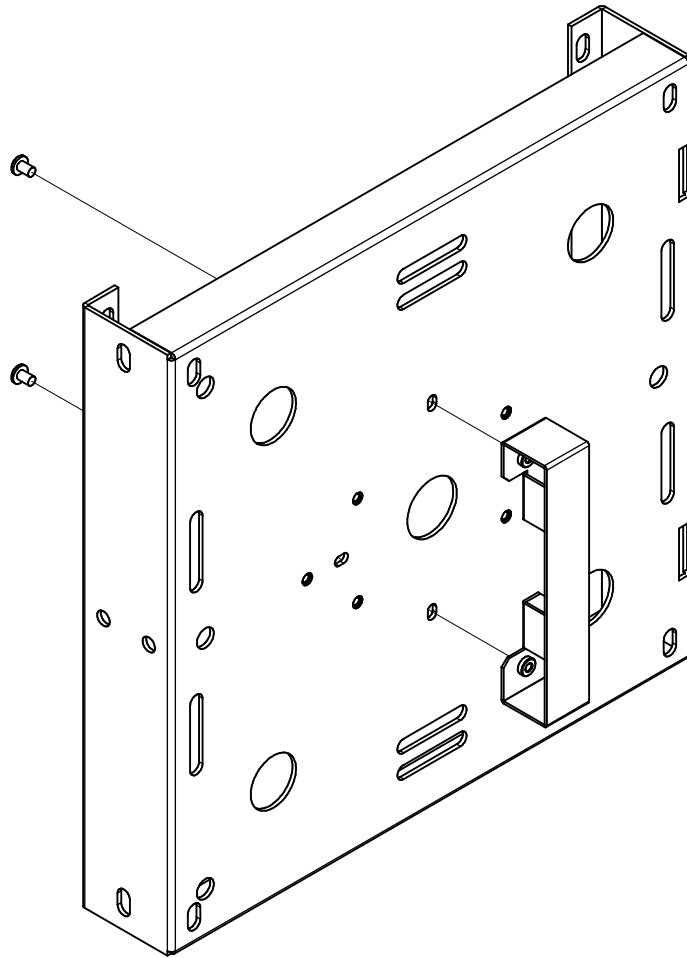
NOTE:

- Material: Base: 12 Gauge (.080") Aluminum
T-Bar Mount: 18 Gauge (.048") Steel
- Finish: Cardinal C031-WH120 Powder Coat
- Color: White Texture Semi-Gloss

NOTE: All materials used in the construction of Oberon products must be RoHS compliant and meet RoHS2 Directive 2011/65/EU. Contact Oberon engineering if RoHS compliant materials are not available.

DRAWN RLC	2/23/2016	Oberon, Inc. - 1315 S. Allen St. - State College, PA 16801		
CHECKED RLC	2/23/2016	TITLE		
QA		Model 910-00 - Universal AP Mount		
MFG RLC	2/23/2016	SIZE C	DWG NO 2647	REV 1
APPROVED RLC	2/23/2016	SCALE	SHEET 1 OF 2	
TOLERANCE:	.0 = +/- .030 .00 = +/- .015 .000 = +/- .005			

ISOMETRIC VIEWS



DRAWN	RLC	2/23/2016	Oberon, Inc. - 1315 S. Allen St. - State College, PA 16801		
CHECKED	RLC	2/23/2016	TITLE		
QA			Model 910-00 - Universal AP Mount		
MFG	RLC	2/23/2016	SIZE	DWG NO	REV
APPROVED	RLC	2/23/2016	C	2647	1
TOLERANCE:		.0 = +/- .030	SCALE		SHEET 2 OF 2
		.00 = +/- .015			
		.000 = +/- .005			