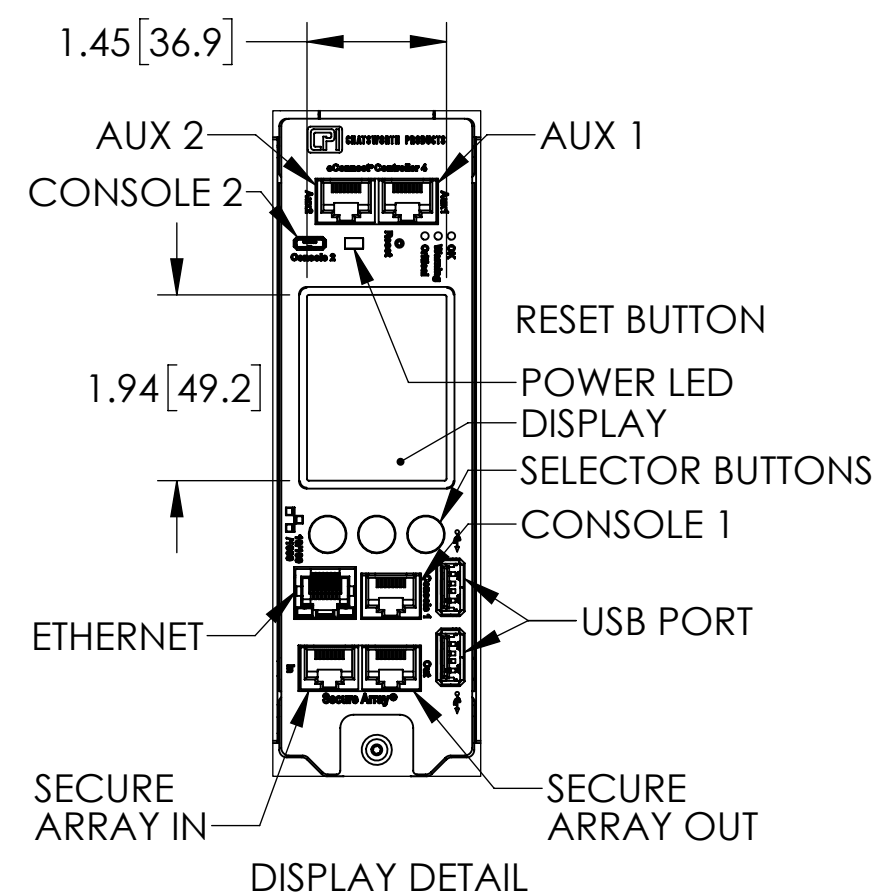


Technical Specs:	
Input Ratings	
Nominal Voltage (VAC)	208V
Input Plug / Cord	Terminal Block (3 Pole) / No Cord
Current Rating	80A
Power Rating (kW)	28.8
Output Ratings	
Nominal Voltage (VAC)	208V
Current Rating	138.5A
Outlet Rating	C13 10A max, C19 16A max
Max Current per Breaker	24A
Outlet Combination	
Load Segment	Refer to Simplified Wire Schematic
PDU Total	(30)C13 (12)C19
Branch Circuit Protection	
Surge Suppression	(6) 2Pole 30A 5kAIC Breaker
Surge Suppression	
Surge Suppression	None

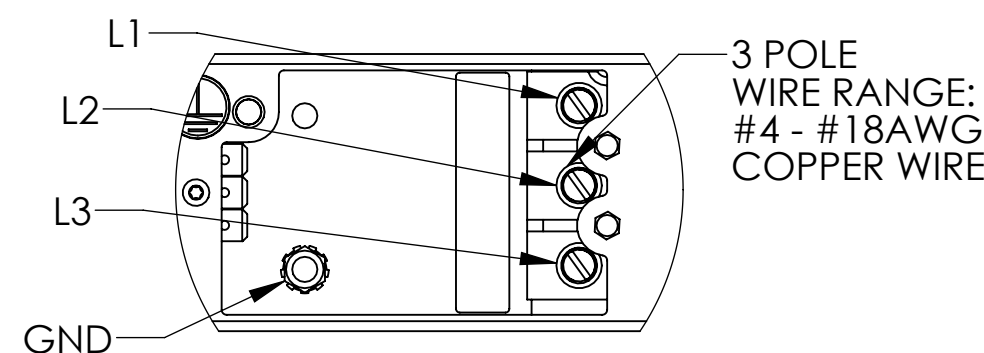
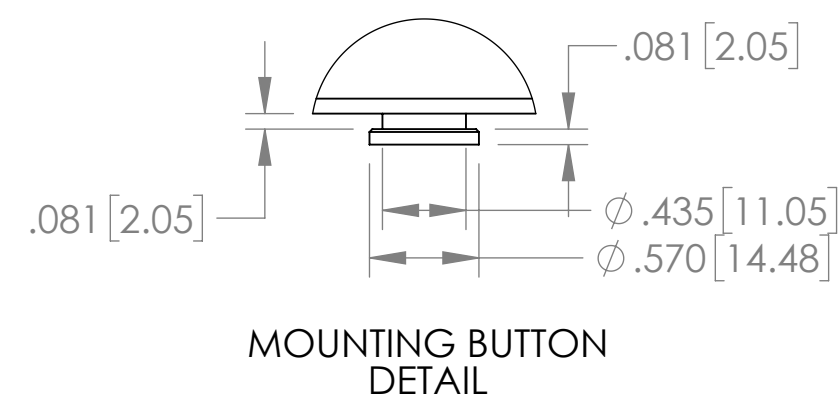
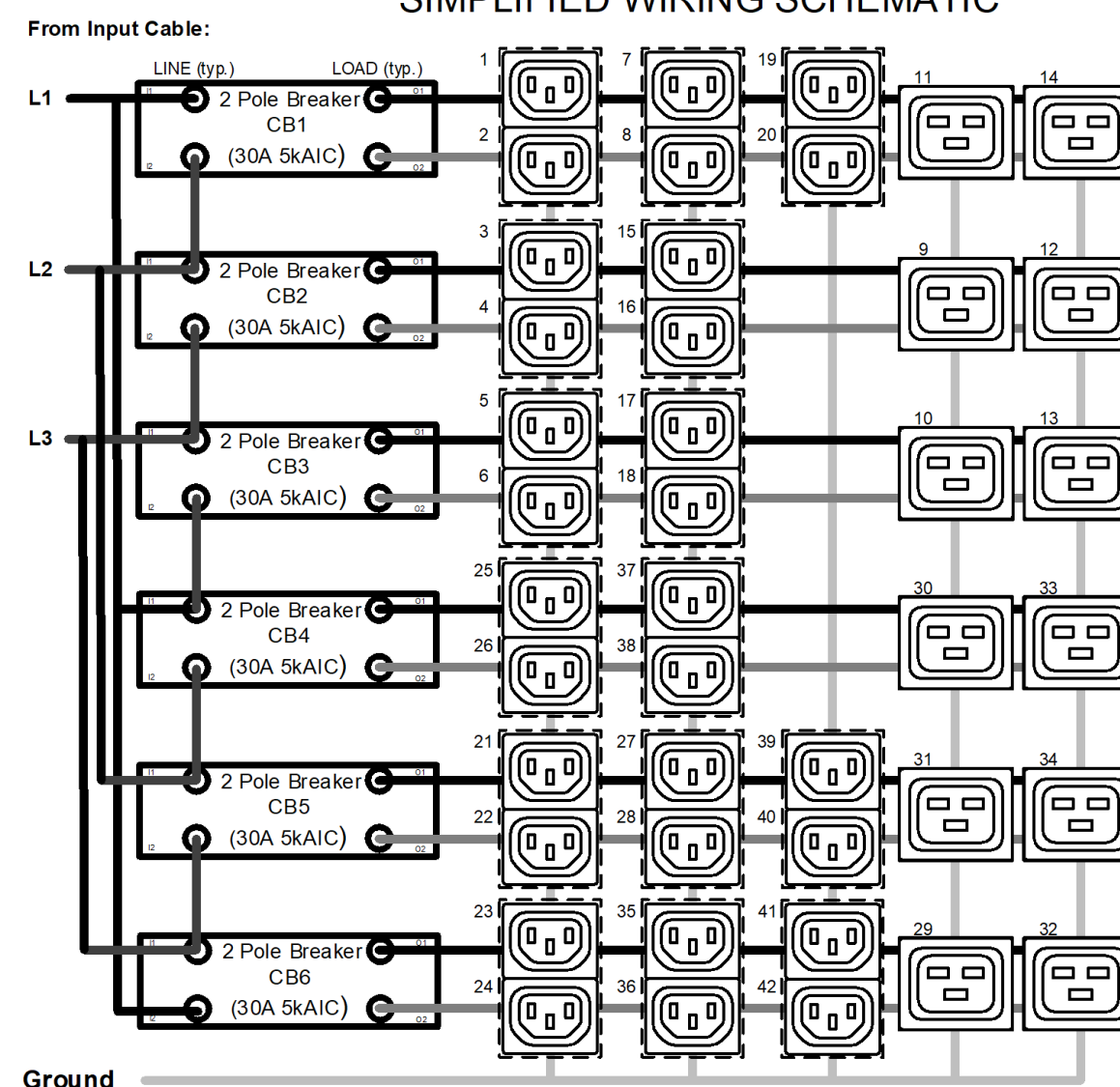
Features:	
Local Display	(1) LCD Display - Branch Monitoring, IP Setup, Alarm Notification, Auto-Oriented
Branch Monitoring	Current, Voltage, Power, PF per Circuit
Outlet Monitoring	Not Supported
Monitoring Accuracy	+/- 1% True RMS
Ethernet Port	10/100/1000 Mbps RJ45
Remote Monitoring	GUI, SNMP v1-3, RS232, RESTful API, CLI, Power IQ
Remote Control	Not Supported
IP Consolidation	Link up to 32/48 PDUs under a single IP Address with/without electronic locks
USB Ports (2)	Update firmware, Opt'l Temp/Humidity Sensor
Controller Module	Field Replaceable
Auxiliary Port (2)	Opt'l Front and Rear Electric Door Lock
Cord Retention	Locking Receptacles
Mounting System	Multiple tool-less mounting button locations, A and B (see detail)

Dimensions & Weights:	
Width (In[mm])	2.2[55]
Height (In[mm])	71.9[1827]
Depth (In[mm])	2.8[70.1]
Weight (lbs[kg])	18[8.2]
Regulatory Information:	
NEMKO Listed to UL/IEC62368-1, CE, RoHS, FCC Part 15 Class A, EN 55022	
Regulatory Part Number:	
Black: K30-6DZ3A-414-720 White: K30-6DZ3A-414-E20	

Environmental Conditions:	
Operating Temperature	32 - 149°F (0 - 65°C)
Operating Rel Humidity	5 - 95%
Operating Elevation	0-10000 ft (0-3000 m)
Storage Temperature	-13 - 149F (-25 - 65C)
Storage Rel Humidity	5 - 95%
Storage Elevation	0-50000ft (0-15000m)
Hardware Included:	
(2) tool-less pre-installed mounting buttons (1) ground kit cable	
Warranty:	
3 yrs. Standard, 2 add'l yrs Opt'l	
Optional Accessories:	
Temp & Humidity Sensor, Electronic Locks	



SIMPLIFIED WIRING SCHEMATIC



TERMINAL BLOCK
DETAIL
SCALE: 2 / 3

- Notes:
- 1 All Dimension are in inches [millimeters] unless otherwise specified.
 - 2 Installation must conform with all related national and local codes.
 - 3 All Bracket kits are sold separately. Toolless mounting buttons are included for installation in CPI cabinets.
 - 4 For more information, please contact Tech Support at techsupport@chatsworth.com.
 - 5 Color suffix "-X" may denote "-C" for Black, "-E" for Glacier White, "-CE" for Redundancy Pack

©2023 Chatsworth Products, Inc.
All rights reserved.



All products quoted are subject to availability based on manufacturing capacity and shipping dates should be considered estimates only.

eConnect Vertical 42U(0U) PDU, Monitored, Terminal Block, 208VAC, Three Phase, 50/60 Hz Input, 83A, (30)C13 (12)C19 Outlets, 208VAC, 50/60 Hz Output

While every effort has been made to ensure the accuracy of all information, CPI does not accept liability for any errors or omissions and reserves the right to change information and descriptions of listed services and products.

