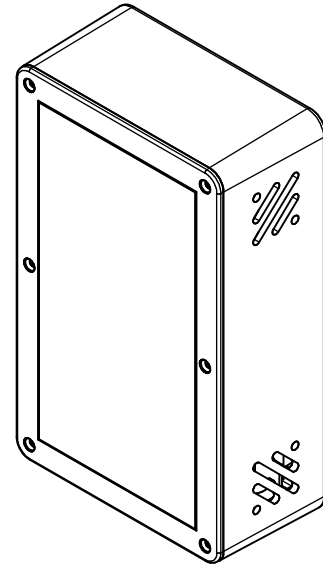
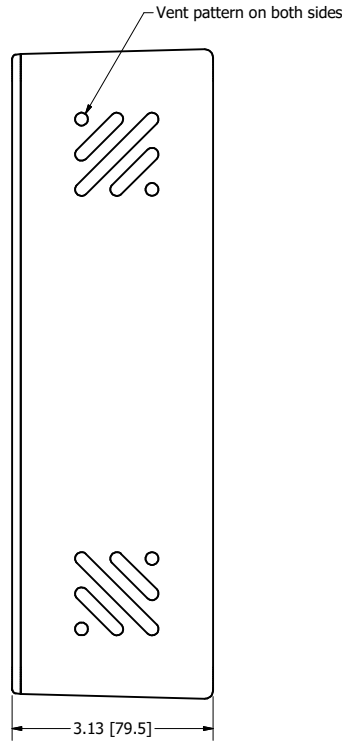
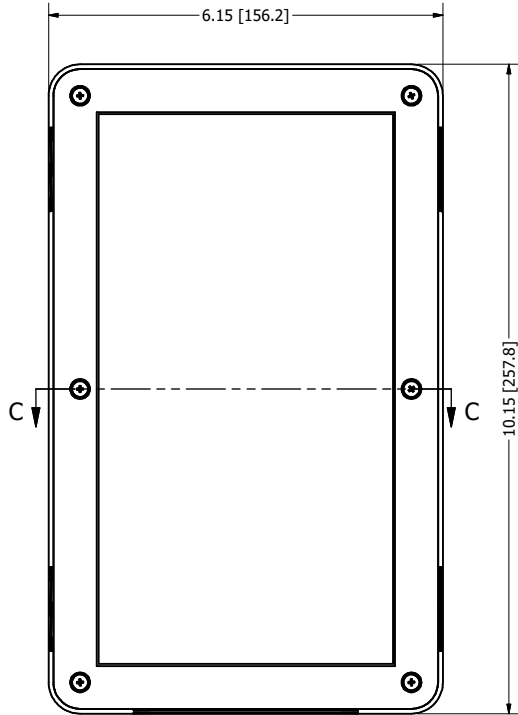


SECTION C-C  
SCALE 1 / 1.5



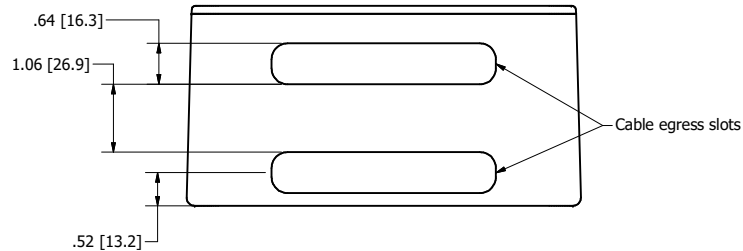
ISOMETRIC VIEW

**COLOR OPTIONS:**

- 1017-BK = Black Polycarbonate Enclosure
- 1017-WH = White Polycarbonate Enclosure

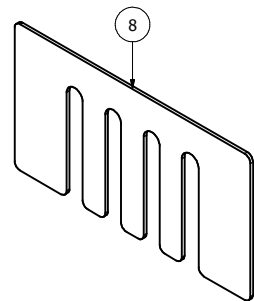
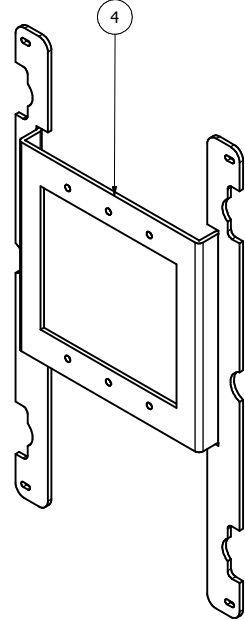
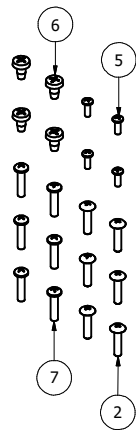
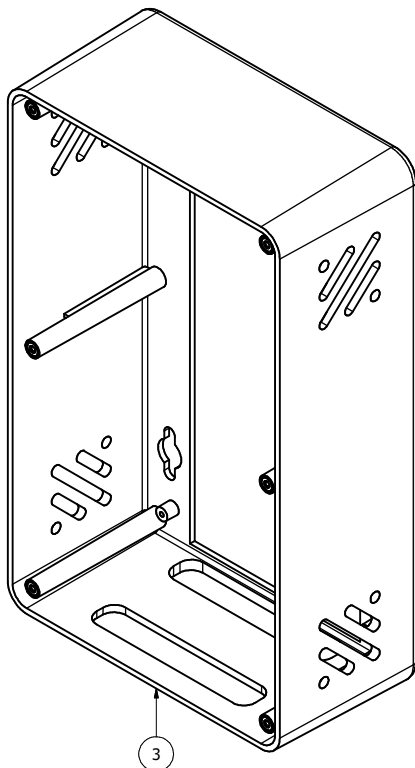
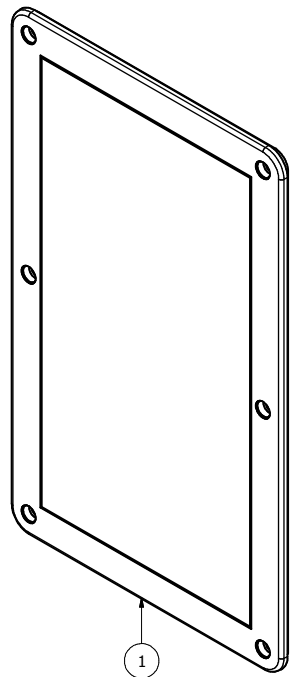
**NOTE:**

- Material: Polycarbonate UL94-5VA
- Weight: 3 lbs.
- Includes:
  - (1) Enclosure
  - (1) AP Mount Bracket
  - (6) #4-40 x 1/2" Phillips Head Lid Screws
  - (6) #4-40 x 1/2" Torx Lid screws
  - (4) #2-28 x 1/4" Thread Forming Screw
  - (4) #6-32 x 1/4" Thread Forming Screw
  - (1) Cable Guard



NOTE: All materials used in the construction of Oberon products must be RoHS compliant. Contact Oberon engineering if RoHS compliant materials are not available.

DRAWN RLC	6/28/2021	Oberon, Inc. - 1315 S. Allen St. - State College, PA 16801	
CHECKED RLC	6/28/2021	TITLE	
QA		Model 1017-XX	
MFG RLC	6/28/2021	SIZE C	DWG NO Model1017-XX
APPROVED RLC	6/28/2021	SCALE	REV 1
TOLERANCE:	.0 = +/- .030 .00 = +/- .015 .000 = +/- .005	SHEET 1 OF 2	



PARTS LIST		
ITEM	QTY	DESCRIPTION
1	1	Cover
2	6	#4-40 Torx Lid Screws
3	1	Base
4	1	AP Mount
5	4	#2-28 Thread Forming Screws
6	4	#6-32 Phillips Head Screws
7	6	#4-40 Phillips Head Lid Screws
8	1	Cable Guard

DRAWN	RLC	6/28/2021	Oberon, Inc. - 1315 S. Allen St. - State College, PA 16801		
CHECKED	RLC	6/28/2021	TITLE		
QA			Model 1017-XX		
MFG	RLC	6/28/2021	SIZE	DWG NO	REV
APPROVED	RLC	6/28/2021	C	Model1017-XX	1
TOLERANCE:	.0 = +/- .030		SCALE		
	.00 = +/- .015				
	.000 = +/- .005				SHEET 2 OF 2