



CHATSWORTH
PRODUCTS

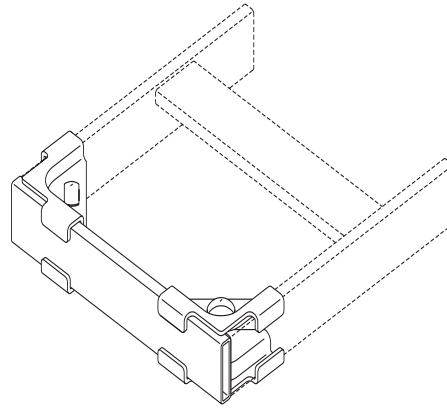
End Closing Kit, Cable Runway

End Closing Kit, Cable Runway

Used to close an unspliced end of Cable Runway. Made of 3/8" x 1-1/2" x .065" (9.53 mm x 38 mm x 1.65 mm) thick rectangular steel tubing.

Kit includes:

- Compatible with Adjustable Cable Runway
- (1) end closing bar
- (4) corner clamp plates
- (2) 3/8-16 x 1 3/8" trimmed round head square neck bolts
- (2) 3/8-16 hex nuts



ORDERING INFORMATION

Part Number	Description	Runway Width in (mm)
11700-X04	End Closing Kit, Cable Runway	4 (100)
11700-X05	End Closing Kit, Cable Runway	5 (130)
11700-X06	End Closing Kit, Cable Runway	6 (150)
11700-X09	End Closing Kit, Cable Runway	9 (230)
11700-X12	End Closing Kit, Cable Runway	12 (300)
11700-X15	End Closing Kit, Cable Runway	15 (380)
11700-X18	End Closing Kit, Cable Runway	18 (460)
11700-X20	End Closing Kit, Cable Runway	20 (510)
11700-X24	End Closing Kit, Cable Runway	24 (610)

X=color: 0=Gold, 1=Gray, 7=Black, E=Glacier White. Gold and Glacier White kits have gold colored hardware. Gray and Black kits have black colored hardware.

United States & Canada
Simi Valley, CA
800-834-4969
Toronto, Ontario, Canada
+905-850-7770
chatsworth.com
techsupport@chatsworth.com

Latin America
Mexico City, Mexico
+52-55-5203-7525
Toll Free within Mexico
800-201-7592
chatsworth.com.co

Europe
Buckinghamshire
England, UK
+44-1628-524-834

Middle East & Africa
Dubai, UAE
+971-4-2602125
Doha, Qatar
+974-4-267422

Asia Pacific
Jing'an District,
Shanghai, China
+86 21 6880-0266
chatsworth.com.cn