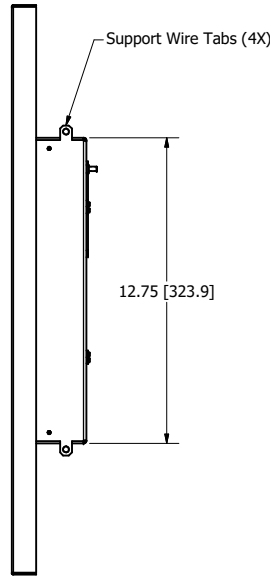
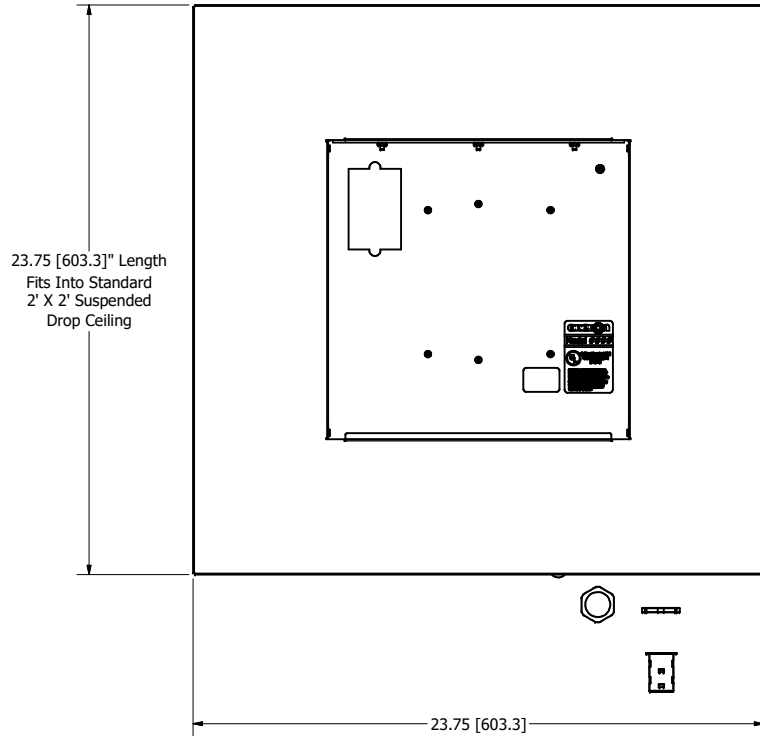
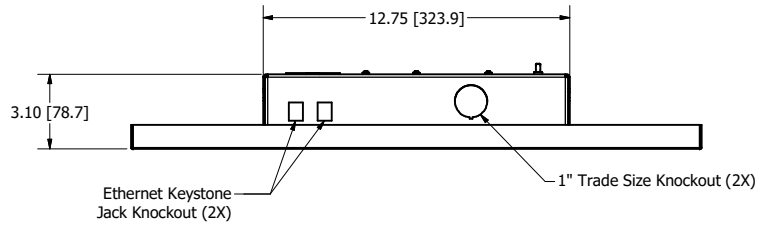
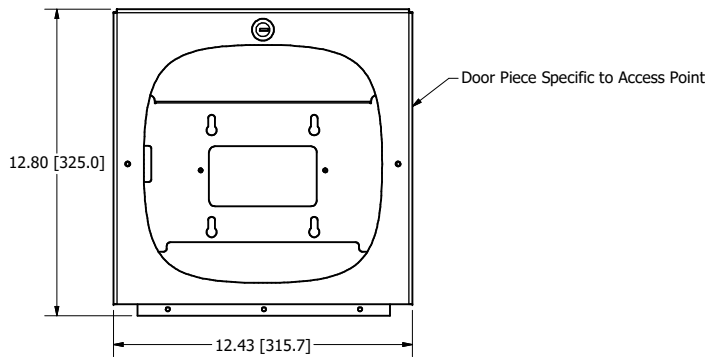


ENCLOSURE BACKBOX



DOOR

**NOTE: Door Cutout Specific to Access Point



REVISION HISTORY				
ZONE	REV	DESCRIPTION	DATE	APPROVED
All	1	Released	6/5/2018	ATK
All	2	Updated Table	9/23/2019	RLC
All	3	Updated Images, Added P/N List	11/26/2019	CAH
All	4	Updated Configuration Table and "Includes" List	12/13/2019	CAH
All	5	Updated Configuration Table and "Includes" List	2/24/2020	CAH
All	6	Updated Configuration Table and "Includes" List	8/24/2022	RLC
All	7	Updated Configuration Table	8/26/2022	RLC

NOTES:

- Weight: 14 lbs. [6.5 Kg]
- Material: 16 Ga. Aluminum Backbox
14 Ga. White Powder Coated Steel Door
12 Ga. White Powder Coated Steel Flange

Includes:

- (1) Enclosure and Interchangeable Door
- (1) Mounting bracket
- (1) Dual Cable Egress Firestop Grommet
- (1) 1 in. Trade Size Conduit Connector
- (4) Hanger Wires
- (2) Keys for Lock
- (1) Grounding Screw
- Access Point Attachment Hardware

- UL Listed File No. E348543
- OSHPD Approved: File No. OPM-0110

DRAWN	RLC	8/26/2022	Oberon, Inc. - 1315 S. Allen St. - State College, PA 16801		
CHECKED	RLC	8/26/2022	TITLE		
QA			Model 1077-XX		
MFG	RLC	8/26/2022	SIZE	DWG NO	REV
APPROVED	RLC	8/26/2022	C	Model1077-XX_Customer_Print	
TOLERANCE:	.0 = +/- .030		SCALE		SHEET 1 OF 2
	.00 = +/- .015				
	.000 = +/- .005				

Please specify configuration when ordering:

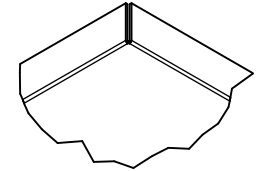
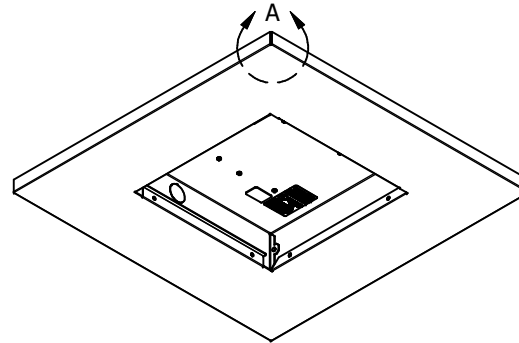
1077 - _____ - _____

ENCLOSURE STYLE - AP DOOR - TILE TYPE
 (See Configurations) (-T for tegular flange, leave blank for lay-in)

Configuration Table

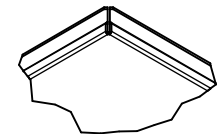
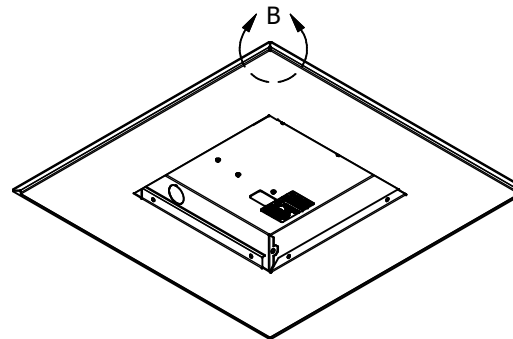
MODEL NUMBER	ENCLOSURE STYLE	AP DOOR	TILE TYPE	ACCESS POINT	TO ORDER DOOR SEPARATELY - USE DOOR P/N ONLY
1077-AP325	1077	AP325		Aruba AP325	38-107X-AP325
1077-ARAP335	1077	ARAP335		Aruba AP335 or AP345	38-107X-AP335
1077-ARAP505	1077	ARAP505		Aruba AP505	38-107X-ARAP505
1077-ARAP515	1077	ARAP515		Aruba AP515	38-107X-ARAP515
1077-ARAP535	1077	ARAP535		Aruba AP535	38-107X-ARAP535
1077-ARAP635	1077	ARAP635		Aruba AP635	38-107X-ARAP635
1077-CCOAP	1077	CCOAP		Cisco 2700, 3700 Series	38-107X-CCOAP
1077-CCOAP3800	1077	CCOAP3800		Cisco 2800, 3800 Series	38-107X-CCOAP3800
1077-COAP4800	1077	COAP4800		Cisco 4800 Series	38-107X-COAP4800
1077-COAP9115	1077	COAP9115		Cisco 9115i Series	38-107X-COAP9115
1077-COAP9120	1077	COAP9120		Cisco 9120i Series	38-107X-COAP9120
1077-COAP9130	1077	COAP9130		Cisco 9130 Series	38-107X-COAP9130
1077-COAP9136	1077	COAP9136		Cisco 9136 Series	38-107X-COAP9136
1077-CW9166	1077	CW9166		Cisco 9164, 9166 Series	38-107X-CW9166
1077-CP	1077	CP		General Purpose, for APs w/ Internal Antennas	38-107X-CP
1077-ND	1077	ND		N/A (No Door Included)	ND
1077-WA	1077	WA		General Purpose, for APs w/ Internal Antennas	38-107X-WA

STANDARD "LAY-IN" FLANGE STYLE



DETAIL A
SCALE 1:2

**"-T" TEGULAR FLANGE STYLE
 (For Recessed Grid Ceilings)**



DETAIL B
SCALE 1:2

DRAWN	RLC	8/26/2022	Oberon, Inc. - 1315 S. Allen St. - State College, PA 16801		
CHECKED	RLC	8/26/2022	TITLE		
QA			Model 1077-XX		
MFG	RLC	8/26/2022	SIZE	DWG NO	REV
APPROVED	RLC	8/26/2022	C	Model1077-XX_Customer_Print	
TOLERANCE:	.0 = +/- .030		SCALE		SHEET 2 OF 2
	.00 = +/- .015				
	.000 = +/- .005				