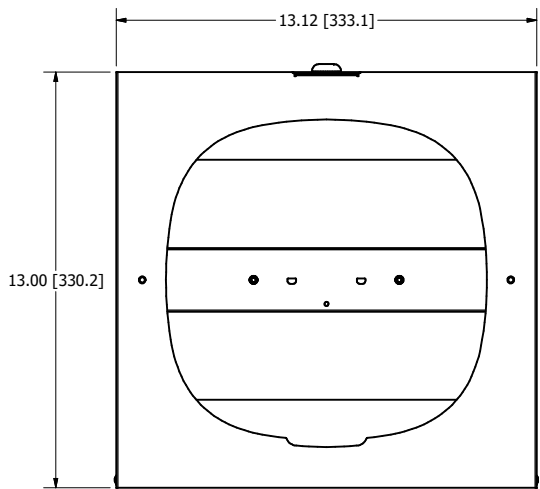
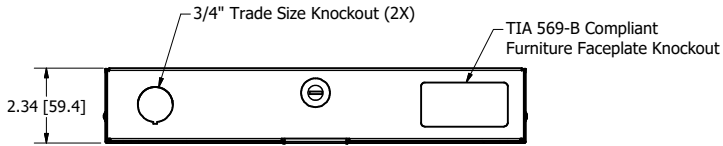
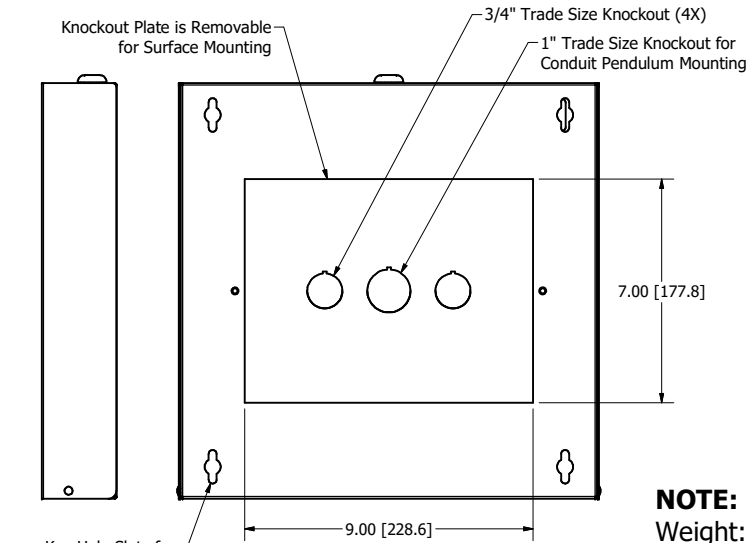


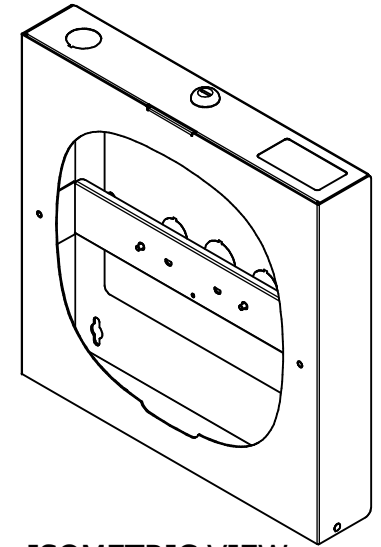
REVISION HISTORY				
ZONE	REV	DESCRIPTION	DATE	APPROVED
All	1	Released	4/29/2021	CAH



**FRONT VIEW**



**BACK VIEW**



**ISOMETRIC VIEW**

**NOTE:**

Weight: 7 lbs.

Material: 16 Ga. (0.060") White Powder Coated Steel Base  
 18 Ga. (0.048") White Powder Coated Steel Knockout Plate  
 20 Ga. (0.036") White Powder Coated Steel Cover  
 18 Ga. (0.048") Galvanized Steel Mounting Bracket

**Includes:**

- (1) Surface Mount Box
- (2) Keys for Lock
- Access Point Attachment Hardware

DRAWN CAH	4/29/2021	Oberon, Inc. - 1315 S. Allen St. - State College, PA 16801		
CHECKED CAH	4/29/2021	TITLE		
QA		Model 905-ARAP555		
MFG CAH	4/29/2021	SIZE C	DWG NO 905-ARAP555	REV 1
APPROVED CAH	4/29/2021	SCALE	SHEET 1 OF 1	
TOLERANCE:	.0 = +/- .030 .00 = +/- .015 .000 = +/- .005			