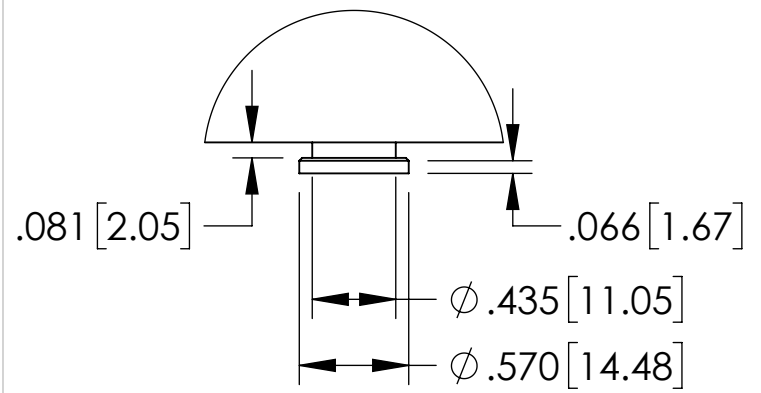
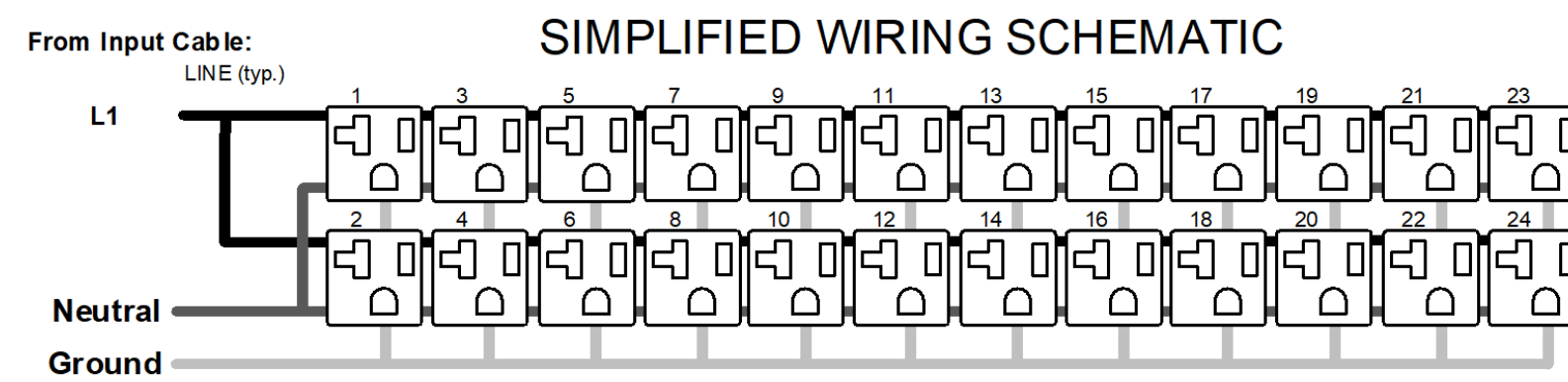


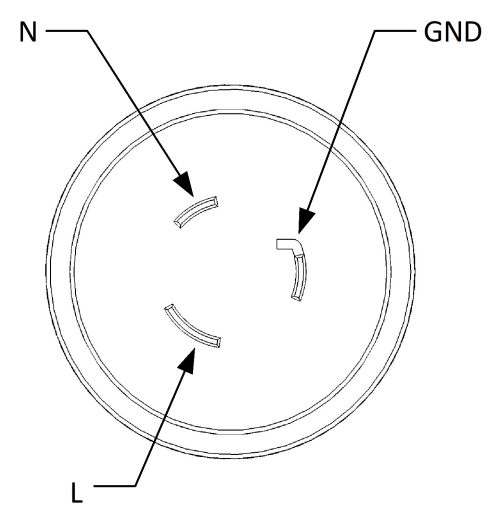
DISPLAY DETAIL



MOUNTING BUTTON DETAIL



SIMPLIFIED WIRING SCHEMATIC



INPUT PLUG DETAIL  
NEMA L5-20  
20A / 2P3W

Technical Specs:	
<b>Input Ratings</b>	
Nominal Voltage (VAC)	120V 1ph
Input Plug / Cord	NEMA L5-20P (IP20), 10 ft. Cord
Current Rating	16A
Power Rating (kW)	1.92
<b>Output Ratings</b>	
Nominal Voltage (VAC)	120V
Current Rating	16A
Outlet Rating	5-20 16A max
Max Current per Breaker	N/A Balanced; N/A Unbalanced
<b>Outlet Combination</b>	
Load Segment	Refer to Simplified Wire Schematic
PDU Total	(24) 5-20
<b>Branch Circuit Protection</b>	(0) No Breaker
<b>Features:</b>	
Local Display	(1) 4 digit LED Display - Input Current Meter
Branch Monitoring	Not Supported
Outlet Monitoring	Not Supported
Monitoring Accuracy	Not Supported
Ethernet Port	Not Supported
Remote Monitoring	Not Supported
Remote Control	Not Supported
IP Consolidation	Not Supported
USB Ports (2)	Not Supported
Controller Module	Not Supported
Auxiliary Port (2)	Not Supported
Cord Retention	Locking Receptacles
Mounting System	Multiple tool-less mounting button locations, A and B (see detail)
<b>Dimensions &amp; Weights:</b>	
Width (In[mm])	2.2[55]
Height (In[mm])	71.9[1827]
Depth (In[mm])	2.2[57.6]
Weight (lbs[kg])	18[8.2]
<b>Regulatory Information:</b>	NEMKO Listed to UL/IEC 62368-1, CE, RoHS, FCC Part 15 Class A, EN 55022
<b>Regulatory Part Number:</b>	K20-0Y030-204-72A
<b>Environmental Conditions:</b>	
Operating Temperature	32 - 149F (0 - 65C) @ Input Pwr Rating (kW)
Operating Rel Humidity	5 - 95%
Operating Elevation	0-10000 ft (0-3000 m)
Storage Temperature	-13 - 149F (-25 - 65C)
Storage Rel Humidity	5 - 95%
Storage Elevation	0-50000ft (0-15000m)
<b>Hardware Included:</b>	(2) tool-less pre-installed mounting buttons (1) ground kit cable
<b>Warranty:</b>	3 yrs. Standard, 2 add'l yrs Opt'l
<b>Optional Accessories:</b>	Not Supported

- Notes:
- 1 All Dimension are in inches [millimeters] unless otherwise specified
  - 2 Installation must conform with all related national and local codes
  - 3 All Bracket kits are sold separately. Toolless mounting buttons are included for installation in CPI cabinets.
  - 4 For more information, please contact Tech Support at [techsupport@chatsworth.com](mailto:techsupport@chatsworth.com)

©2019 Chatsworth Products, Inc. All rights reserved.

All products quoted are subject to availability based on manufacturing capacity and shipping dates should be considered estimates only.

While every effort has been made to ensure the accuracy of all information, CPI does not accept liability for any errors or omissions and reserves the right to change information and descriptions of listed services and products.

**CHATSWORTH PRODUCTS, INC.**

eConnect Vertical PDU, Metered, C20 inlet to L5-20, 10ft (3m), 120V Single Phase Input, 20A, (24) 5-20 Outlets, 120V Output

THIRD ANGLE

**E1-2001-X** ISS 1

SHEET 1 OF 1