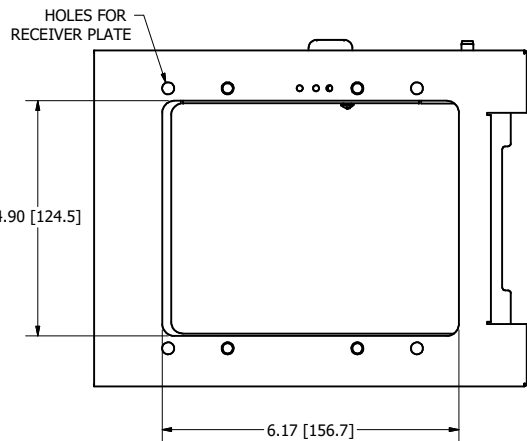
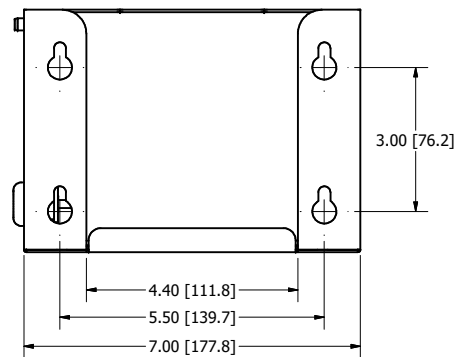
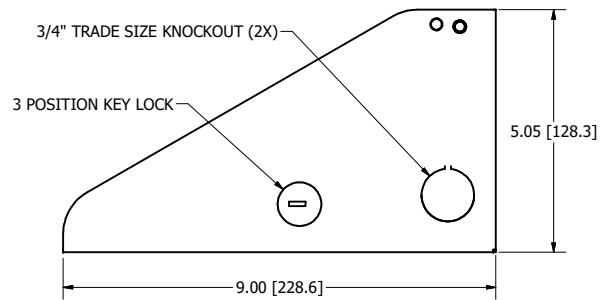
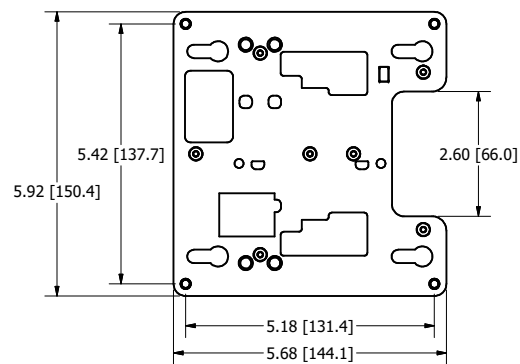


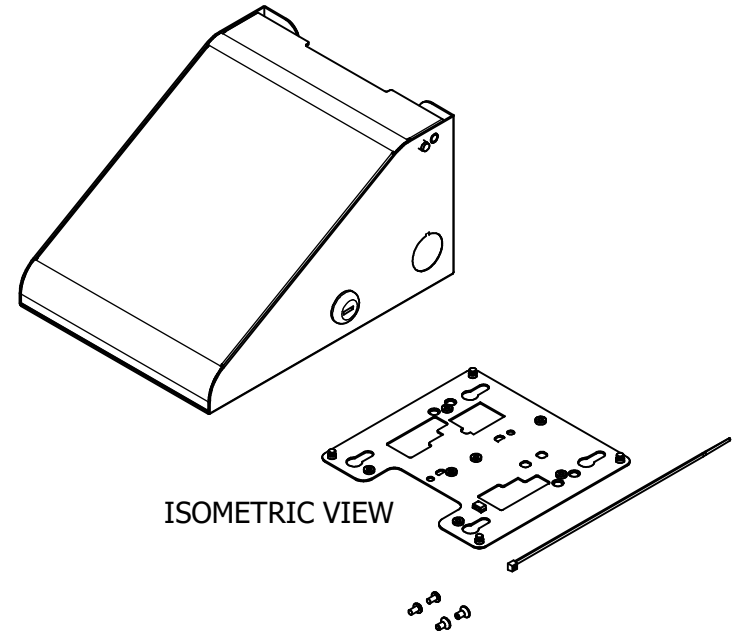
RIGHT ANGLE WALL MOUNT



RECEIVER PLATE



REVISION HISTORY				
ZONE	REV	DESCRIPTION	DATE	APPROVED
All	1	Released	3/19/2020	CAH
All	2	Updated Views and Mounting Legend	4/26/2021	CAH
All	3	Updated Title Block	10/11/2021	CAH
All	4	Added hole pattern template (Pg. 3)	11/12/2021	CAH
Pg. 2	5	Updated AP Mounting Legend	12/6/2021	CAH



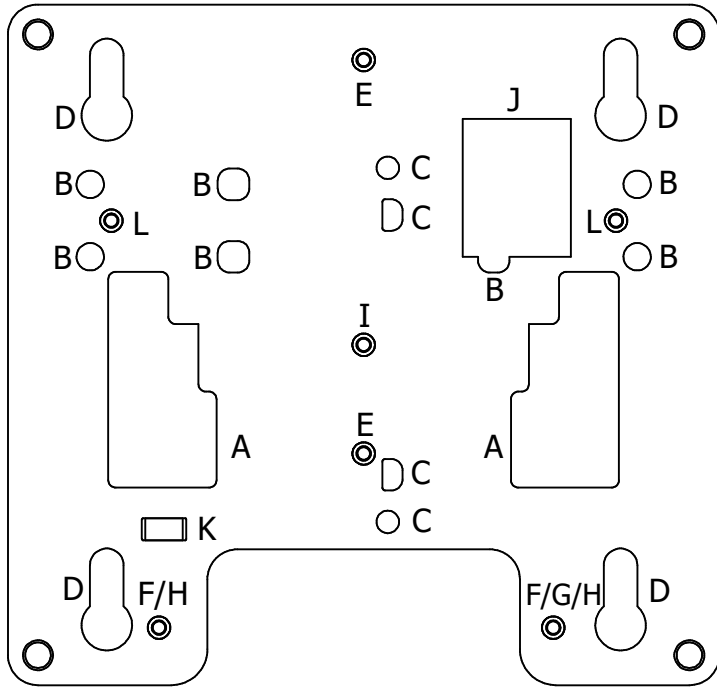
NOTES:

- Weight: 3 lbs
- Material: 18 Ga. (.048") Steel Right Angle Wall Mount
 20 Ga. (.040") Steel Receiver Plate
- Finish: White Powder Coat

Includes:

- (1) Right Angle Wall Mount
- (1) Receiver Plate
- (2) M4 x 0.7 mm Flat Head Screws
- (2) #6-32 x 1/4" Pan Head Screws
- (1) Cable Tie
- (2) Keys for Lock

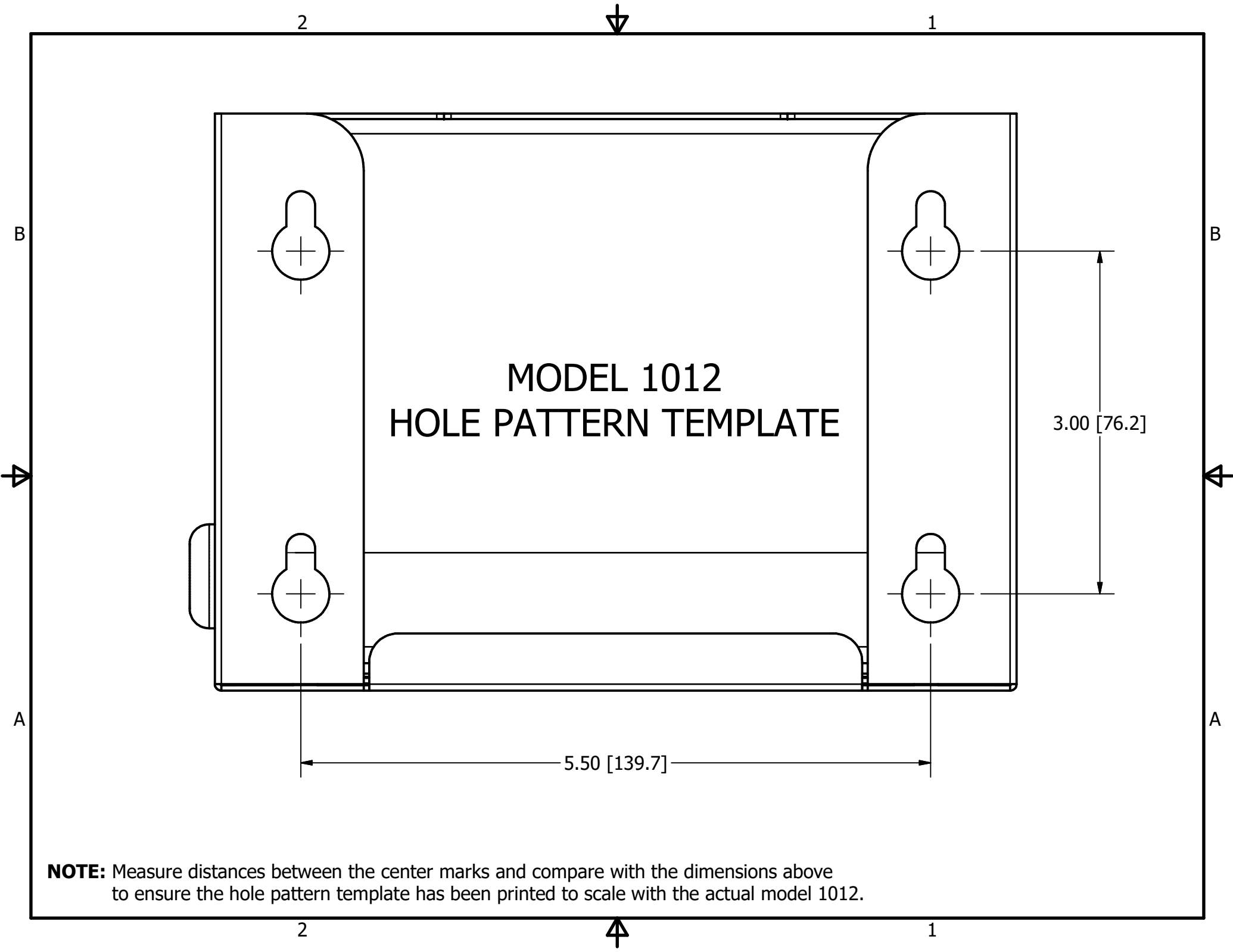
DRAWN CAH	12/6/2021	Oberon, Inc. - 1315 S. Allen St. - State College, PA 16801		
CHECKED CAH	12/6/2021	TITLE		
QA		Model 1012-00		
MFG CAH	12/6/2021	SIZE C	DWG NO 1012-00	REV 5
APPROVED CAH	12/6/2021	SCALE	SHEET 1 OF 3	
TOLERANCE:	.0 = +/- .030 .00 = +/- .015 .000 = +/- .005			



AP Mounting Legend

- A - ARUBA 3XX SERIES MOUNTING FEATURES
- B - ARUBA 5XX SERIES MOUNTING HOLES
- C - ARUBA 505 MOUNTING HOLES
- D - KEY SLOTS FOR MOUNTING CISCO APS
- E - SINGLE GANG OUTLET BOX
- F - SINGLE GANG OUTLET BOX HOLES FOR MERAKI APS
(USE "E" MARKED HOLES ON MERAKI "MOUNT PLATE")
- G - SET SCREW HOLE FOR CISCO 27/3700 SERIES APS
- H - SET SCREW HOLE FOR CISCO 28/3800 AND 91XX SERIES APS
- I - SET SCREW HOLE FOR ARUBA 3XX SERIES APS
- J - ETHERNET PORT OPENING
- K - CABLE TIE SLOT
- L - MERAKI MR46 AND MR56

DRAWN CAH	12/6/2021	Oberon, Inc. - 1315 S. Allen St. - State College, PA 16801		
CHECKED CAH	12/6/2021	TITLE		
QA		Model 1012-00		
MFG CAH	12/6/2021	SIZE C	DWG NO 1012-00	REV 5
APPROVED CAH	12/6/2021	SCALE	SHEET 2 OF 3	
TOLERANCE:	.0 = +/- .030 .00 = +/- .015 .000 = +/- .005			



MODEL 1012
HOLE PATTERN TEMPLATE

5.50 [139.7]

3.00 [76.2]

NOTE: Measure distances between the center marks and compare with the dimensions above to ensure the hole pattern template has been printed to scale with the actual model 1012.