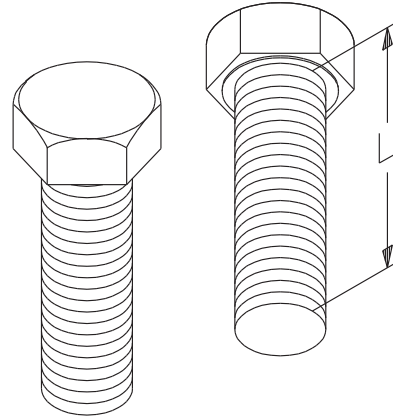


Product Cut Sheet

HEX CAP BOLTS

Also called Washer Faced Hex Cap Screws

- Commercial grade
- Zinc plate or gold finish



PART NUMBER	NOMINAL SIZE	FINISH	LENGTH
20290-106	1/4-20	ZINC PLATED	3/4"
20290-118	1/4-20	ZINC PLATED	2 1/4"
20290-216	5/16-18	ZINC PLATED	2"
20290-307	3/8-16	ZINC PLATED	7/8"
02004-001	3/8-16	GOLD	1 1/4"
02004-002	1/4-20	GOLD	1 1/4"
02004-003	1/2-13	GOLD	1 1/2"
02004-004	3/8-16	GOLD	1 1/2"
02004-005	1/2-13	GOLD	1 3/4"
02004-006	5/8-11	GOLD	1 1/4"
02004-007	5/8-11	GOLD	3 1/4"

800-834-4969 in U.S. & Canada • www.chatsworth.com



CHATSWORTH PRODUCTS, INC.

©2002 Chatsworth Products, Inc. 5/02/GT