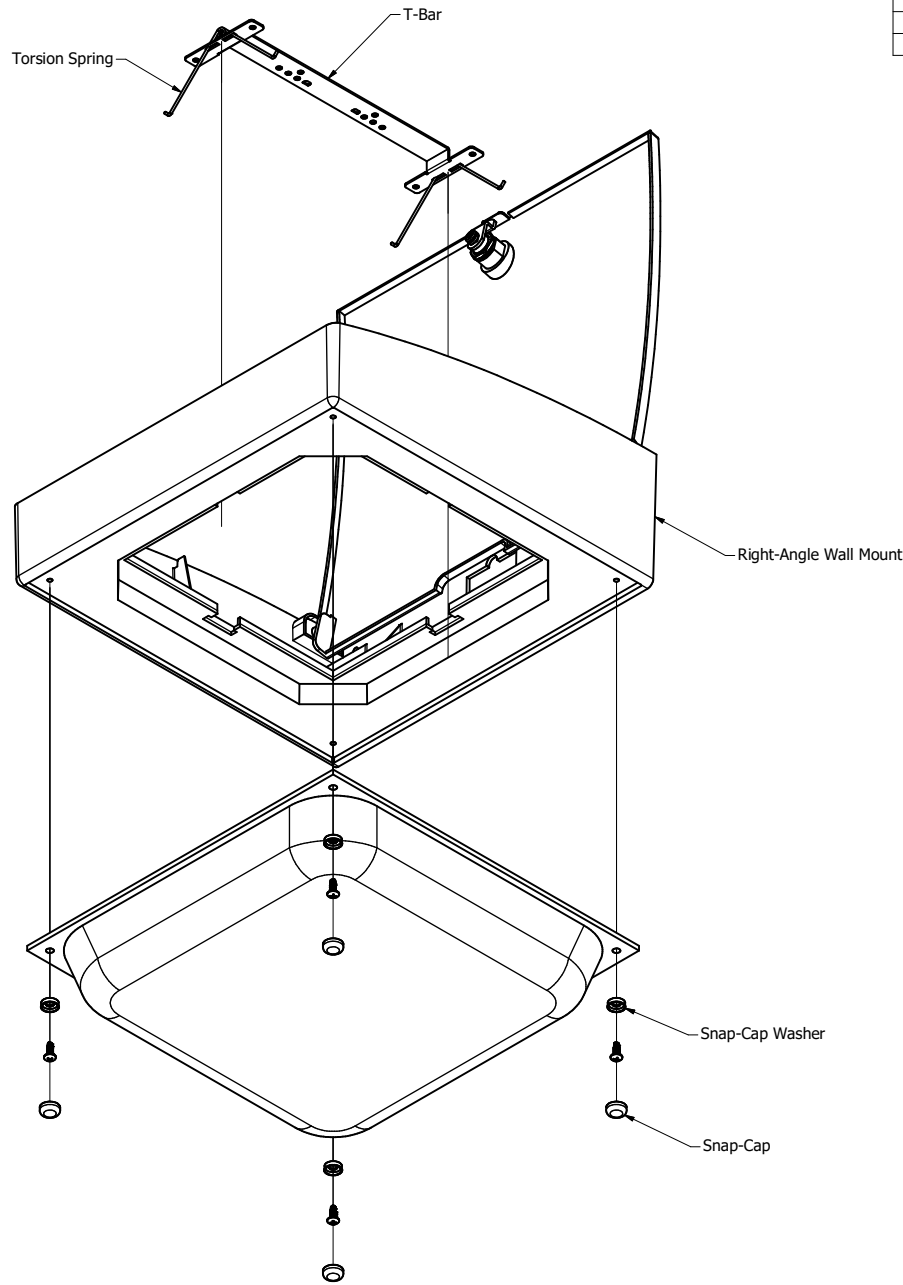


REVISION HISTORY				
ZONE	REV	DESCRIPTION	DATE	APPROVED
All	1	Released	10/20/2020	CAH
All	2	Updated Views and "Notes"	11/15/2020	CAH
All	3	Updated Views and "Notes"	12/9/2020	CAH
Pg. 2	4	Updated Dimension	1/6/2021	CAH
All	5	Added -FPDOME Configuration; Updated "Notes"	2/16/2021	CAH
All	6	Updated "Notes"	2/19/2021	CAH



NOTES:

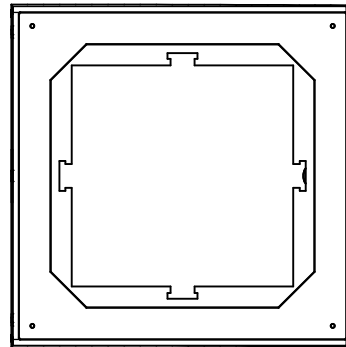
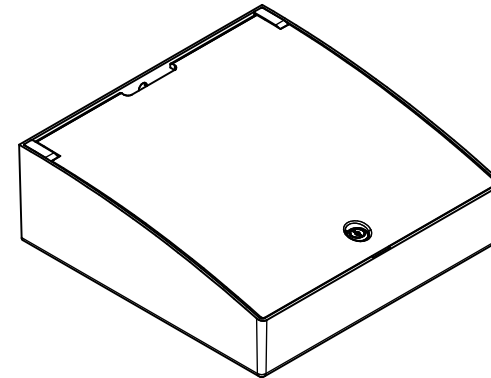
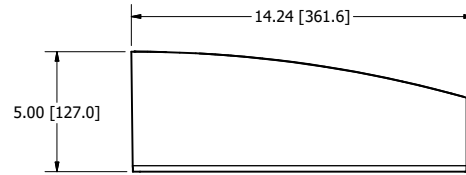
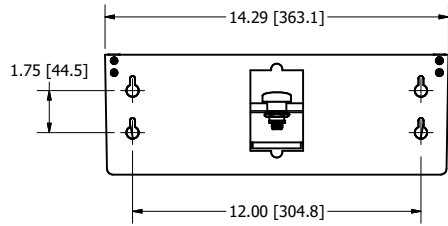
- Weight: 5 lbs
- Material: White ABS Plastic Right-Angle Wall Mount
White ABS Plastic UL94-5VA Dome (For -LPDOME SKUs Only)
Translucent Frosted Polycarbonate UL94-5VA Dome (For -FPDOME SKUs Only)
16 Gauge Galvanized Steel T-Bar Bracket
White Polypropylene Snap-Caps
Black Polypropylene Snap-Caps

Includes:

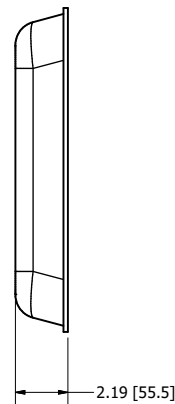
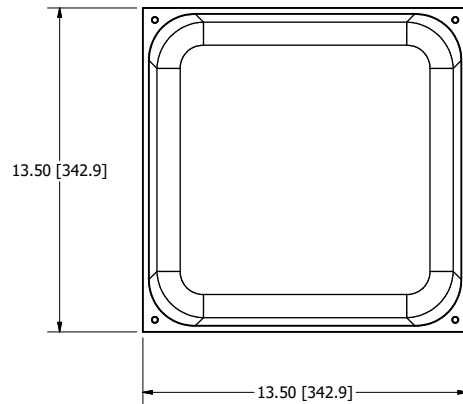
- (1) Right-Angle Wall Mount
- (1) Dome
- (1) T-Bar Bracket
- (2) Torsion Springs
- (2) #6-32 x 3/8" Pan Head Machine Screws
- (2) #6-32 Hex Nuts
- (4) #10 Thread-forming Screws for Plastic
- (4) White Snap-Caps
- (4) Black Snap-Caps
- (4) Snap-Cap Washers
- (2) Keys for Lock

DRAWN	CAH	2/19/2021	Oberon, Inc. - 1315 S. Allen St. - State College, PA 16801		
CHECKED	CAH	2/19/2021	TITLE		
MFG	CAH	2/19/2021	Model 1007-LPDOME & 1007-LTDOME		
APPROVED	CAH	2/19/2021	SIZE	DWG NO	REV
TOLERANCE:	.0 = +/- .030		C	1007-LPDOME/LTDOME	6
	.00 = +/- .015		SCALE		
	.000 = +/- .005				SHEET 1 OF 2

RIGHT-ANGLE WALL MOUNT



DOME



DRAWN	2/19/2021	Oberon, Inc. - 1315 S. Allen St. - State College, PA 16801		
CHECKED	2/19/2021	TITLE		
CAH		Model 1007-LPDOME & 1007-LTDOME		
QA				
MFG	2/19/2021	SIZE	DWG NO	REV
CAH		C	1007-LPDOME/LTDOME	6
APPROVED	2/19/2021	SCALE	SHEET 2 OF 2	
CAH				
TOLERANCE:	.0 = +/- .030 .00 = +/- .015 .000 = +/- .005			