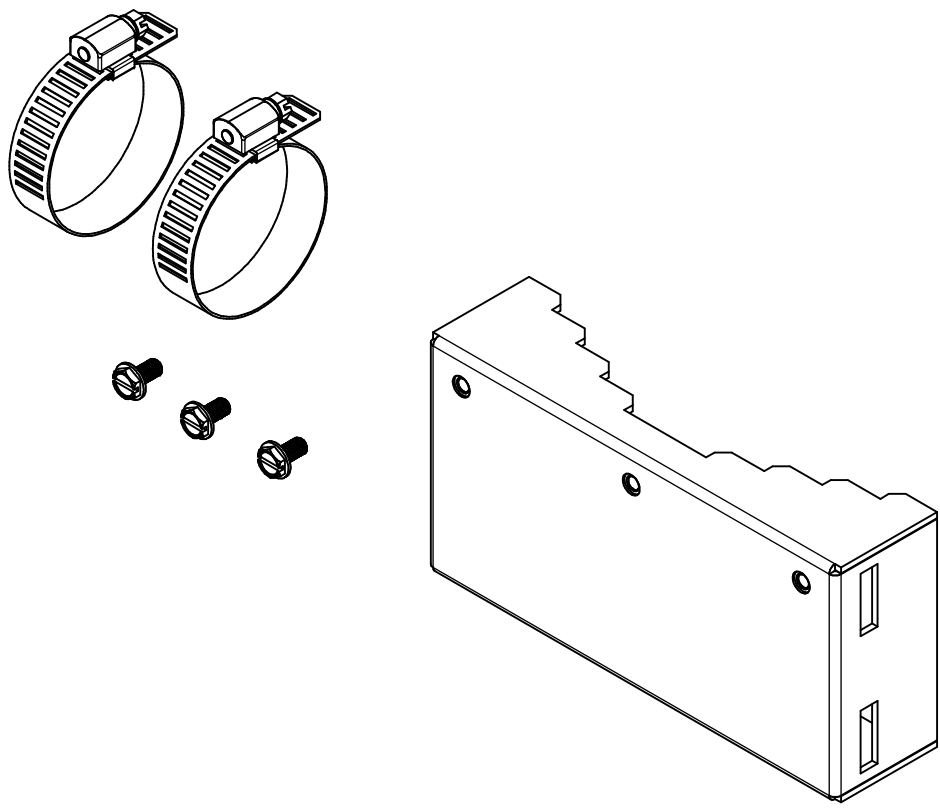


REVISION HISTORY				
ZONE	REV	DESCRIPTION	DATE	APPROVED
All	1	Released	7/14/2020	CAH



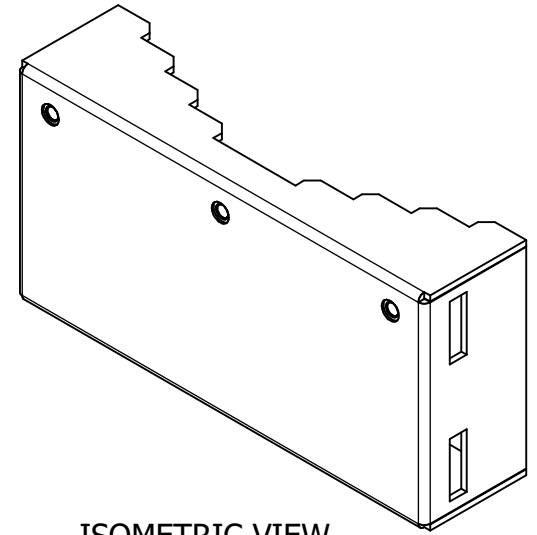
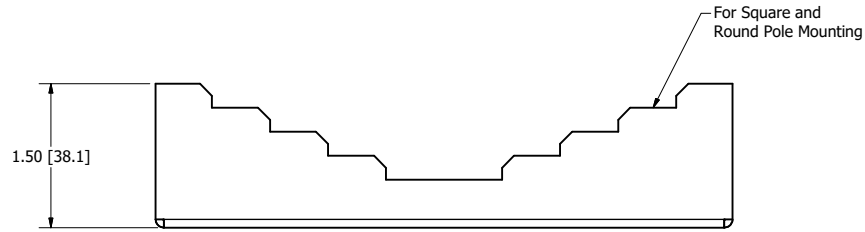
NOTE:

- Weight: 1 lb.
- Material: 14 Ga. Gray Powder Coated Steel Pole Mount Bracket

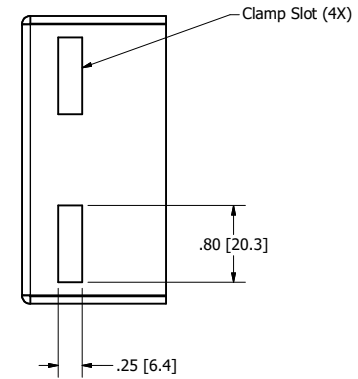
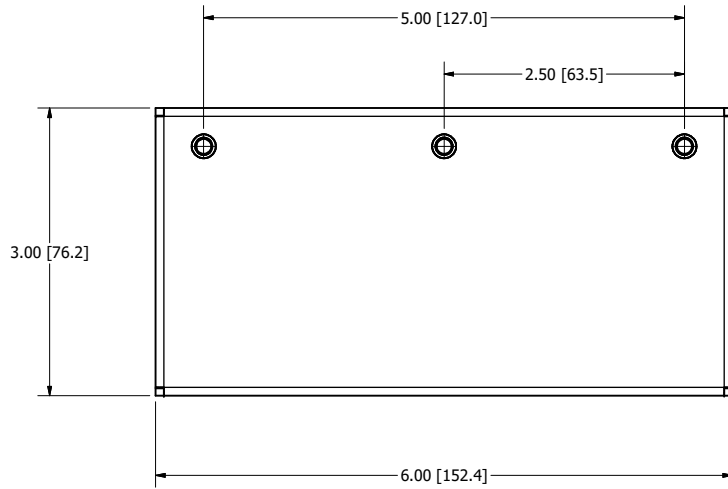
Includes:

- (1) Pole Mount Bracket
- (2) 5-5/8 to 8-1/2 in. Worm-Drive Clamps
- (3) #10 x 3/8 in. Slotted Hex Head Screws

DRAWN CAH	7/14/2020	Oberon, Inc. - 1315 S. Allen St. - State College, PA 16801		
CHECKED CAH	7/14/2020	TITLE		
QA		Model 39-1020-PMK		
MFG CAH	7/14/2020	SIZE C	DWG NO 39-1020-PMK	REV 1
APPROVED CAH	7/14/2020	SCALE	SHEET 1 OF 2	
TOLERANCE:				
.0 = +/- .030				
.00 = +/- .015				
.000 = +/- .005				



ISOMETRIC VIEW



DRAWN	7/14/2020	Oberon, Inc. - 1315 S. Allen St. - State College, PA 16801		
CHECKED	7/14/2020	TITLE		
CAH		Model 39-1020-PMK		
QA				
MFG	7/14/2020	SIZE	DWG NO	REV
CAH		C	39-1020-PMK	1
APPROVED	7/14/2020	SCALE	SHEET 2 OF 2	
CAH				
TOLERANCE:		.0 = +/- .030		
		.00 = +/- .015		
		.000 = +/- .005		