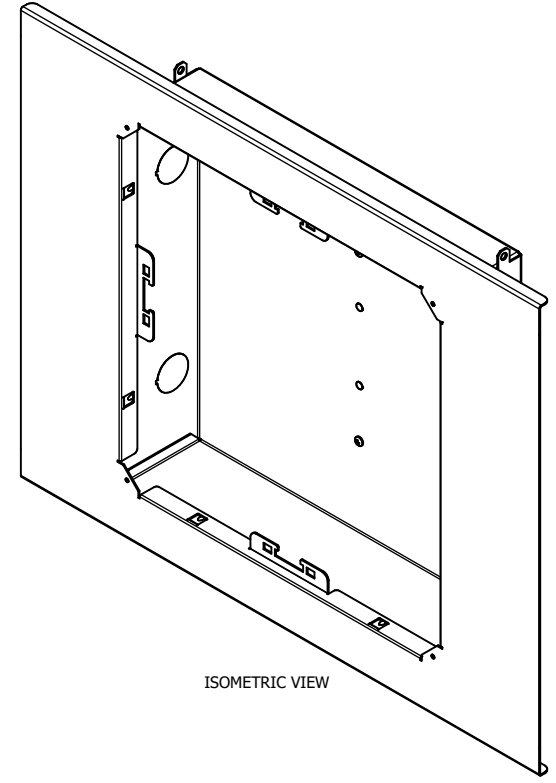
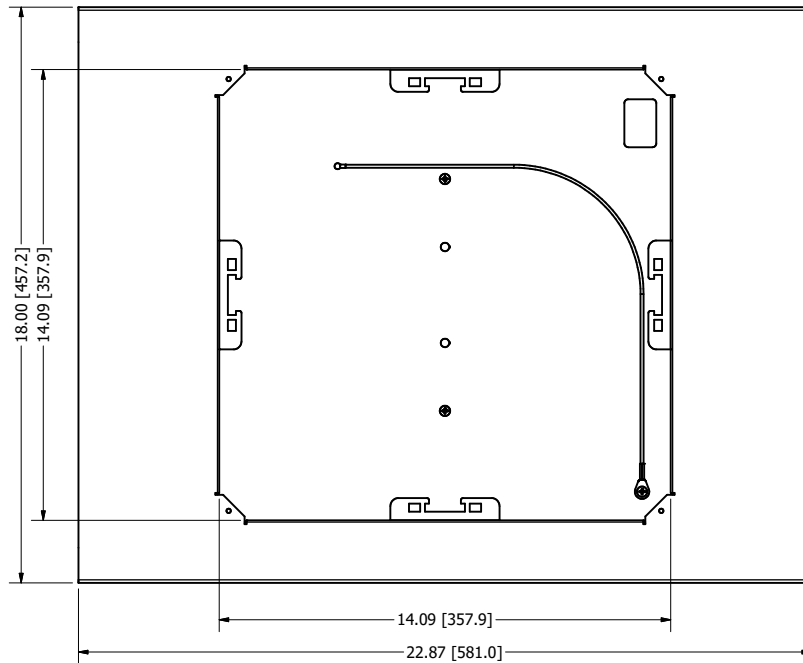
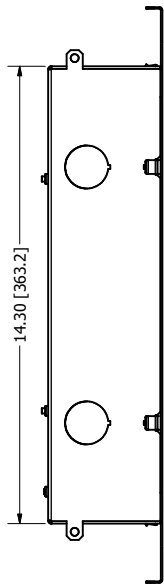
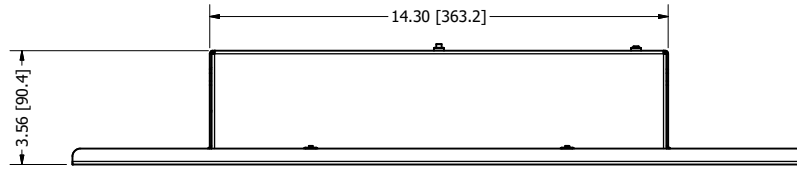


BACKBOX ASSEMBLY



ISOMETRIC VIEW

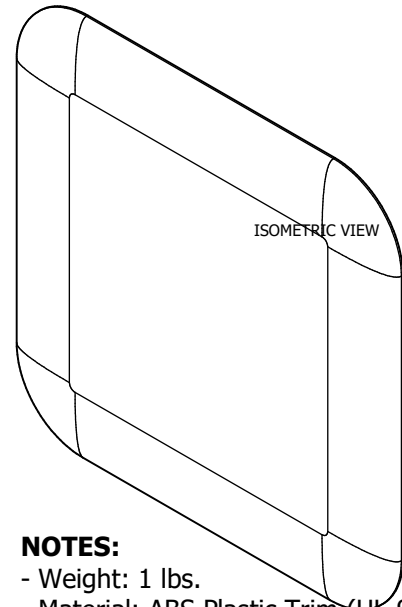
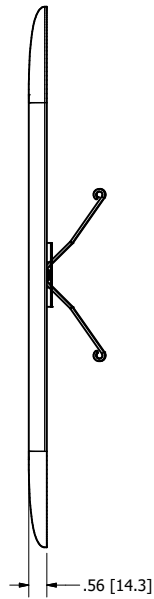
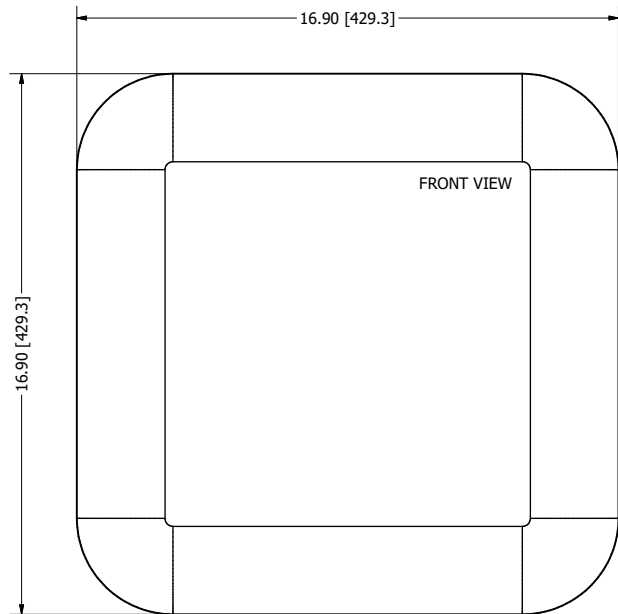
NOTES:

- Weight: 9 lbs.
- Material: 20 Ga. Galvanized Steel Backbox

OSHPD Approved - OPM-0110

Oberon, Inc. - 1315 S. Allen St. - State College, PA 16801		
TITLE		
Model 1444-FXL-DOME		
SIZE	DWG NO	DATE
C	1444-FXL-DOME	10/24/2023
SCALE	SHEET 1 OF 3	

TRIM ASSEMBLY



NOTES:

- Weight: 1 lbs.
- Material: ABS Plastic Trim (UL-94 5VA Listed)

Oberon, Inc. - 1315 S. Allen St. - State College, PA 16801

TITLE

Model 1444-FXL-DOME

SIZE
C

DWG NO
1444-FXL-DOME

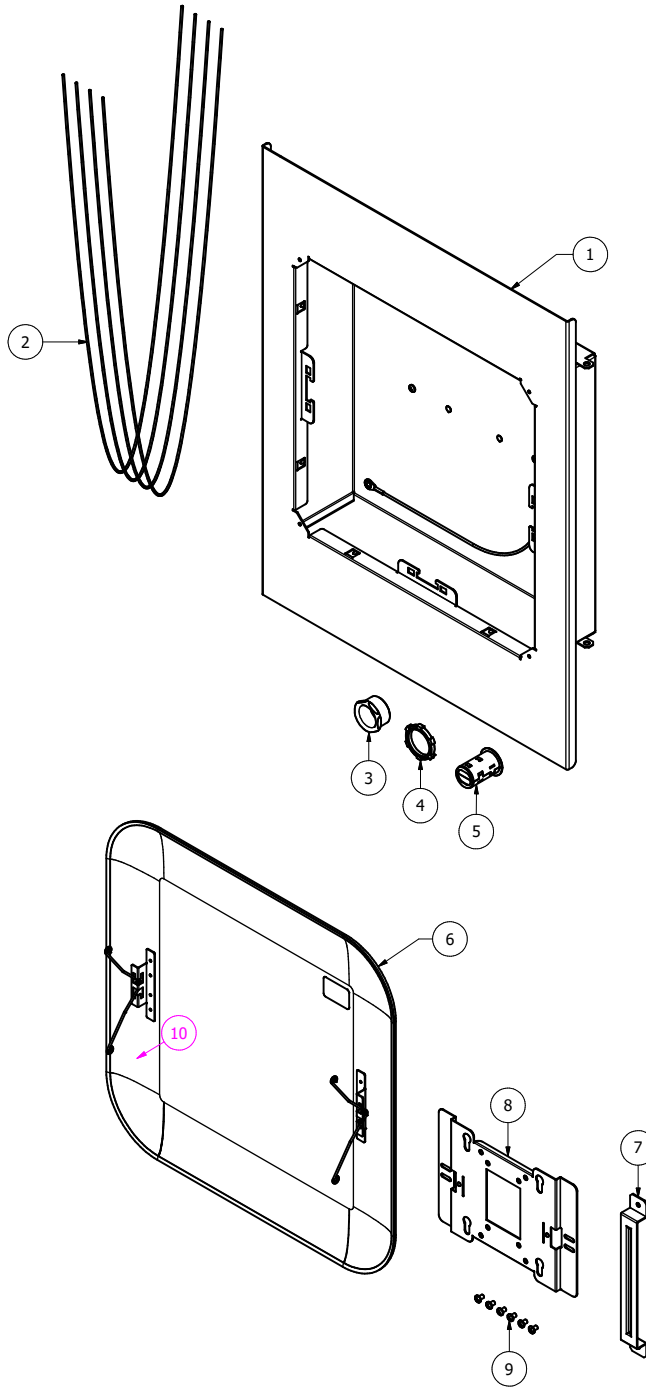
DATE
10/24/2023

SCALE

SHEET 2 OF 3

BACK VIEW

INCLUDES



PARTS LIST		
ITEM	QTY	DESCRIPTION
1	1	Back Box Assembly
2	4	12 gauge grid wire x 4 foot long
3	1	1 inch Conduit Nipple
4	1	1 inch Conduit Nut
5	1	Fire Foam Plug
4	1	Fire Foam Assembly
7	1	T-Bar Bracket
8	1	AP Mounting Bracket
9	6	#8-32 x 1/4" Pan Head Screw
10	2	Torsion Spring

Oberon, Inc. - 1315 S. Allen St. - State College, PA 16801

TITLE		
Model 1444-FXL-DOME		
SIZE	DWG NO	DATE
C	1444-FXL-DOME	10/24/2023
SCALE	SHEET 3 OF 3	