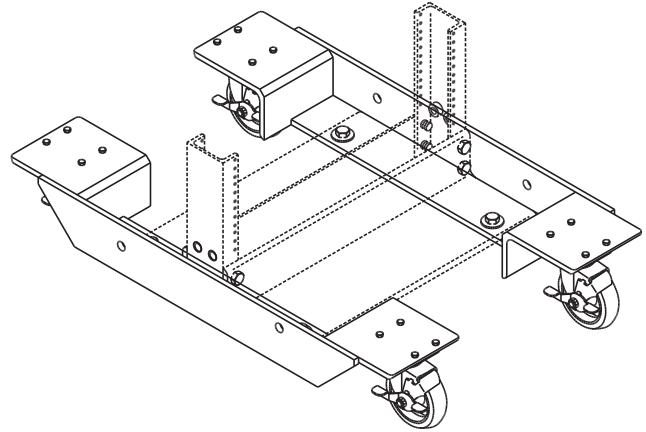


Product Cut Sheet

RACK UNIVERSAL DOLLY WHEELS

Allows rack to be moved, providing access to equipment for maintenance, testing, cleaning, etc. Wheels may be locked to prevent moving during assembly stages. (Note: Not to be used with enclosures)

- Two-piece construction of 3/8" aluminum
- Holds any width self-support rack or frame
- Rack mounting hardware included
- Load capacity of 1,000 lb



Note: Vertical cabling sections cannot be used on dolly-mounted racks. Can be used with 2-Post, Universal, Standard or 6' Deep Racks.

PART NUMBER	Color	Shipping Weight
10175-100	Gray	20 lb
10175-200	Computer White	20 lb
10175-500	Clear	20 lb
10175-700	Black	20 lb

800-834-4969 in U.S. & Canada • www.chatsworth.com



CHATSWORTH PRODUCTS, INC.

©2010 Chatsworth Products, Inc. All rights reserved. CPI, CPI Passive Cooling, MegaFrame, Saf-T-Grip, Seismic Frame, SlimFrame, TeraFrame, Cube-iT Plus, Evolution, OnTrac, and QuadraRack are federally registered trademarks of Chatsworth Products, Inc. GlobalFrame, Simply Efficient and Velocity are trademarks of Chatsworth Products, Inc. All other trademarks belong to their respective companies. 12/10