

Evolution® Vertical Cable Managers

GUZYmi-bZfa Ujcb



K 5 FB-B; : Product is heavy. Use two people to lift.



K 5 FB-B; : Do not lift product by plastic fingers.



K 5 FB-B; : Product not designed for stand-alone use. Support product properly until bolted to rack. Do not leave unsupported product unattended.



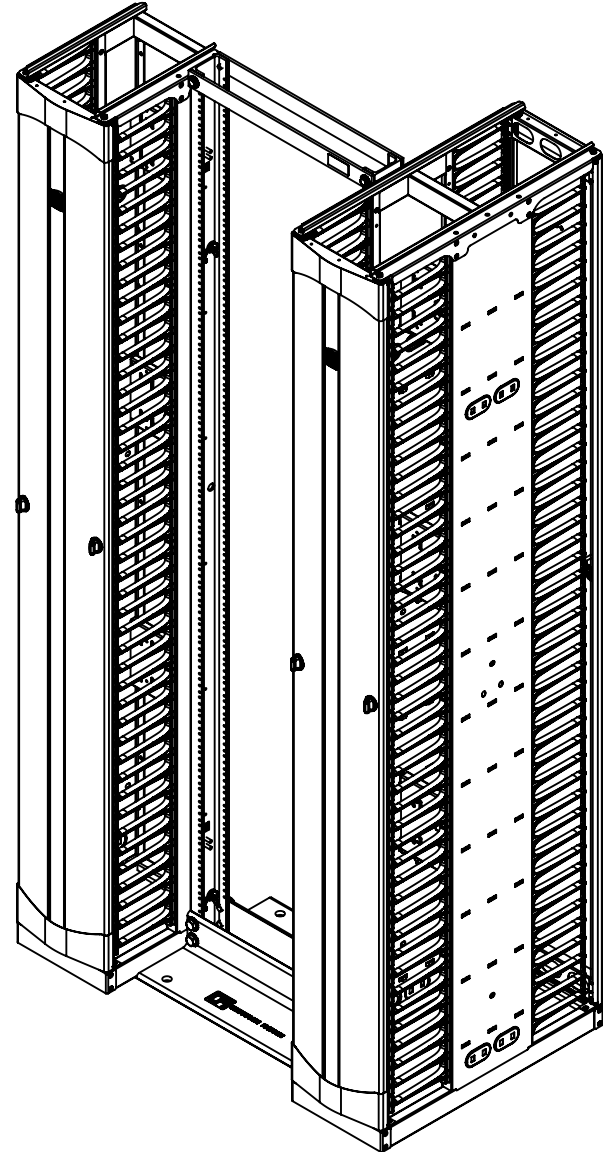
K 5 FB-B; : Make sure door pins engage completely when installing door.

ɁhYbXYX'I gY

Install the Evolution® Vertical Cable Manager (EVCM) only in a restricted service environment, such as a data center. Use indoors only, in environmentally controlled areas; do not use outdoors, in harsh environments or in air-handling spaces. Use this EVCM to house copper and fiber data communications cabling. Allow only qualified service personnel to use this EVCM.

< UFXk UY'ɁWi XYX

- M8x20 Carriage Bolt, 8 ea.
- M8 Wing Nut, 8 ea.
- M8 Fender Washer, 8 ea.
- M8 Lock Washer, 8 ea.



IIS-733531, 01/4/2024, Rev. 1, CPI/BDK
 800-834-4969 (USA & Canada) • www.chatsworth.com • techsupport@chatsworth.com
 : cf 'j b h y b u j c b u ' d l c b y ' b i a v y f g z g y y ' c i f ' k y v g j h ' y ' c f ' w e b h u w i 7 D = H Y W ' G i d d c f h '

V @ / h i : a e a * / h j } c a e } . A j j i a c a e a e a / h j } - a a ^ } c a e h j f i i c a e j } a e a / h j } c & c a h e A M E U E a e a / h j } c a e j } a e h e e E V M a e c e j i a ^ a A A j i a ^ & a j } E a a e j i . ^ A ! A . ^ A h e a e a e a * A ! A c e h j f i i c a e j } h e a i a e a c j i a . . f A i a a a a ^ A c e a ^ c e a e e i a a a / h j } a e j * h i A O c e e , [i c e U i j a ^ & c e U e E

Evolution® Vertical Cable Managers

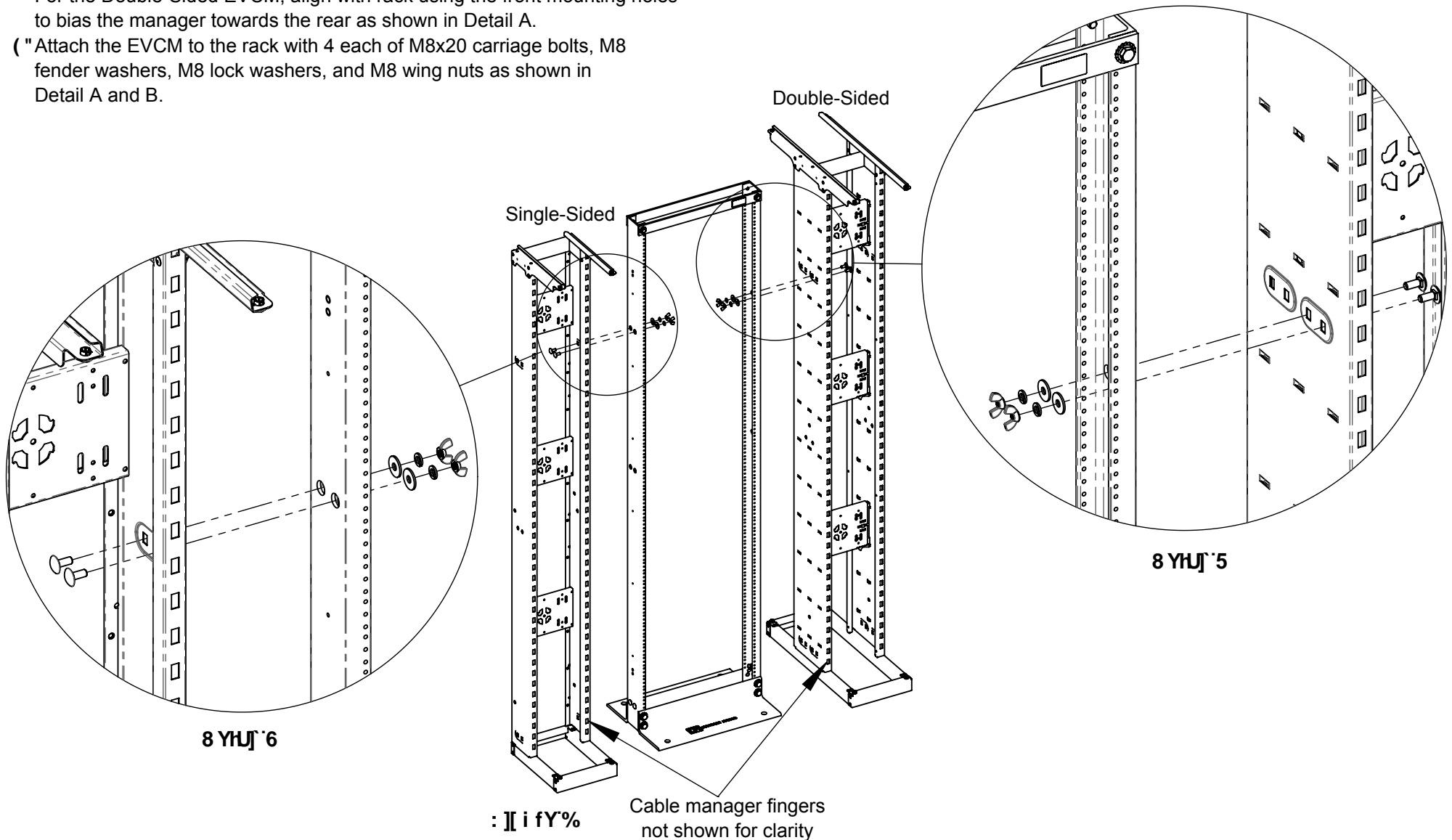
Installation Instructions

1. Stand the Evolution® Vertical Cable Manager (EVCM) and position it next to the rack as shown in Figure 1.

2. The EVCM must be contacting the floor when installed.

3. For the Double-Sided EVCM, align with rack using the front mounting holes to bias the manager towards the rear as shown in Detail A.

4. Attach the EVCM to the rack with 4 each of M8x20 carriage bolts, M8 fender washers, M8 lock washers, and M8 wing nuts as shown in Detail A and B.



Evolution® Vertical Cable Managers

8 ccf`bgH`Ujcb

The door attaches to the EVCM using four hinge mechanisms operated by the knobs on the front of the door. The Evolution® Single-Sided Vertical Cable Manager has only a front door. The Evolution® Double-Sided Vertical Cable Manager has a front and a rear door.

% Position the door with the CPI logo located at the top.

&" Rotate the knobs inward to retract the hinges.

' " Lift the door and place bottom hinges over bushings on the base of the EVCM as shown in Detail C.

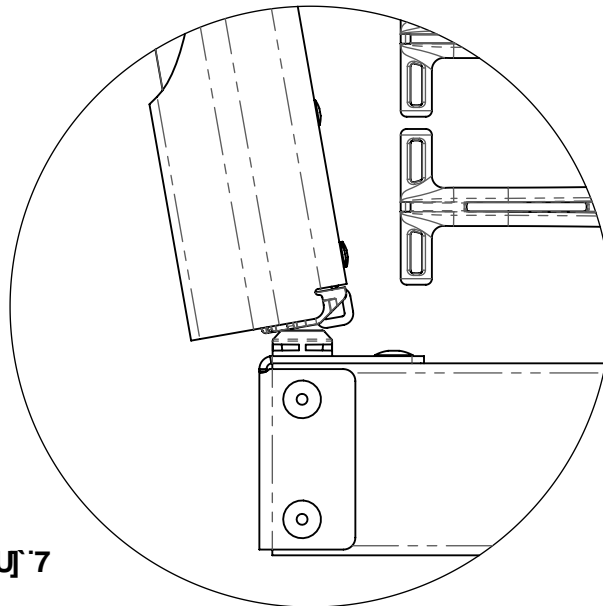
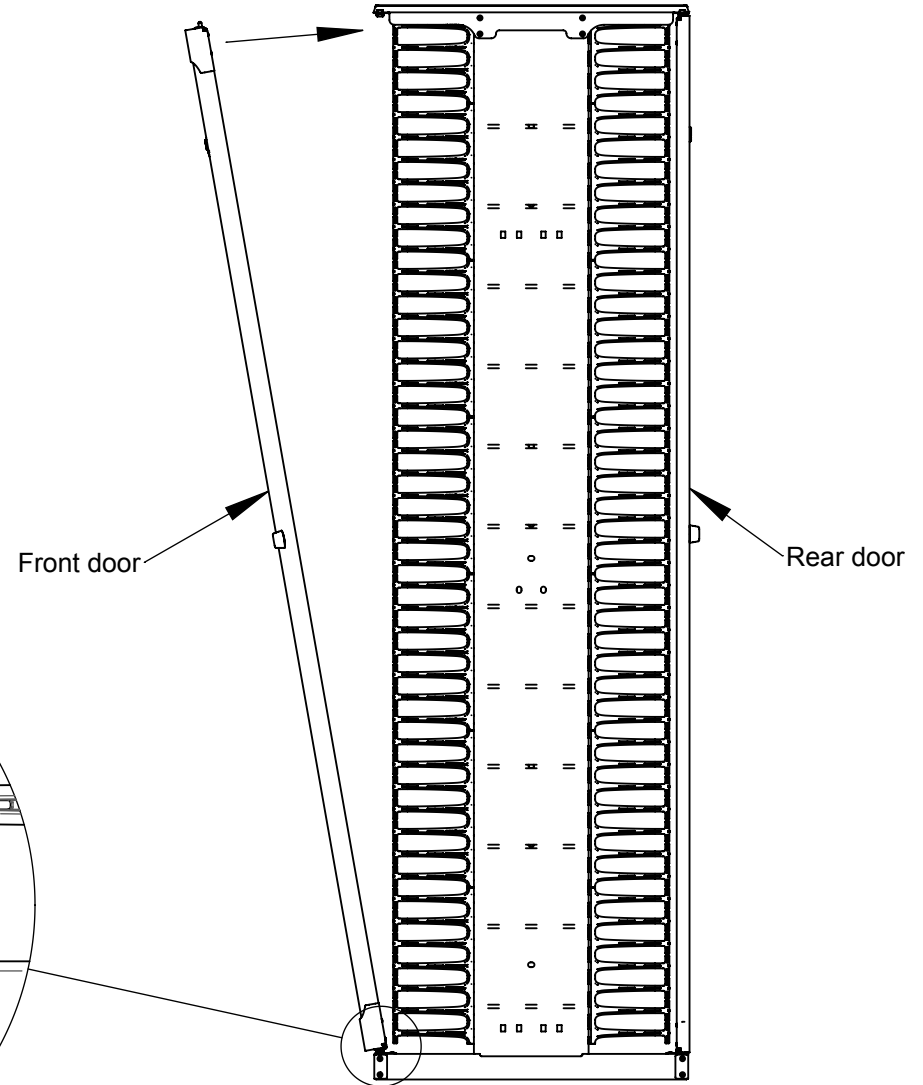
(" Push the top of the door in to align the top hinges with the top bushings as shown in Figure 2.

) " Release the knobs to engage the door hinges with the EVCM.



K 5 FB-B; : Make sure door pins engage completely when installing door.

Double-Sided



8 YHJ`7

: [i fY&

Evolution® Vertical Cable Managers

8ccf`CdYfUjcb

% Closed: All knobs point vertically.

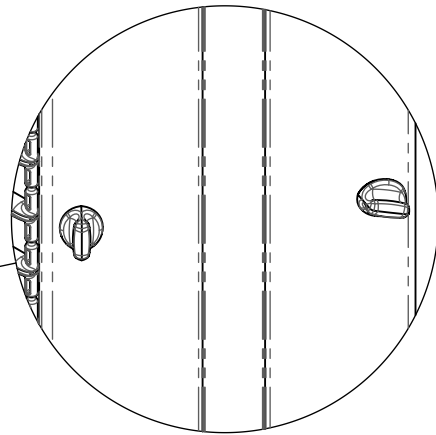
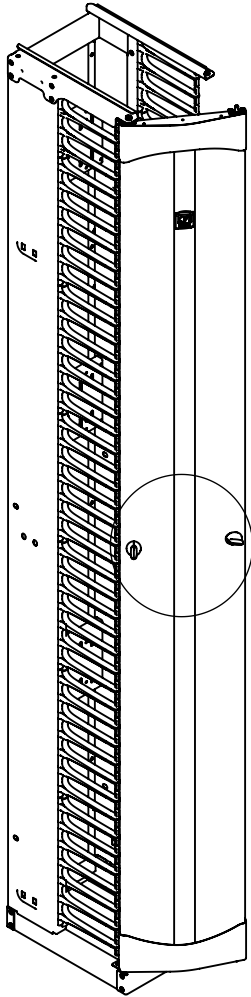
&" Left Hinging: Rotate right knob inward to open door as shown in Detail D.

' " Right Hinging: Rotate left knob inward to open door as shown in Detail E.

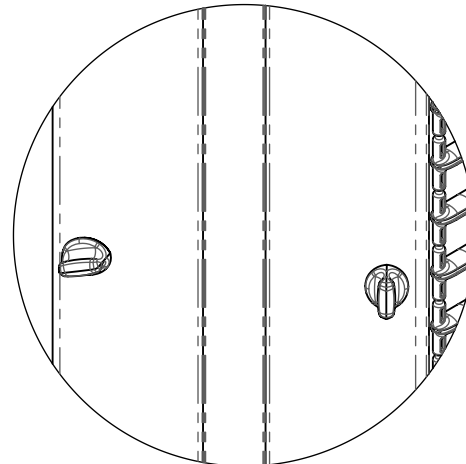
(" Door Removal: Rotate both knobs inward to retract hinges. Lift door to remove from EVCM.

The door opens 180 degrees before the knob contacts the plastic fingers on the EVCM.

Single-Sided

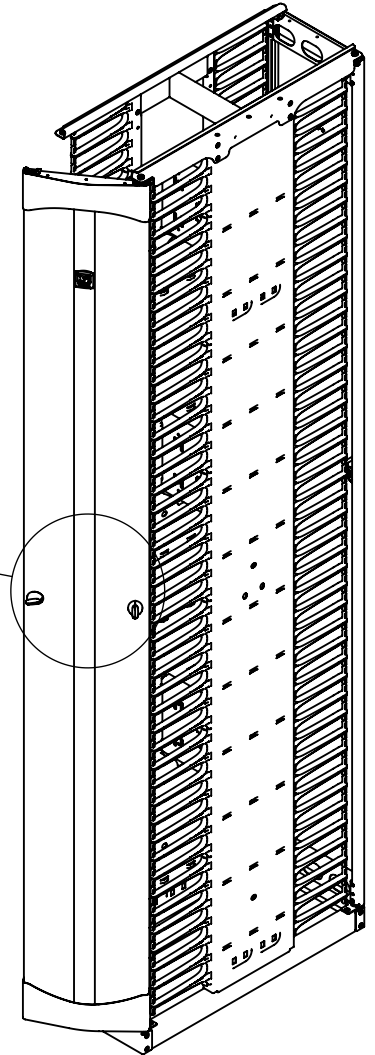


8 YHJ`8



8 YHJ`9

Double-Sided



Evolution® Double-Sided Movable Mid-Section Kit

Introduction

The Double-Sided Movable Mid-Section kit is intended to be used in the Evolution® Double-Sided Cable Managers only. Ensure that you have the correct Accessory Panel width to match the manager width.

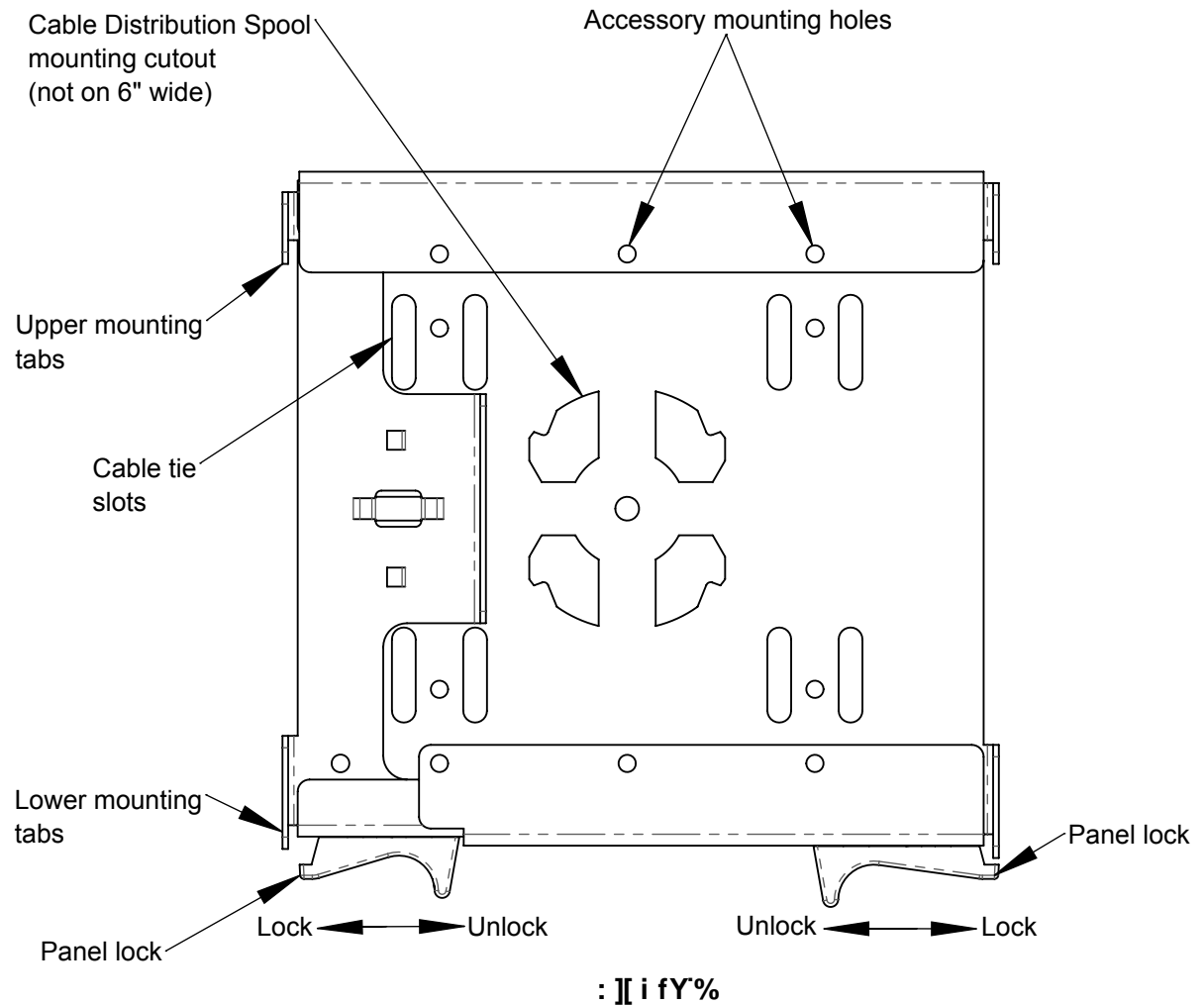
Parts List

Accessory Panel, 3 ea.

Installation

Note: Accessory Panels are designed to accommodate Cable Lashing Bar Kits. If you plan on using these accessories it is recommended that you refer to the Cable Lashing Bar Kit installation instruction sheets for recommended spacing.

The Accessory Panel has two sliding locks located on the bottom edge. Slide the locks inward to the unlocked position, see Figure 1.



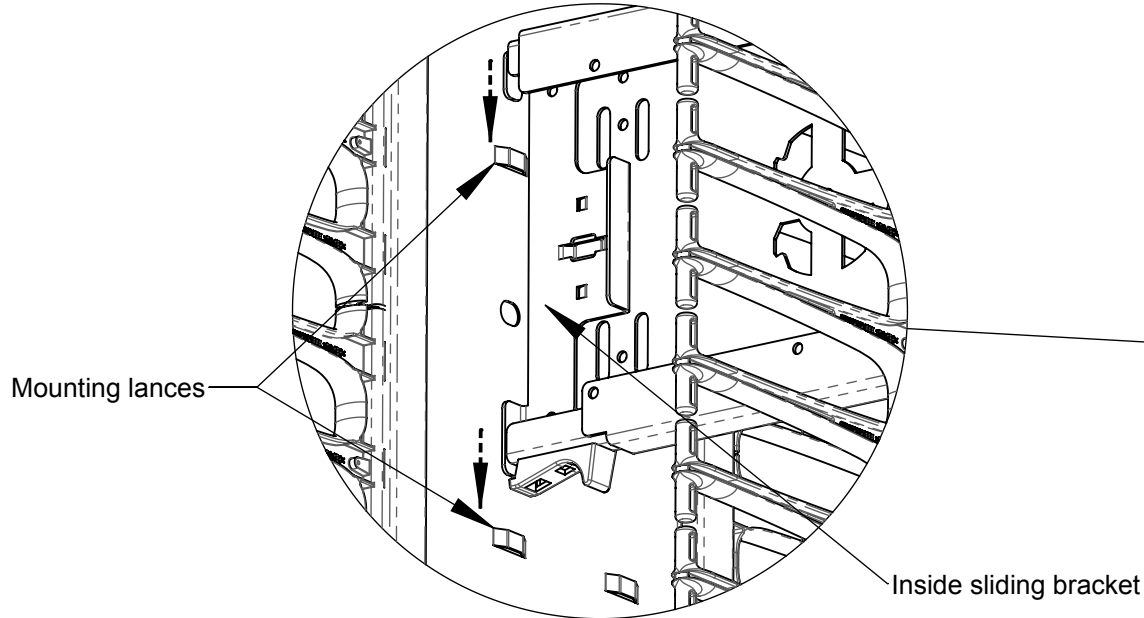
Evolution® Double-Sided Movable Mid-Section Kit

Installation

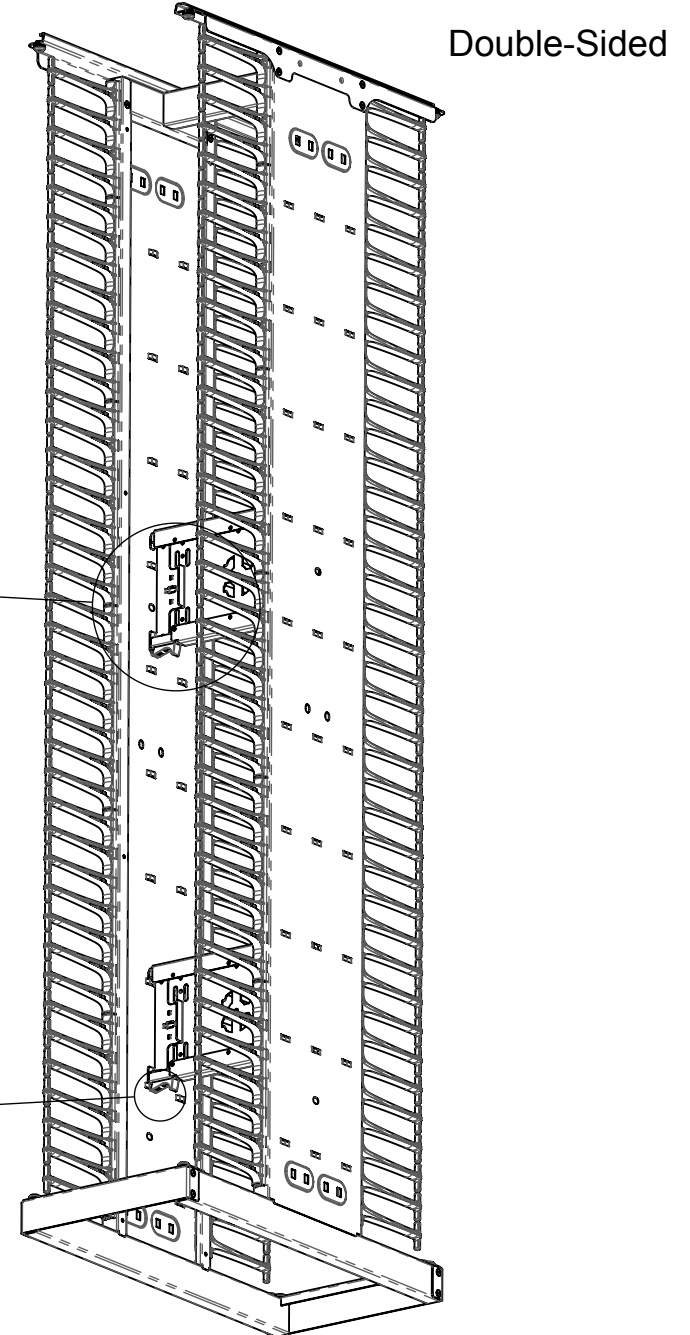
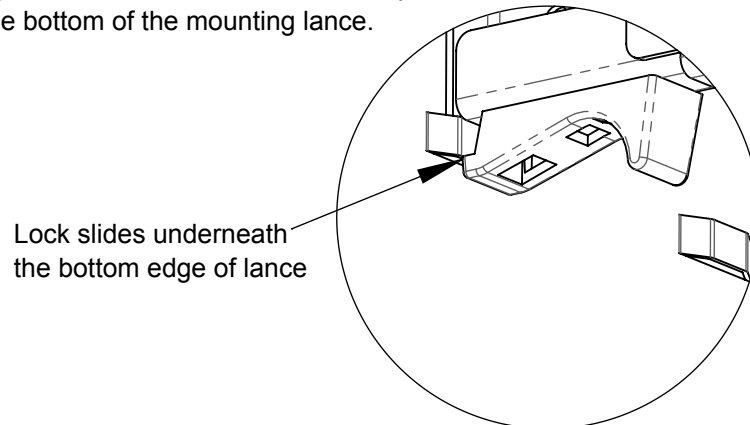
The Double-Sided Movable Mid-Section kit can be mounted anywhere in the cable manager that has a top and bottom pair of mounting lances. The Panel may be mounted in a front, middle, or rear mounting setback position to allow for a custom division of cable management space.

1. Position the Panel above the mounting lances and extend the inside sliding bracket outward until the mounting tabs contact the manager side panels.

2. Slide the Panel down with the mounting tabs being inserted into the mounting lances.



3. Slide the two panel locks outward to the locked position; the end of the lock should be positioned underneath the bottom of the mounting lance.



Evolution® Single Sided Accessory Panel

Installation

Single Sided Accessory Panels are intended to be used in the Evolution® Single Sided Cable Manager only. Ensure that you have the correct Accessory Panel width to match the manager width.

Tools

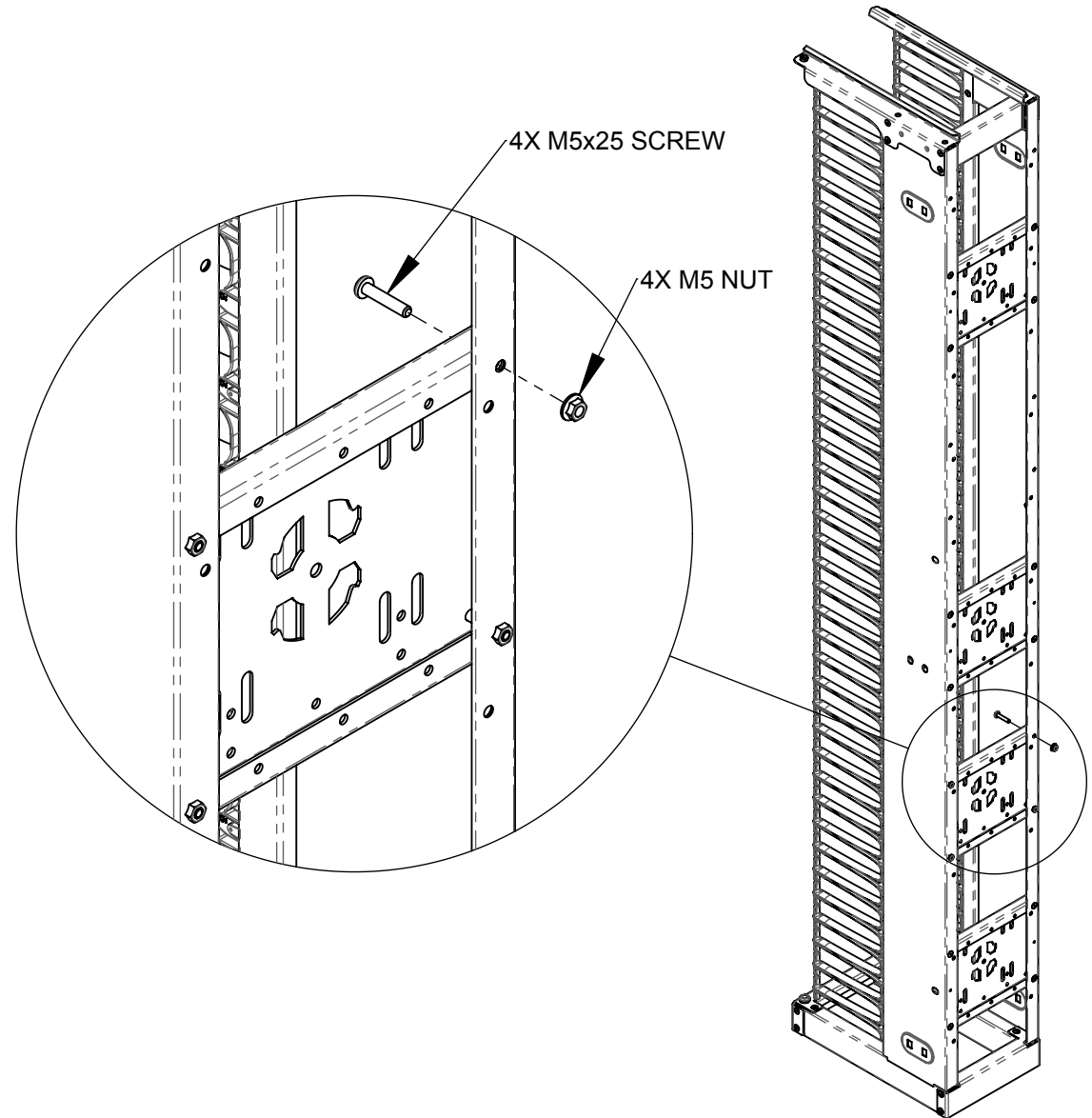
8mm wrench
#2 Phillips Screwdriver

Parts

Accessory Panel, 3 ea.
M5x25 Screw, 12 ea.
M5 Nut, 12 ea.

Procedure

1. Locate set of mounting holes on the rear of the cable manager where the Panel will be installed.
2. It is recommended to install the Panel from the rear of manager. Orient Panel as shown.
3. Mount the Panel using 4 ea. M5x25 pan head screws & M5 hex flange nuts.



Evolution® Full Height Mid-Panel Kits

Double-Sided Kit

The Double-Sided Full Height Mid-Panel kit is intended to be used in the Evolution® Double-Sided Cable Manager only. Ensure you have the correct Full Height Mid-Panel kit height and width to match the manager height and width.

Note: The Double-Sided Full Height Mid-Panel kit is only available for 10"W and larger cable manager sizes.

Assembly

#2 Philips driver

Parts List

Full Height Mid Panel kit upper component, 1 ea.
 Full Height Mid Panel kit lower component, 1 ea.
 M5x12 Taptite Screw, 8 ea.

Installation

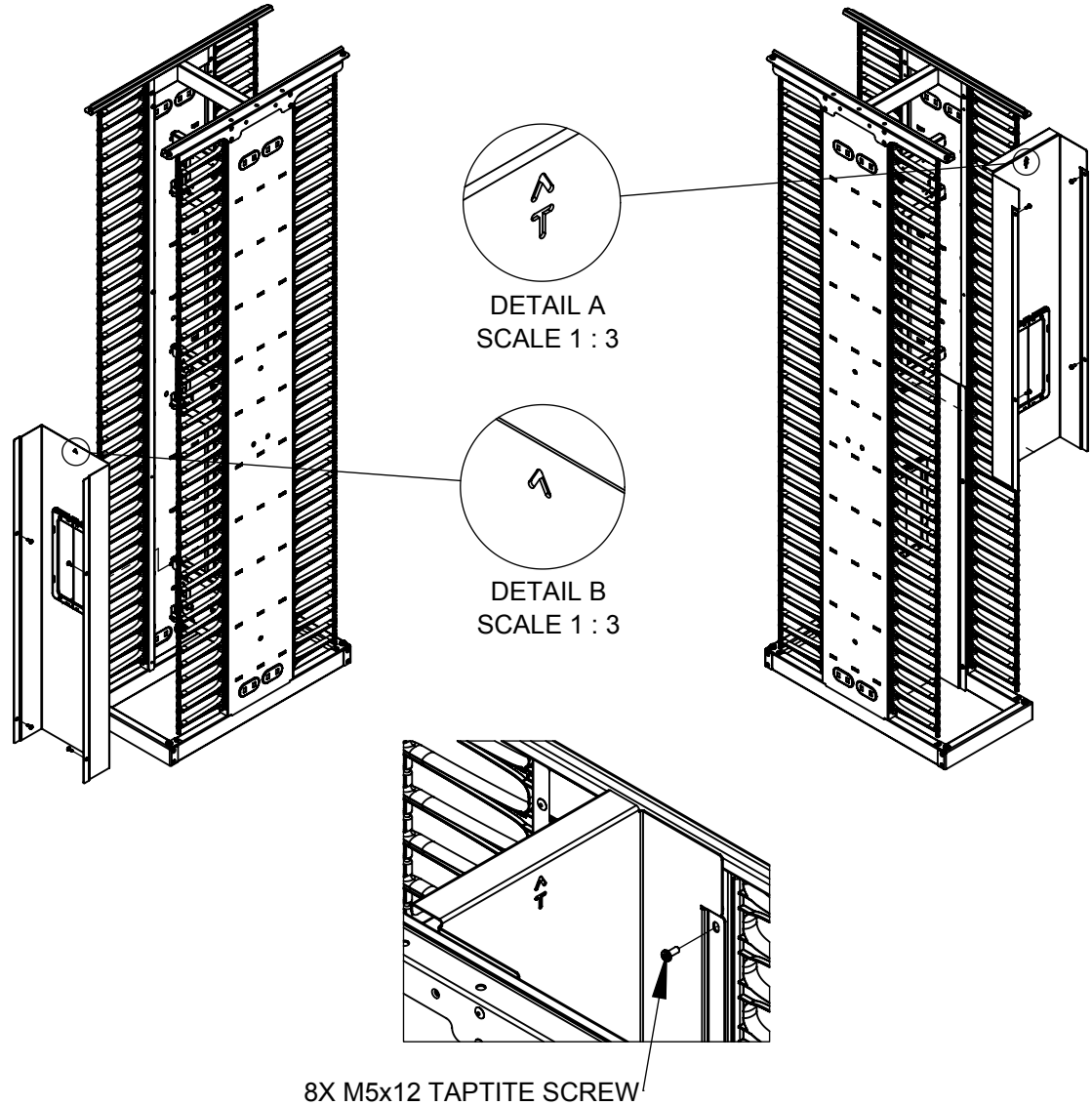
The Double-Sided Full Height Mid-Panel kit attaches using the mounting holes on the manager side panels. Note: the arrow cutouts should point upwards. As well, the top component has a 'T' underneath the arrow, to signify 'Top'.

Fasten Full Height Mid-Panel kit lower component using the M5x12 screws (4 screws).

Hang the Full Height Mid-Panel kit upper component on the cross member of manager.

Fasten the Full Height Mid-Panel kit upper component using the M5x12 screws (4 screws). Adjust the lower component if necessary to minimize the gap between panels.

Double-Sided



Evolution® Full Height Mid-Panel Kits

Single-Sided Full Height Mid-Panel Kit

The Single-Sided Full Height Mid-Panel kit is intended to be used in the Evolution® Single-Sided Cable Manager only. Ensure you have the correct Full Height Mid-Panel kit height and width to match the manager height and width.

Note: The Single-Sided Full Height Mid-Panel kit is only available for 10"W and larger cable manager sizes.

Tools

#2 Philips driver

Parts List

Full Height Mid Panel kit upper component, 1 ea.
Full Height Mid Panel kit lower component, 1 ea.
M5x12 Taptite Screw, 8 ea.

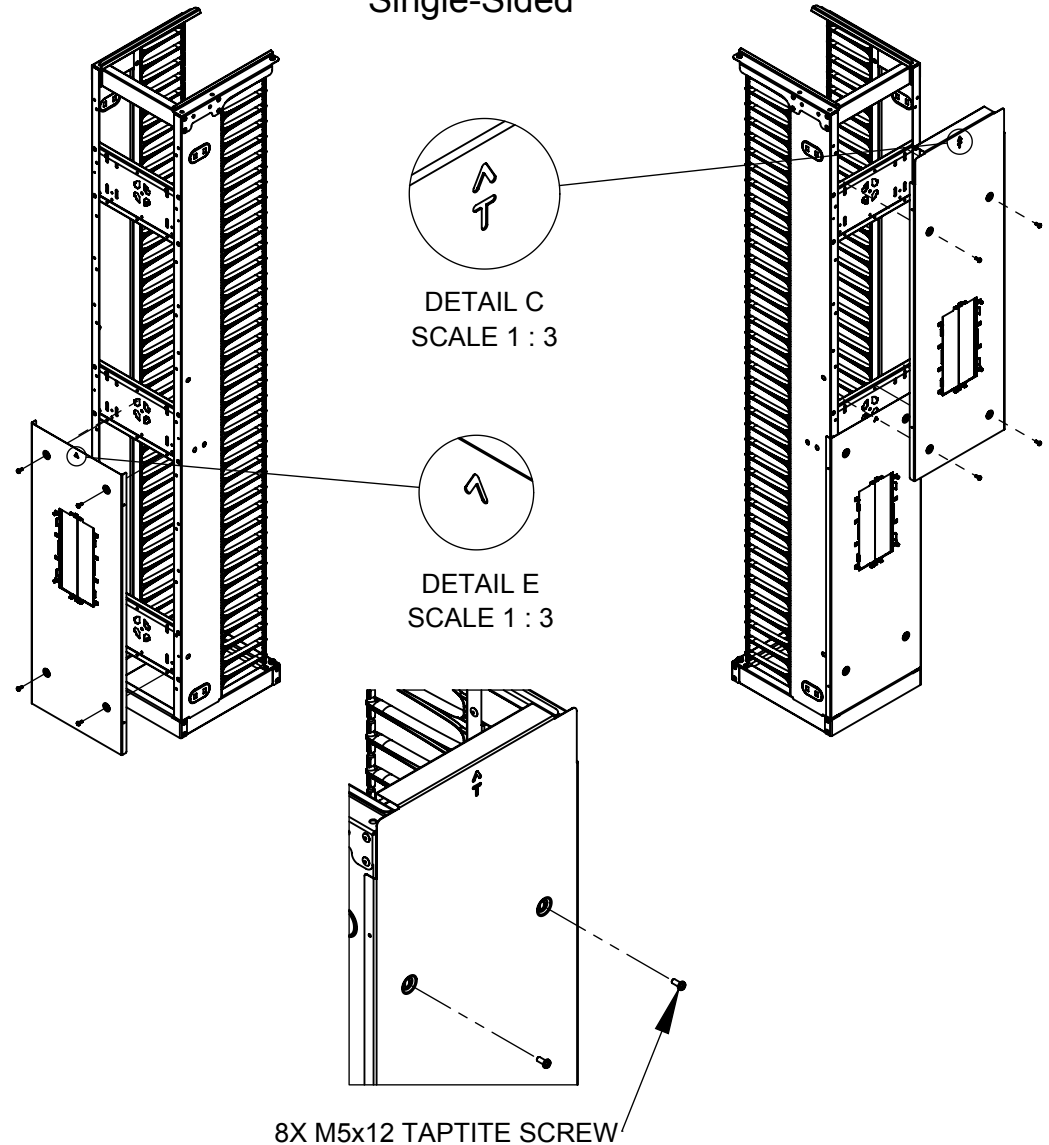
Installation

The Single-Sided Full Height Mid-Panel kit attaches using the mounting holes on the internal mid-panels. Note: the arrow cutouts should point upwards. As well, the top component has a 'T' underneath the arrow, to signify 'Top'.

1. Fasten the Full Height Mid-Panel kit lower component using the M5x12 screws (4 screws), using the lower holes on the internal mid-panels.

2. Hang the Full Height Mid-Panel kit upper component on the cable manager cross member and fasten the component using the M5x12 screws (4 screws), using the upper holes on the internal mid panels. Adjust the lower component if necessary to minimize the gap between panels.

Single-Sided



Evolution® Cable Ring Kit

Installation

Cable Ring Kits are intended to be used in the Evolution® Single Sided Cable Managers only. Ensure that you have the correct Cable Ring width to match the manager width.

Parts List

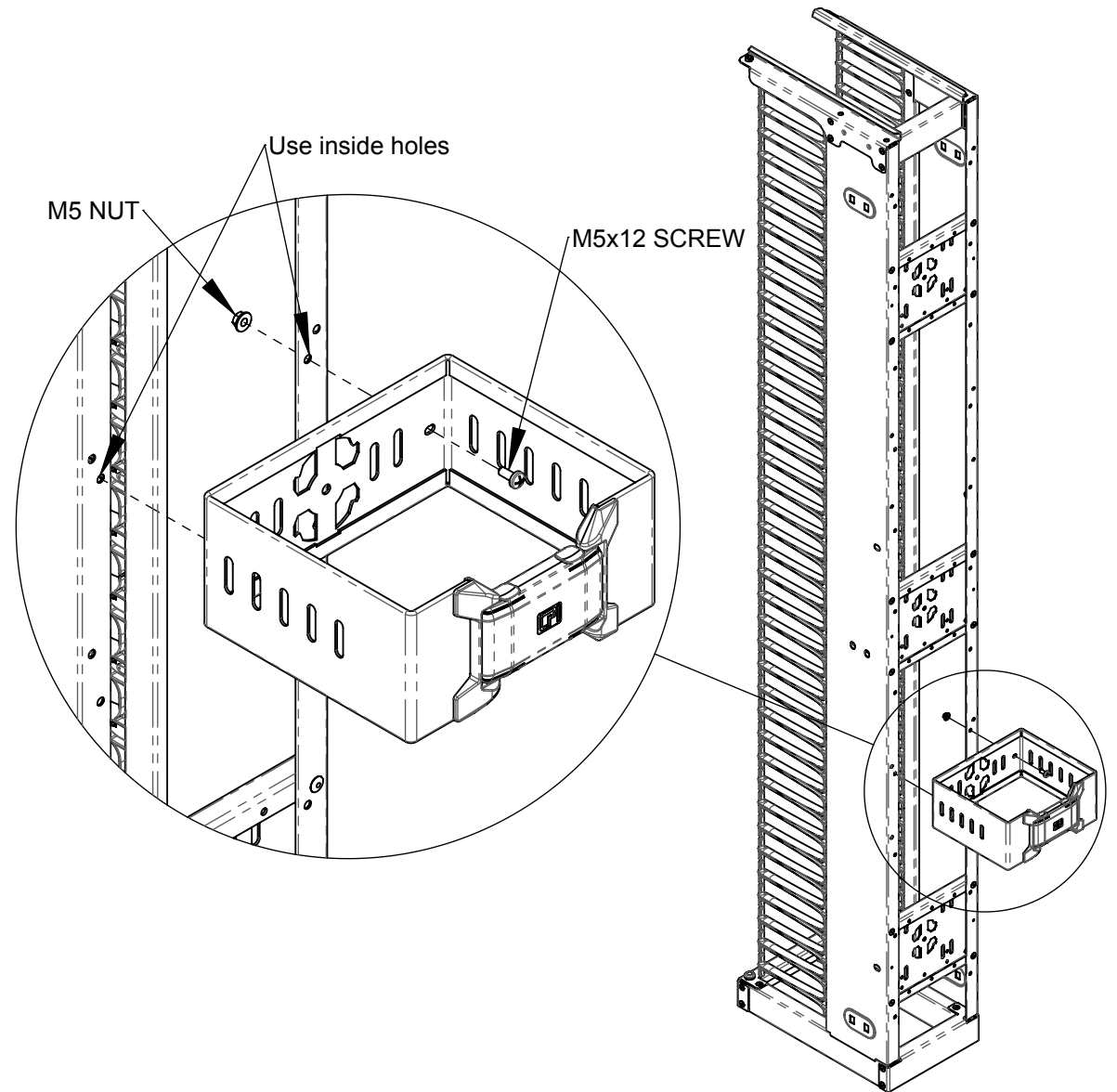
Cable Ring, 5 ea.
M5x12 Screw, 10 ea.
M5 Nut, 10 ea.

Tools

8mm wrench
#2 Phillips Screwdriver

Notes

- 1. The Cable Rings are mounted to the rear flanges of the cable manager using the two innermost pair of holes.
- 2. Mount each Cable Ring using 2 ea. M5x12 pan head screws & M5 hex flange nuts.



Evolution® PDU Bracket Kit

Introduction

The PDU Bracket Kit is intended to be used on the Evolution® Single-Sided and Double-Sided Cable Managers. The 6" wide bracket can mount a single PDU and the 8"-15" wide bracket can mount up to two 2.2" wide PDUs.

Tools

#2 Philips driver

Parts

Lower PDU Bracket, 1 ea.

Upper PDU Bracket, 1 ea.

M5x10 Screw, 8 ea. for 6" bracket, 4 ea for 8"-15" bracket

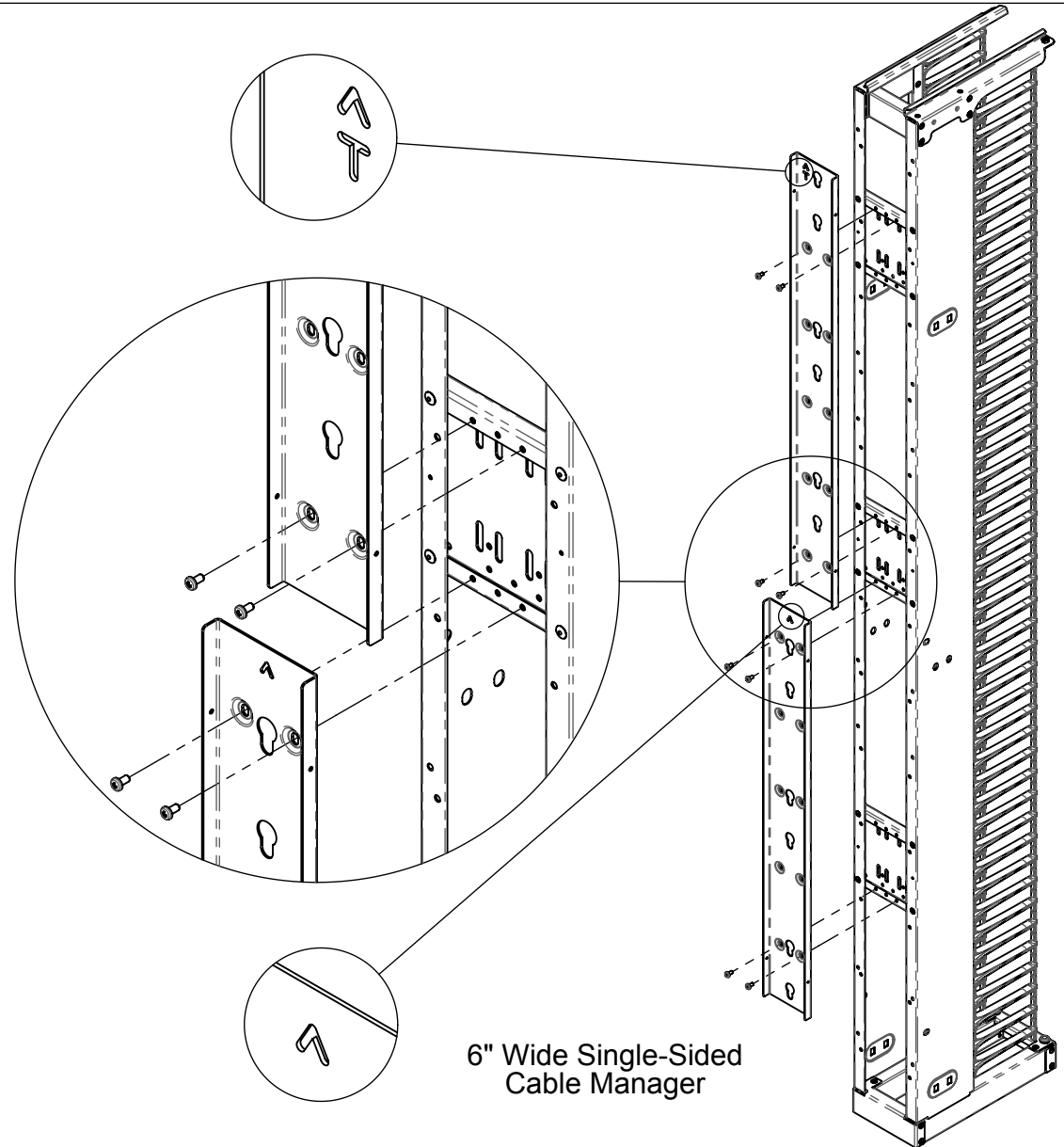
Installation

The 6" wide PDU Bracket Kit attaches to the rear mounting holes on either the single-sided managers fixed mid-panels or the movable mid-panels on the double-sided manager.

For the 6" wide cable manager, use four M5x10 screws to mount the lower bracket to the center and bottom mid-panels. The top two mounting holes on the bracket must be used to mount the bracket to the lower holes on the center mid-panel. Note: the arrow cutouts should point upwards. As well, the top bracket has a 'T' underneath the arrow, to signify 'Top'.

Mount the upper bracket, with four M5x10 screws, to the center and top mid-panels. The bottom two mounting holes on the bracket must be used to mount the bracket to the upper holes on the center mid-panel.

For the 8"-15" wide cable managers, use only one screw at the top and bottom of each bracket.



6" Wide Single-Sided Cable Manager

Evolution® PDU Bracket Kit

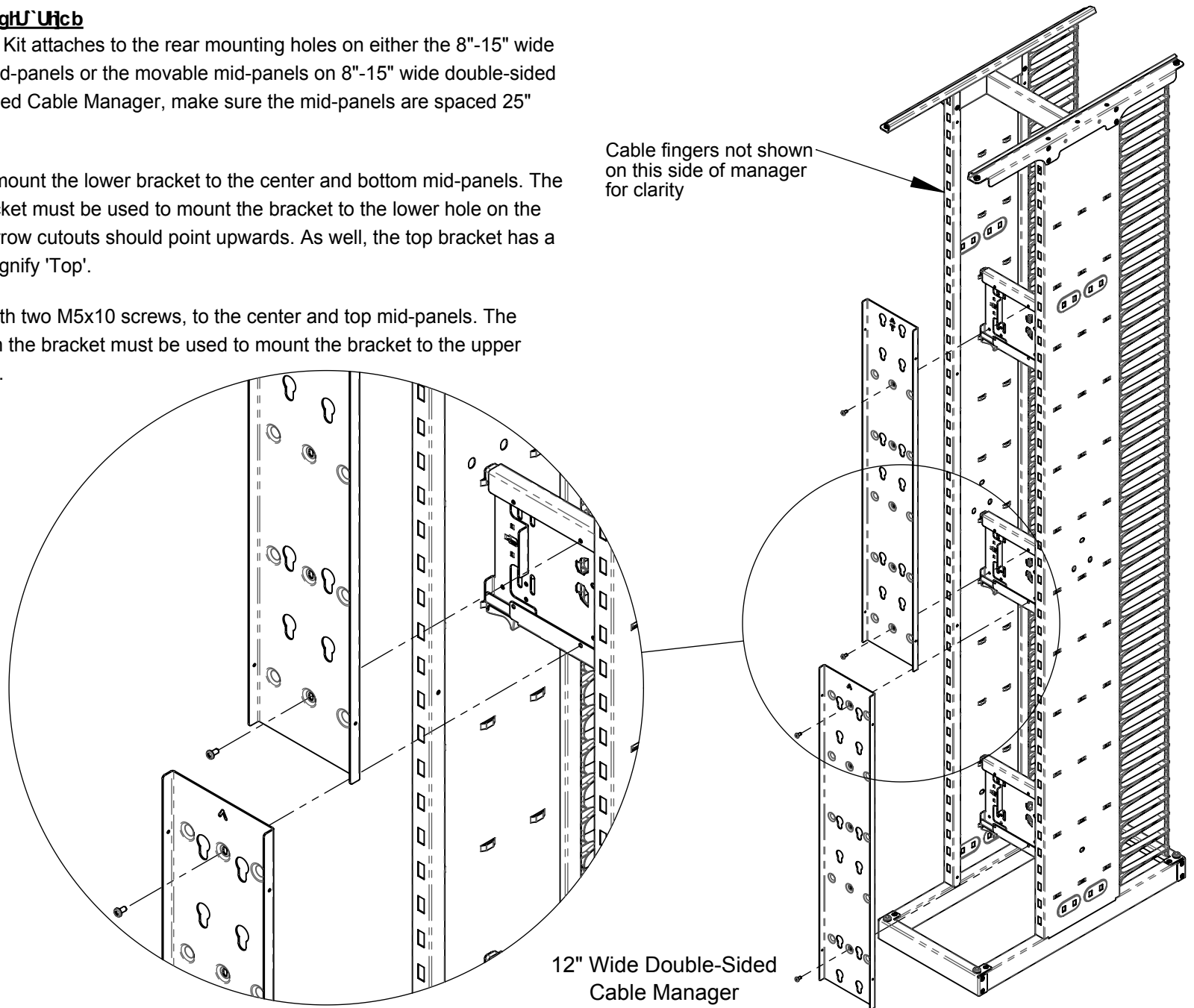
Installation Instructions

The 8"-15" wide PDU Bracket Kit attaches to the rear mounting holes on either the 8"-15" wide single sided manager fixed mid-panels or the movable mid-panels on 8"-15" wide double-sided managers. On the Double-Sided Cable Manager, make sure the mid-panels are spaced 25" apart from each other.

Use two M5x10 screws to mount the lower bracket to the center and bottom mid-panels. The top mounting hole on the bracket must be used to mount the bracket to the lower hole on the center mid-panel. Note: the arrow cutouts should point upwards. As well, the top bracket has a 'T' underneath the arrow, to signify 'Top'.

Mount the upper bracket with two M5x10 screws, to the center and top mid-panels. The bottom two mounting holes on the bracket must be used to mount the bracket to the upper holes on the center mid-panel.

Cable fingers not shown on this side of manager for clarity



Evolution® Fiber Segregation Kit

Kit Contents

The Fiber Segregation Kit creates a separate pathway for fiber cables and patch cords inside Evolution® Vertical Cable Managers.

Fiber Segregation Assembly, 3 ea.

Fiber Segregation Assembly, 3 ea.
M5x12 Taptite Screws, 6 ea.

#3 Phillips Screw Driver

#3 Phillips Screw Driver

Installation

The number of Fiber Segregation assemblies that can be mounted in an Evolution cable manager depends on the manager height as follows:

7' = 3

8' = 3

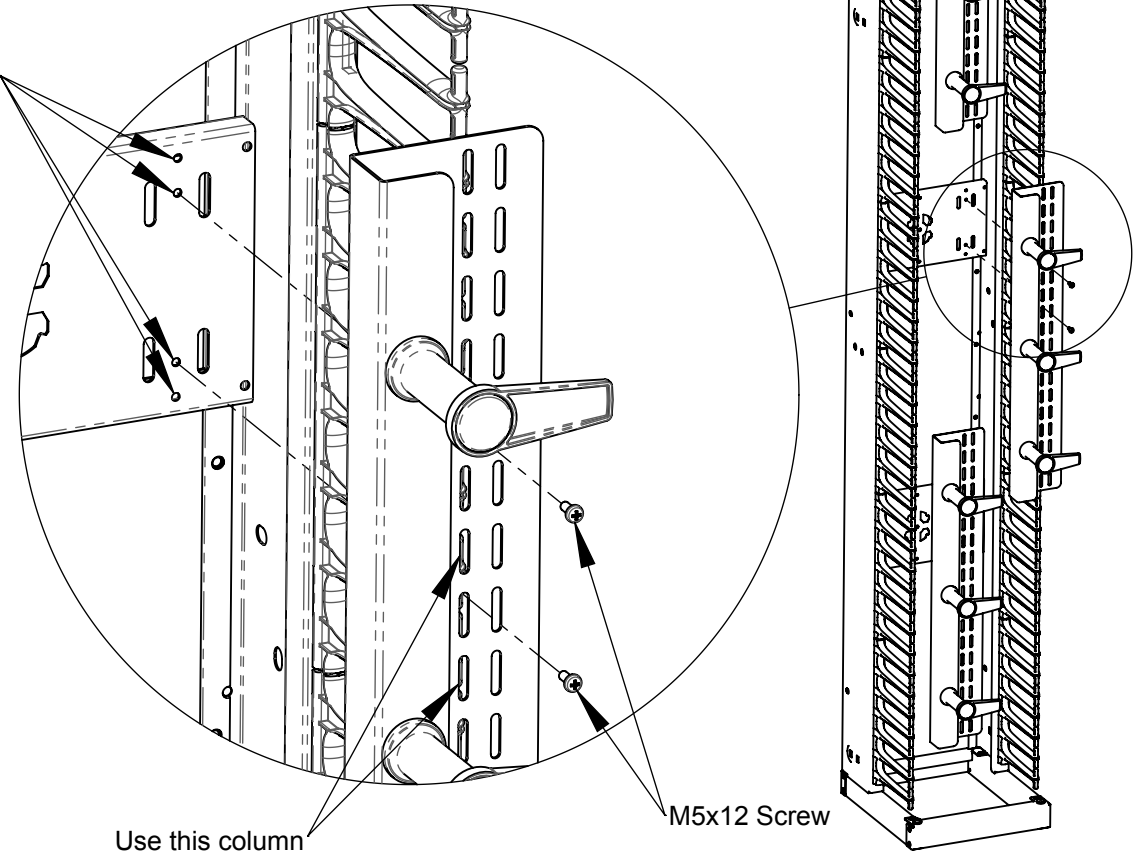
9' = 4 (Requires an additional Accessory Panel)

Mount each assembly using two M5x12 screws at locations shown on page 2.

Insert the M5x12 screws through the slots in the Fiber Segregation bracket closest to the indexing spool as shown in Figure 1.

Attach the assembly using the mounting holes in the Accessory Panel as shown in Figure 1.

Accessory panel mounting holes

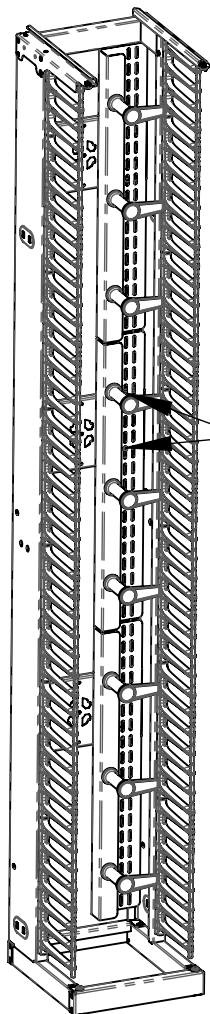


Use this column of slots for mounting

3

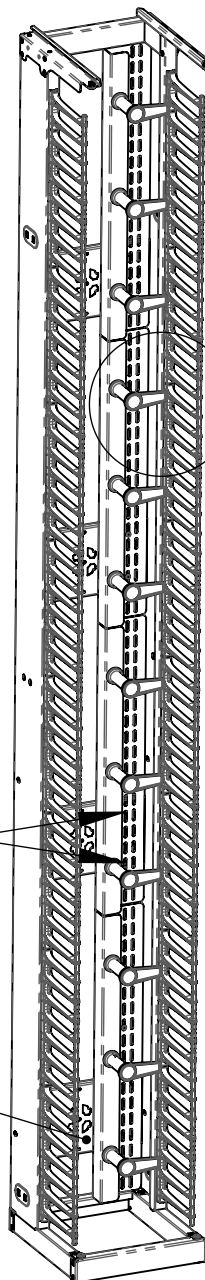
M5x12 Screw

Evolution® Fiber Segregation Kit



Each Fiber Manager mounts to a single accessory panel with two screws

+f/ ; fi
7 U'Y'A UbU' Yfg



Each Fiber Manager mounts to a single accessory panel with two screws

Additional accessory panel mounted at bottom

Spool can be rotated 360° with stops at 90°

Slots can be used for cable strapping

- fi7 U'Y'A UbU' Yf

Evolution® Tool-Less & Adjustable Cable Distribution Spool

Evolution® Tool-Less & Adjustable Cable Distribution Spools

The Tool-Less & Adjustable Cable Distribution Spools provide cable slack management and strain relief inside Evolution® Vertical Cable Managers.

Adjustable Cable Spool, 3 ea.

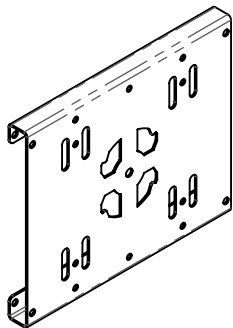
Adjustable Cable Spool, 3 ea.

Cable Distribution Spools

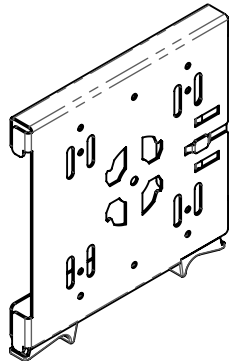
The cable distribution spools attach to the fixed accessory panels on the Single-Sided Cable Managers, the movable accessory panels on the Double-Sided Cable Managers, and the cable rings on Combination Cable Managers.

Installation

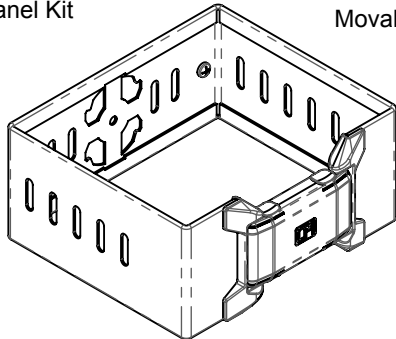
- 1. Align the spool mounting posts with the cutouts on the accessory panel or ring.
- 2. Insert the posts through the cutouts.
- 3. Rotate the spool clockwise until it locks in place. **Caution:** Grasp the spool at the base when rotating, not the spool flange.
- 4. If desired, a second spool can be mounted on the opposite side of the panel, see sheet 2.



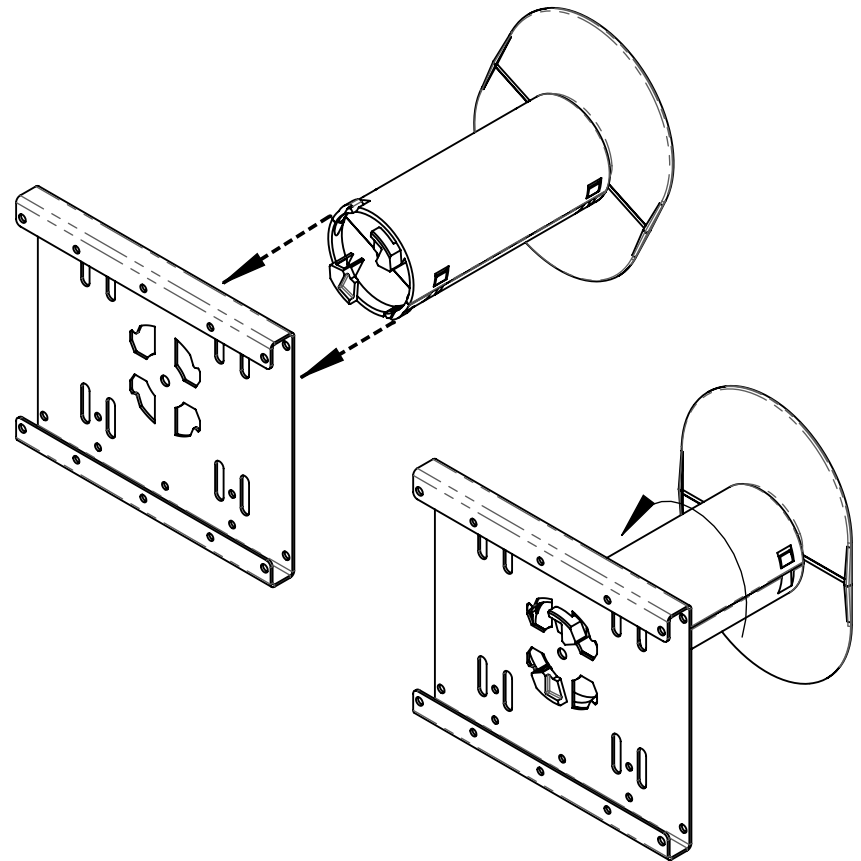
Fixed Accessory Panel Kit



Movable Mid-Section Kit



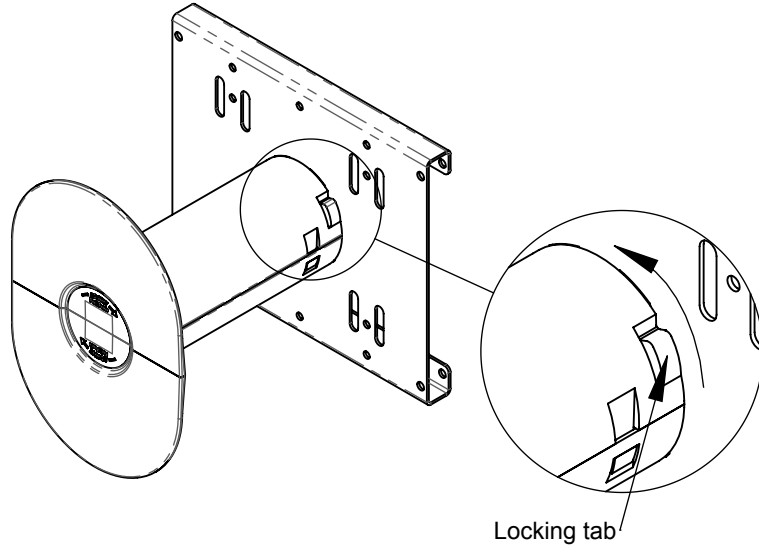
Cable Ring Kit



Evolution® Tool-Less & Adjustable Cable Distribution Spool

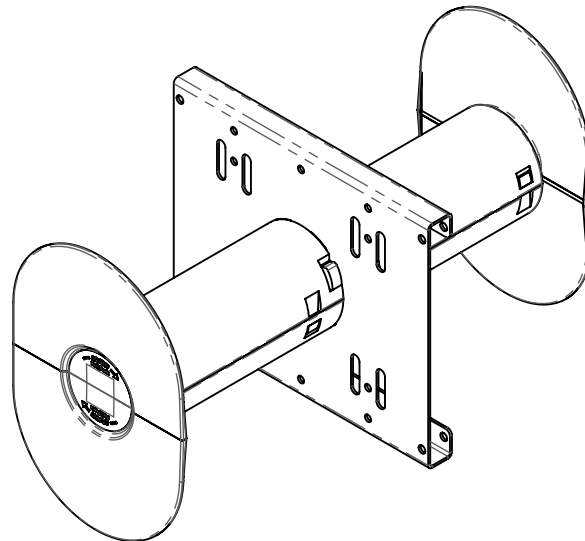
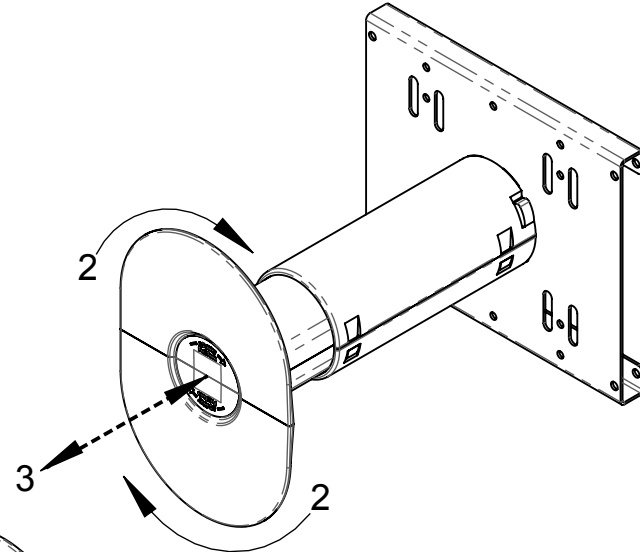
Installation

- 1. Squeeze the two locking tabs inward at the base of the spool.
- 2. Rotate the spool counterclockwise.
- 3. Pull the spool out of the cutout.



Adjustment

- 1. The spool length can be adjusted from 6" to 10.25" long in 1/4" increments.
- 2. Hold the spool flange and twist it clockwise, about 10 degrees, to unlock it.
- 3. While holding the spool flange in the unlocked position, push or pull the spool to the desired length and release to lock it in place.



Evolution® Two-Piece Side Panel Kits

Double-Sided Kit

The Double-Sided Side Panel kit is intended to be used in the Evolution® Double-Sided Cable Manager only. Ensure you have the correct Side Panel height to match the manager height.

Parts List

- Side Panel Kit, 2 ea.
- M6 Wingnut, 4 ea.
- M6 Washer, 4 ea.

Installation

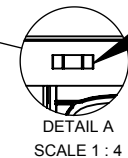
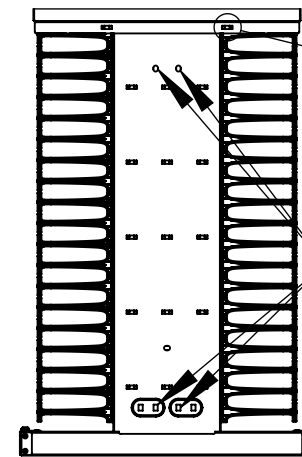
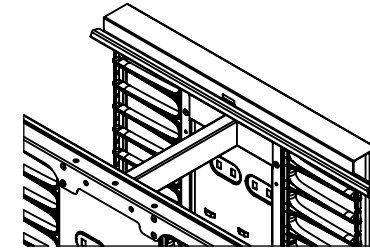
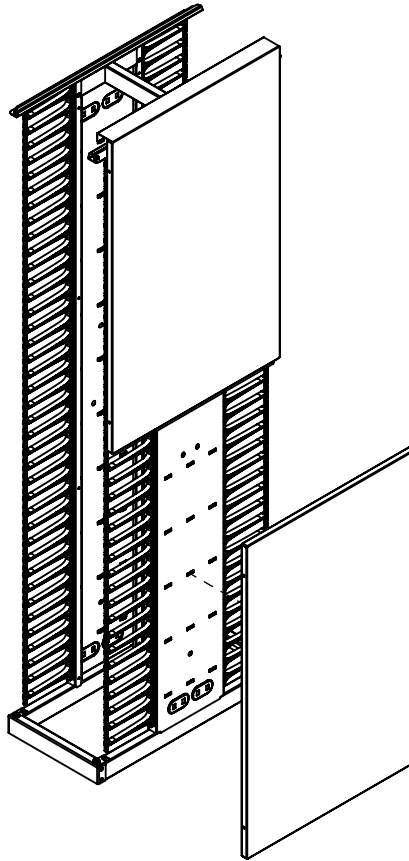
The Two-Piece Side Panel kit upper panel hangs on the top of the manager and is secured by mounting the lower panel using the included hardware.

1. Hang upper Side Panel first, using the manager horizontal tube to locate the center.

2. Insert the lower Side Panel studs through the designated holes in the manager. The upper Side Panel lances should be used for locating the manager holes.

3. Fasten the lower Side Panel using the M6 Wingnuts (4 total) and M6 Washers (4 total) from inside of the manager.

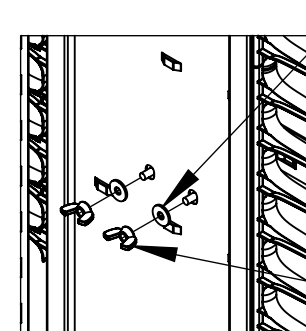
Double-Sided



LOWER PANEL HANGS ON UPPER PANEL LANCES

DETAIL A
SCALE 1 : 4

LOWER PANEL STUDS INSERT THROUGH CENTER EMBOSS CUTOUTS & MANAGER SLOTS SHOWN



4X M6 WASHER

4X M6 WINGNUT

Evolution® Two-Piece Side Panel Kits

Single-Sided

The Single-Sided Side Panel is intended to be used in the Evolution® Single-Sided or Combination Style Cable Managers only. Ensure you have the correct Side Panel height to match the manager height.

Hardware

- Side Panel Kit, 2 ea.
- M6 Wingnut, 4 ea.
- M6 Washer, 4 ea.

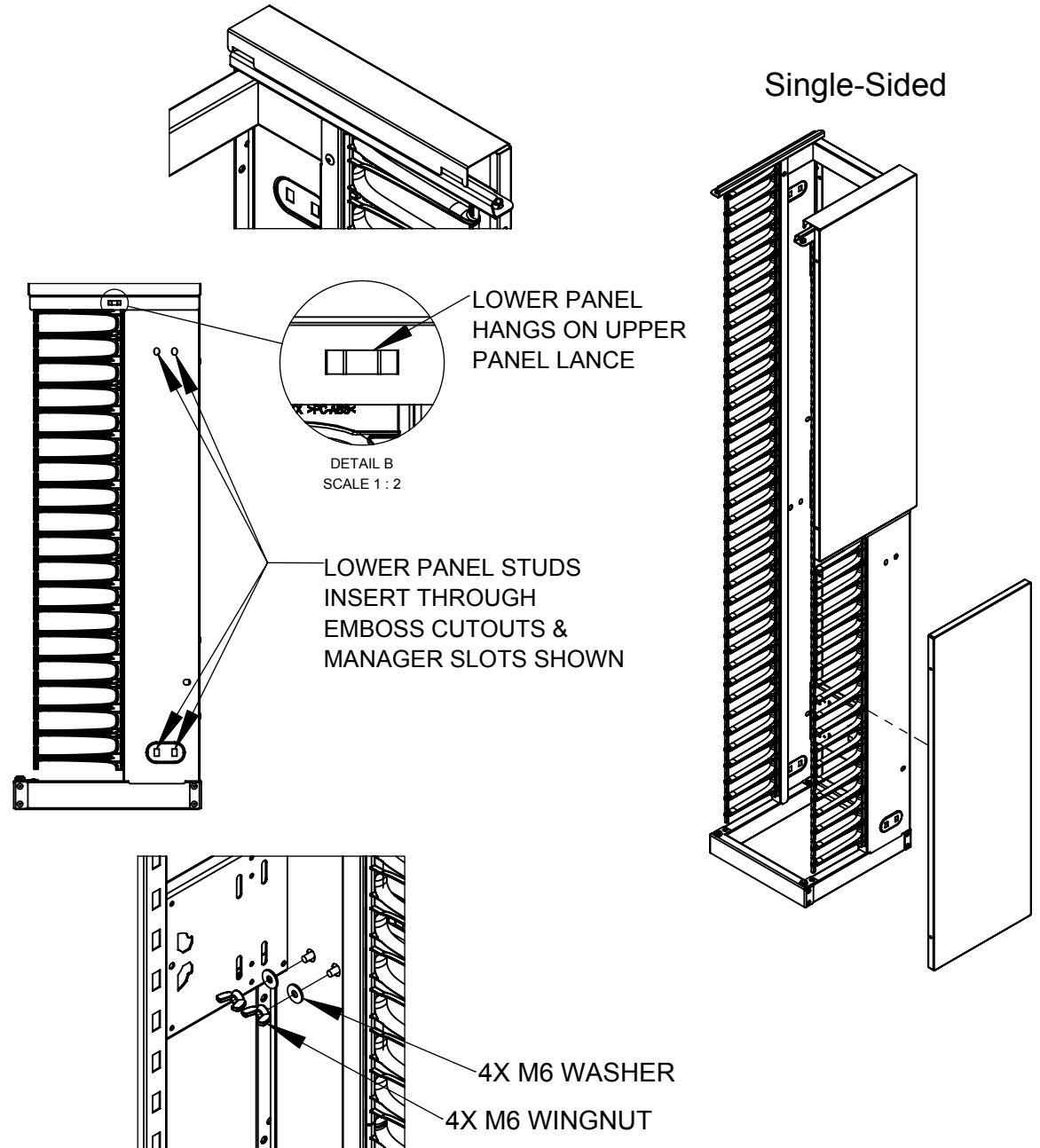
Installation

The Two-Piece Side Panel kit upper panel hangs on the top of the manager and is secured by mounting the lower panel using the included hardware.

1. Hang upper Side Panel first, using the manager horizontal tube to locate the center.

2. Insert the lower Side Panel studs through the designated holes in the manager. The upper Side Panel lance should be used for locating the manager holes.

3. Fasten the lower Side Panel using the M6 Wingnuts (4 total) and M6 Washers (4 total) from inside of the manager.



Installation Instructions

Cable Divider Bar Kit

Tools Required

#2 Phillips screwdriver

Intended Use

Cable Divider Bar Kit provides tie points for cables inside Evolution® Vertical Cable Managers and divides the interior of the cable manager to create multiple channels for cables.

Included Hardware

- Qty 10 ea – Pan Head Taptite Screws, 10-32 x 1/2"
- Qty 4 ea – Cable Divider Bars

10-32 x 1/2" Taptite Screw

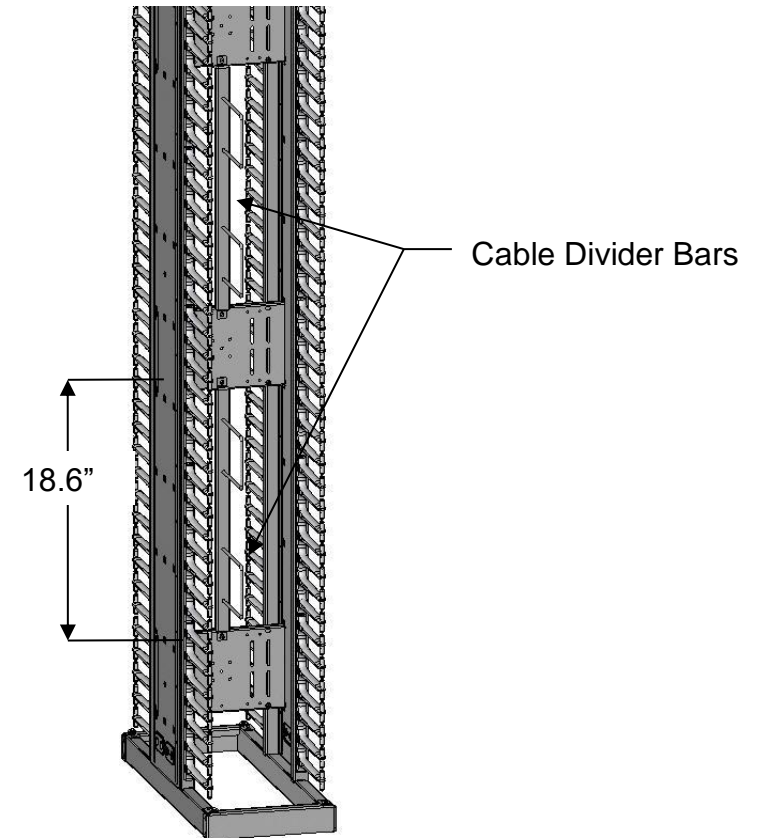


Cable Divider Bar



Verify Mid-Section Locations

In order for the Cable Divider Bar to mount to the Accessory Panel on the Single-Sided Evolution or the Moveable Mid-Section on the Double-Sided Evolution, the distance between the panels must be 18.6 inches.



CHATSWORTH PRODUCTS, INC.

IIS-735503, 01/06/10, Rev. 2, CPI/D. Alaniz

800-834-4969 (USA & Canada) • www.chatsworth.com • techsupport@chatsworth.com

For international phone numbers, see our website or contact CPI Tech Support.

This drawing contains proprietary and confidential information and is protected by U.S. and international law. Unauthorized reproduction, disclosure or use of the drawing or the information therein is expressly forbidden except as agreed to in writing by Chatsworth Products, Inc.

Installation Instructions

Cable Divider Bar Kit

Assembly Sequence

NOTE: For easier installation, attach Cable Divider Bar Kit before installing optional Cable Spool Kit provided with Vertical Cable Manager.

1. Cable Divider Kits ship with all necessary hardware included.
2. Locate the included hardware and verify contents.
3. The Divider Bars attach to the Fixed Accessory Panels on the back of single-sided vertical managers and the Movable Mid-Sections inside double-sided vertical cable managers.
4. The Divider Bars can attach to any of the mounting holes in the mid-sections of the vertical cable managers.
5. Mount a single Divider Bar using two 10-32 x 1/2" screws as shown in Figures 1 and 2.

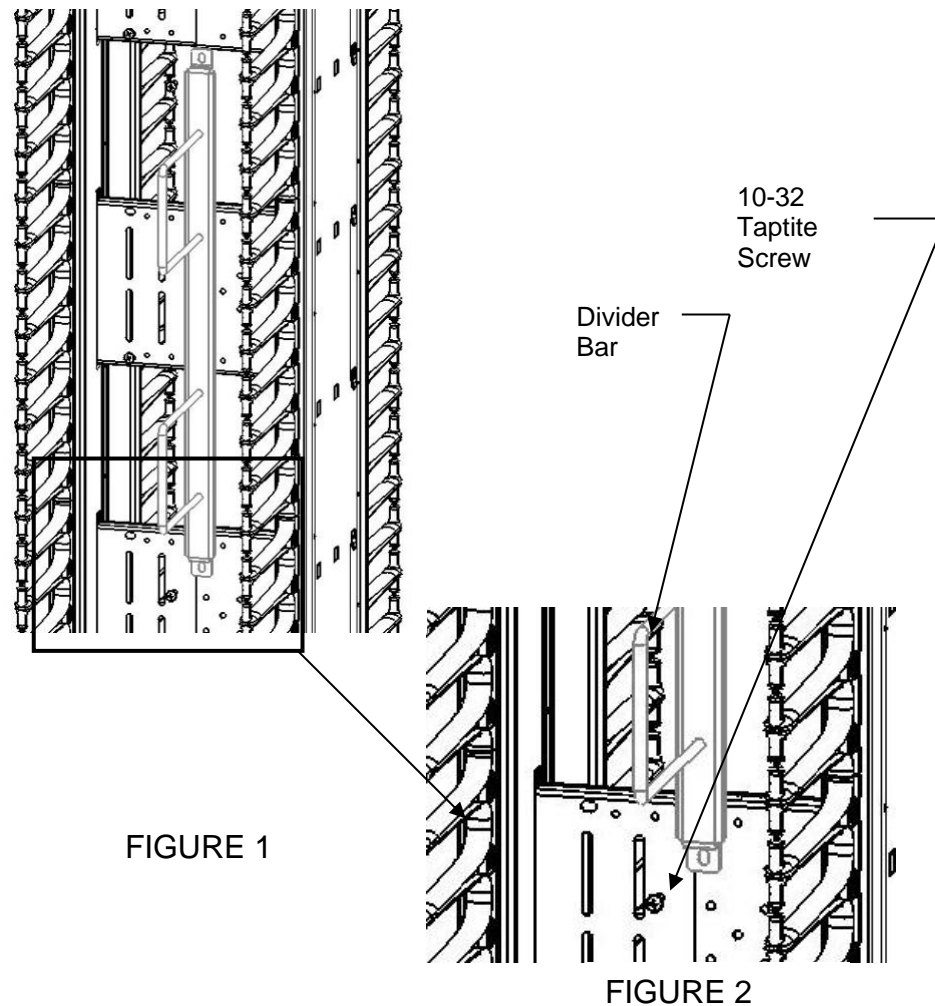


FIGURE 1

FIGURE 2

Installation Instructions

Floor Bracket Kit

Tools Required

Appropriate equipment for 1/4" hardware

Intended Use

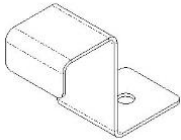
Evolution™ Floor Bracket stabilizes the base of Evolution® Vertical Cable Managers to the floor when located at the end of a row of equipment racks.

Warning: Brackets are for light duty use only and are not intended for anchoring application.

Included Hardware

- Hardware not included
- Qty 12 ea – Floor Bracket

Floor Bracket

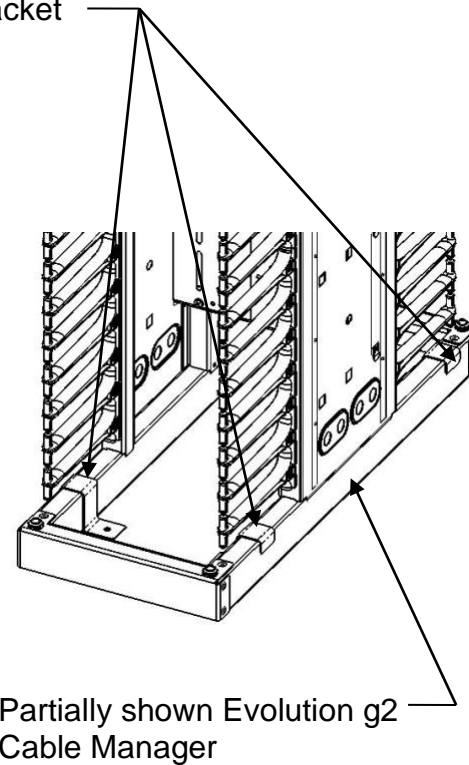


Verify Cable Manager

For best results, it is recommended to use two (2) brackets on the double-sided Evolution Cable Manager and one (1) bracket on the single-sided Evolution Cable Manager. Locate the bracket(s) on the side of the vertical cable manager not attached to the rack.

Assembly Sequence

Floor Bracket



Partially shown Evolution g2
Cable Manager



CHATSWORTH PRODUCTS, INC.

IIS-735506, 01/06/10, Rev. 2, CPI/D. Alaniz

800-834-4969 (USA & Canada) • www.chatsworth.com • techsupport@chatsworth.com

For international phone numbers, see our website or contact CPI Tech Support.

This drawing contains proprietary and confidential information and is protected by U.S. and international law. Unauthorized reproduction, disclosure or use of the drawing or the information therein is expressly forbidden except as agreed to in writing by Chatsworth Products, Inc.

Installation Instructions

Floor Bracket Kit

1. Obtain appropriate ¼" hardware for the application.
2. Locate Brackets and verify contents.
3. Determine the number of Brackets required for the application:
 - a. One (1) Bracket is recommended for the single-sided Evolution Cable Manager
 - b. Two (2) Brackets are recommended for the double-sided Evolution Cable Manager
4. If 3b above applies go to step 6, if 3a above applies proceed to the next step.
5. Install Bracket alongside the base frame member. Bracket may be installed on the inside or outside of the cable manager. Refer to Figure 1.
6. Install Brackets alongside the base frame member, front and one rear, Brackets may be installed on the inside or outside of the cable manager. See Figure 2 and 1.
7. Brackets are designed to have a small gap between floor and bottom of the bracket's mounting flange. This gap provides a light spring-load to the manager's base when properly installed. Verify if "gap" is present.
8. OPTIONAL: If no gap is present then Bracket(s) may have been slightly bent during handling or shipping, carefully bend it/them back using minimal force or minimal tools as possible so that all bend angles are 90 degrees to each other before installation.
9. Secure Brackets with the required hardware for the appropriate floor.
10. Tighten all bolts per manufacture's torque requirements.

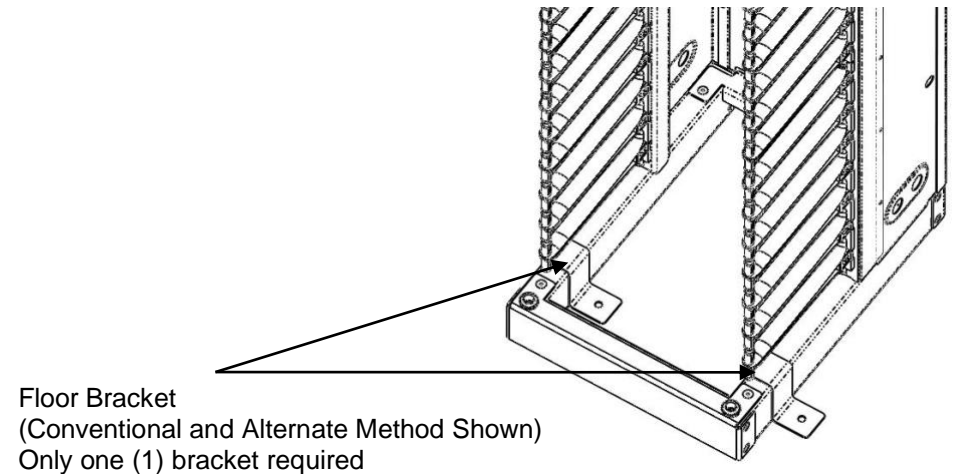


FIGURE 1

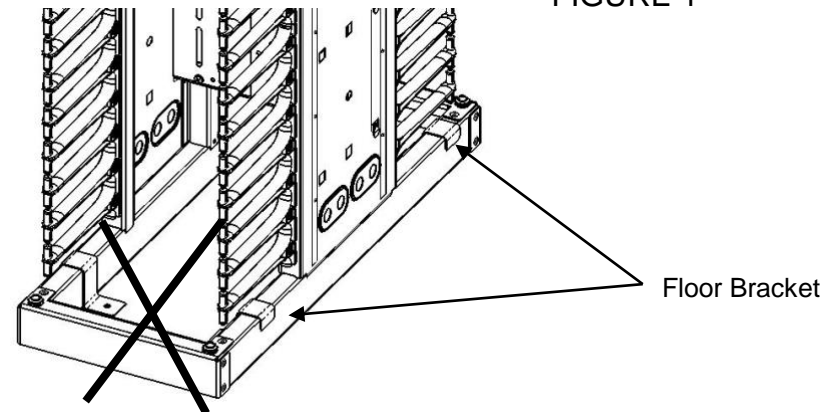


FIGURE 2