



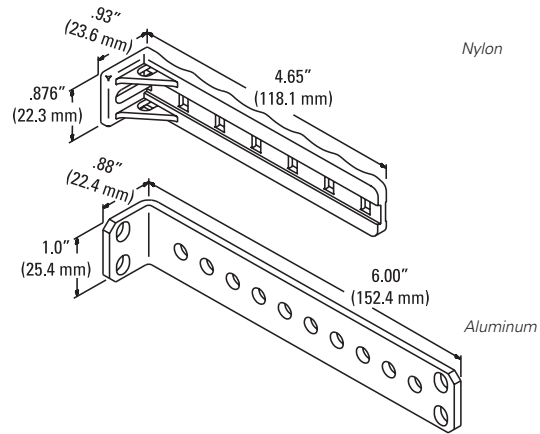
CHATSWORTH
PRODUCTS

Stand-Off Tie Bracket

Stand-Off Tie Bracket

These brackets mount to the back of the rack channel to provide a convenient point to tie-down cable runs.

- Choice of either non-conductive nylon or high-strength aluminum
- Either end of the aluminum bracket can be attached to rack, allowing cabling to run several different ways
- Mounting hardware not included



ORDERING INFORMATION

Part Number	Description in (mm)	Shipping Weight lb (kg)
10559-X00	1 x 6 (30 x 150), Aluminum, Each	3 (1.4)
10559-X50	1 x 6 (30 x 150), Aluminum, Pack of 50	7 (3.2)

X=color: 1=Gray, 5=Clear, 7=Black, E=Glacier White. Shipping Weights are for Box of 50.

United States & Canada
Simi Valley, CA
800-834-4969
Toronto, Ontario, Canada
+905-850-7770
chatsworth.com
techsupport@chatsworth.com

Latin America
Mexico City, Mexico
+52-55-5203-7525
Toll Free within Mexico
800-201-7592
chatsworth.com.co

Europe
Buckinghamshire
England, UK
+44-1628-524-834

Middle East & Africa
Dubai, UAE
+971-4-2602125
Doha, Qatar
+974-4-267422

Asia Pacific
Jing'an District,
Shanghai, China
+86 21 6880-0266
chatsworth.com.cn