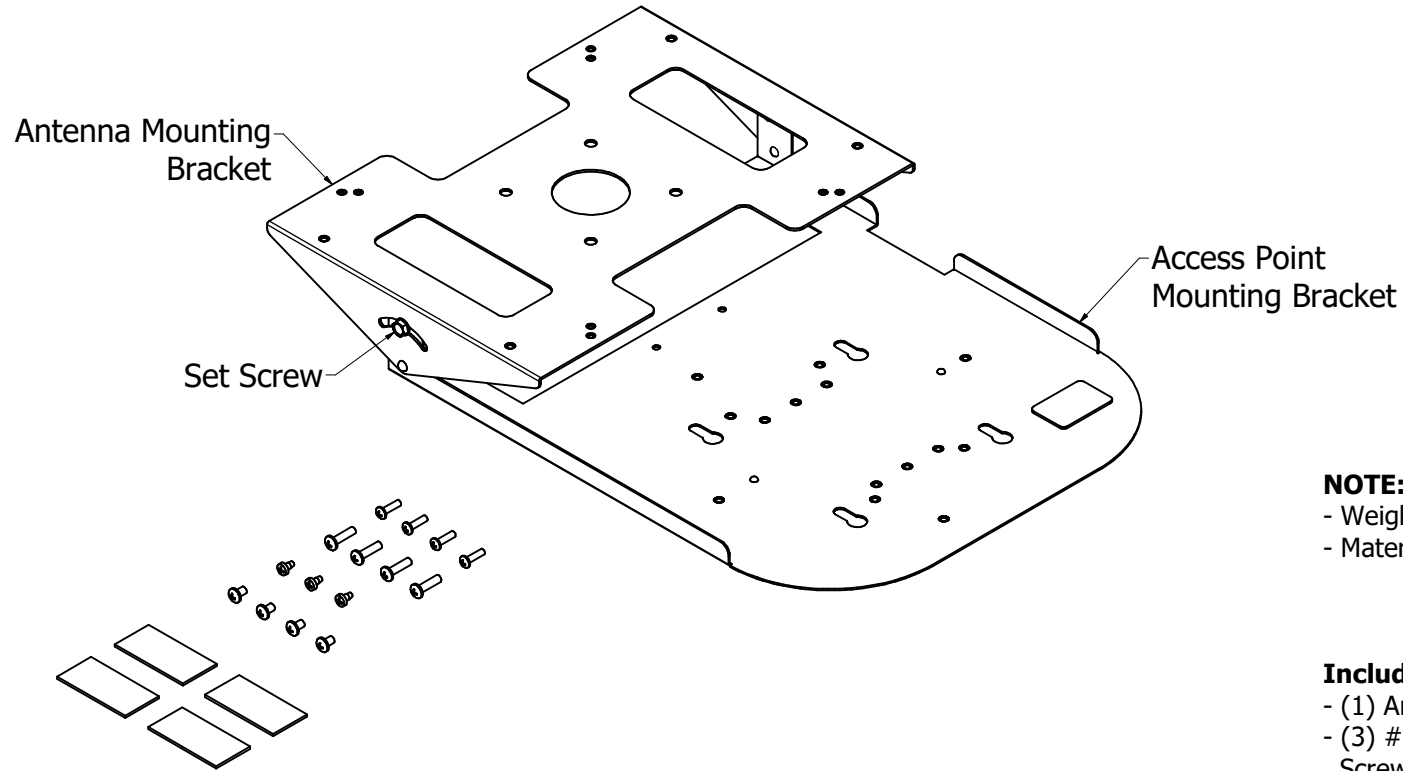


REVISION HISTORY				
ZONE	REV	DESCRIPTION	DATE	APPROVED
All	1	Released	10/11/2016	EAS
All	2	Updated Views, Notes, "Includes" List, Added Mounting Legend	6/5/2020	CAH
All	3	Updated "Includes" List	6/12/2020	CAH
All	4	Updated Views, Notes, "Includes" List	8/26/2021	CAH
All	5	Updated Views, Notes, "Includes" List, and Mounting Legend	5/5/2022	CAH



NOTE:

- Weight: 3 lbs.
- Material: 18 Ga. Galvanized Steel Antenna Mounting Bracket
20 Ga. Galvanized Steel Access Point Mounting Bracket

Includes:

- (1) Antenna and Access Point Mounting Bracket
- (3) #6 x 1/4 in. Pan Head Thread-Forming Screws for Plastic
- (4) #6 x 1/2 in. Pan Head Machine Screws
- (4) #8 x 1/4 in. Pan Head Machine Screws
- (4) #8 x 5/8 in. Pan Head Machine Screws
- (4) Adhesive Backed Mushroom-Head Fasteners

DRAWN	5/5/2022	Oberon, Inc. - 1315 S. Allen St. - State College, PA 16801		
CHECKED	5/5/2022	TITLE		
QA		Model 39-1016-ANTPLATE		
MFG	5/5/2022	SIZE	DWG NO	REV
APPROVED	5/5/2022	C	39-1016-ANTPLATE	5
TOLERANCE:	.0 = +/- .030 .00 = +/- .015 .000 = +/- .005	SCALE	SHEET 1 OF 3	

4

3

2

1

D

D

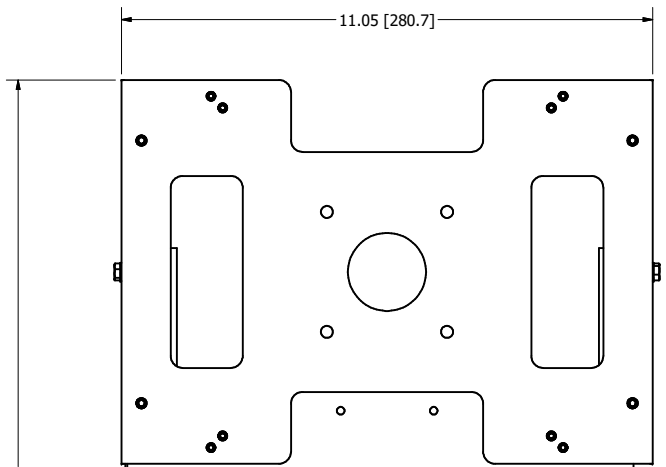
2.07 [52.6]



C

C

11.05 [280.7]

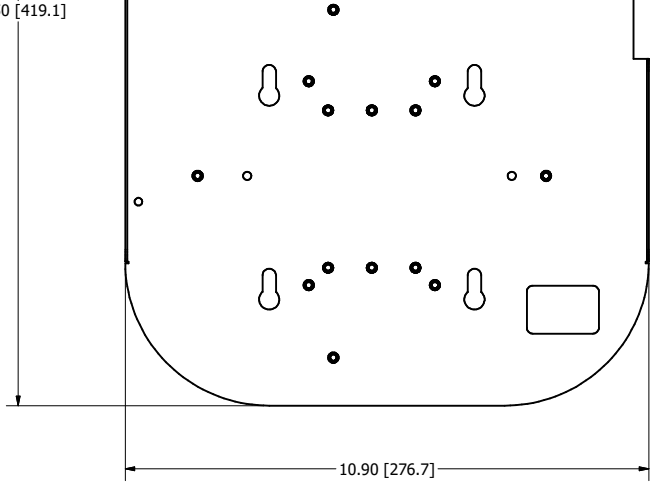


16.50 [419.1]

B

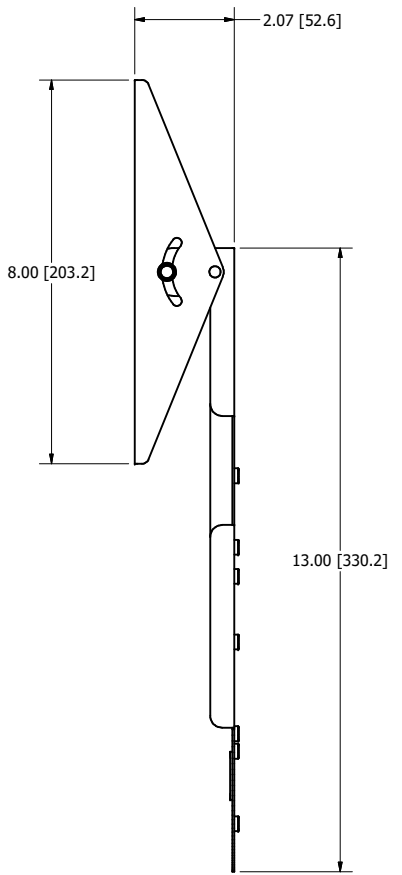
B

10.90 [276.7]



A

A



8.00 [203.2]

2.07 [52.6]

13.00 [330.2]

DRAWN	5/5/2022	Oberon, Inc. - 1315 S. Allen St. - State College, PA 16801		
CHECKED	5/5/2022	TITLE		
APPROVED	5/5/2022	Model 39-1016-ANTPLATE		
MFG	5/5/2022	SIZE	DWG NO	REV
CAH	5/5/2022	C	39-1016-ANTPLATE	5
TOLERANCE:	.0 = +/- .030	SCALE		SHEET 2 OF 3
	.00 = +/- .015			
	.000 = +/- .005			

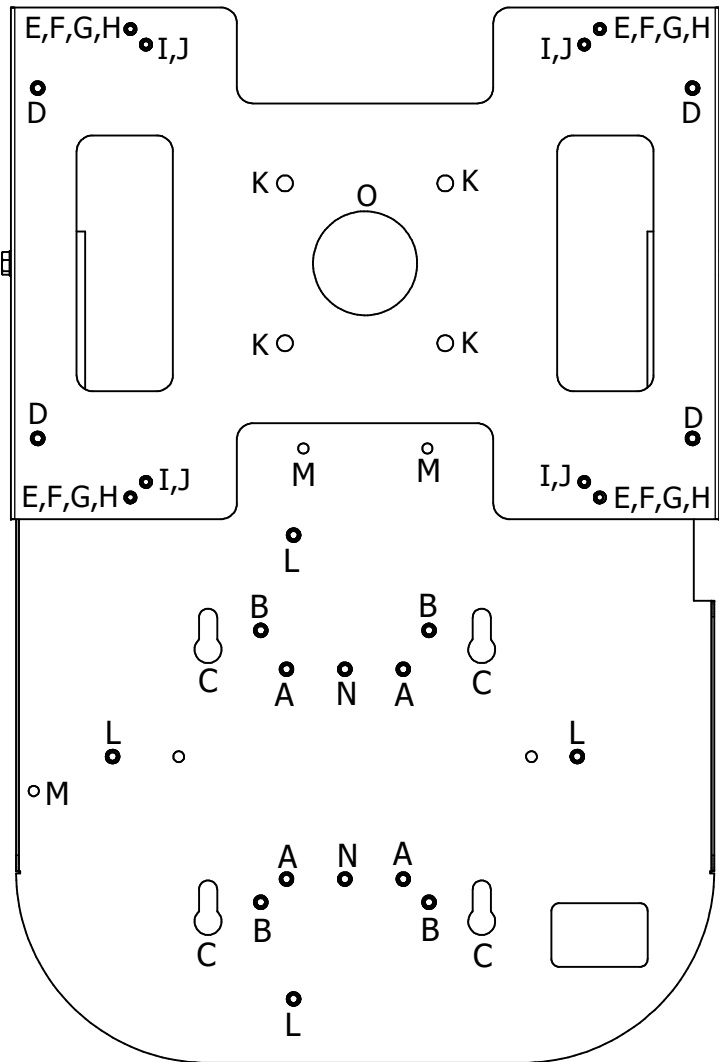
4

3

2

1

4



Mounting Legend

- A - Cisco AIR-AP-BRACKET-2
- B - Cisco AIR-AP-BRACKET-1
- C - Keyhole Slots for Mounting Cisco APs
- D - Cisco Antenna AIR-ANT2566P4W-R
- E - Aruba Networks Antenna AP-ANT-17
- F - Aruba Networks Antenna AP-ANT-18
- G - Aruba Networks Antenna AP-ANT-25
- H - Aruba Networks Antenna AP-ANT-35
- I - Aruba Networks Antenna AP-ANT-28
- J - Aruba Networks Antenna AP-ANT-38
- K - Meraki MA-ANT-3-E5/6
- L - T-Bar Mount
- M - Holes Used to Fasten Bracket to 1016 Enclosure Base
- N - Single Gang Hole Spacing
- O - 1" Center Post Antennas

DRAWN CAH	5/5/2022	Oberon, Inc. - 1315 S. Allen St. - State College, PA 16801		
CHECKED CAH	5/5/2022	TITLE		
QA		Model 39-1016-ANTPLATE		
MFG CAH	5/5/2022	SIZE C	DWG NO 39-1016-ANTPLATE	REV 5
APPROVED CAH	5/5/2022	SCALE	SHEET 3 OF 3	
TOLERANCE:				
.0 = +/- .030				
.00 = +/- .015				
.000 = +/- .005				