



G2 Sensor Flushometer

G2 8111-1.28-CP-CN

Product description

1.28 gpf, Polished Chrome Finish, Fixture Connection Top Spud, Single Flush, Battery, Carbon Neutral, G2 Exposed Sensor Water Closet Flushometer.

Compliances & Certifications



(ADA Compliant, BAA Compliant, BREEAM Water Credit, Carbon Neutral, Carbon Offset, cUPC Green Certified, EPD, Green Globes Water, HPD, IAPMO, LEED Water, Satisfies LEED Credits, EPA WaterSense Listed)

Code 3250289T

Finish

-  Polished Chrome (CP)

Downloads

- [G2 and ECOS Single Flush Optima Plus Valve Installation Instructions duplicate.pdf](#)
- [G2 Repair and Maintenance Guide.pdf](#)
- [Control Stop Repair and Maintenance Guide.pdf](#)
- [Additional Downloads](#)

Videos

- [PVD Special Finishes](#)

Details

- Flush Volume: 1.28 gpf (4.8 lpf)
- Finish: Polished Chrome (CP)
- Power Type: Battery
- Valve: Diaphragm
- Valve Body Material: Semi-red Brass
- Fixture Type: Water Closet
- Fixture Connection: Top Spud
- Rough-in Dimension: 11.5" (292mm)
- Spud Coupling: 1.5" (38mm)
- Supply Pipe: 1" (25mm)
- Special Features 1: Carbon Neutral (CN)

Features

- Automatically operates by means of an infrared sensor with multiple-focused, lobular sensing fields for high and low target detection
- User-friendly, three-second flush delay and Courtesy Flush® override button
- Adjustable tailpiece
- High copper, low zinc brass castings for dezincification resistance
- Available in low consumption (1.6 gpf/6.0 Lpf), water saver (3.5 gpf/13.2 Lpf), and high efficiency (1.28 gpf/4.8 Lpf) models
- Valve body, Cover, Tailpiece and Control Stop shall be in compliance with ASTM Alloy Classification for Semi-Red Brass
- Valve shall be in compliance to the applicable sections of ASSE 1037

Recommended specifications

Valve Body, Cover, Tailpiece and Control Stop shall be in conformance with ASTM Alloy Classification for Semi-Red Brass. Valve shall be in compliance with the applicable sections of ASSE 1037 and ANSI/ASME 112.19.2.

Electrical specifications

Valve Operating Pressure (Flowing)

15-80 psi (103 - 552 kPa). Specific fixtures may require greater minimum flowing pressure - consult manufacturer requirements.

Battery Specifications

Usage	4- AA Battery Service* Life			
	14.5 yrs	12 yrs	7.2 yrs	6 yrs
per month	500	1,000	3,000	4,000
per day	25	50	150	200

* Service life varies according to actual usage & restroom conditions
 Battery shelf life: Alkaline= ~10 years - Lithium= ~25 years

Warranty

[View Warranty Information](#)

Notes

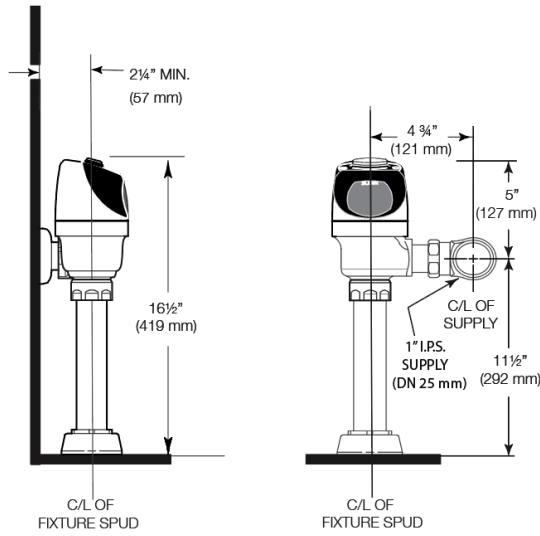
All information contained within this document subject to change without notice.

Looking for other variations of the G2 8111 product? [View the general spec sheet with all options.](#)

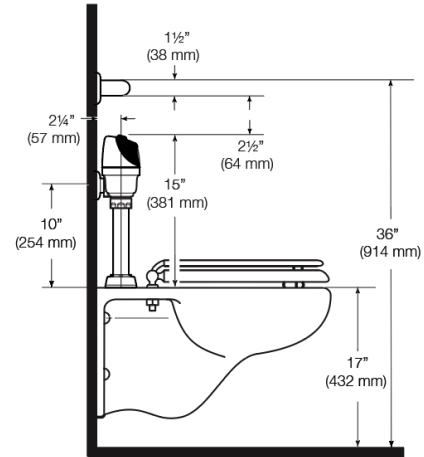
[Find a compatible urinal](#) for this flushometer.

[Find a compatible water closet](#) for this flushometer.

WaterSense compliant when used with a 1.28 gpf (4.8 lpf) WaterSense fixture.



ALTERNATE ADA INSTALLATION
 Lower water supply rough-in to 10" (254 mm)
 and mount grab bar at the 36" (914 mm) maximum
 allowed height (top of grab bar at 36").



WHEN INSTALLING IN A HANDICAP STALL:
 Per the ADA Guidelines (section 604.9.4)
 it is recommended that the grab bars be
 split or shifted to the wide side of the stall.
 If grab bars must be present over the valve,
 use the alternate ADA installation as shown
 to the right.