

SLOAN®

Performance Series Sinks

Innovation takes form.



Thoughtfully designed sinks that exceed all demands

Performance Series Sinks offer the ultimate solution for any high-traffic commercial restroom.

Fourteen models in a range of design and color options fit the needs and aesthetics for schools, healthcare facilities, office buildings, airports, and stadiums. These sinks have non-porous pre-formed basins with no seams, making the surfaces more hygienic and easier to clean. The Performance Series line was designed for all commercial environments.

ADVANTAGES OF PRE-FORMED SINKS

- **Enhance aesthetics** 2 materials, 14 styles, 25 colors, and variable mounting options
- **Reduce repairs** no seams to damage and resists scratches, stains, and impact
- **Combat vandalism** integrated and serviceable components in the head (select models)
- **Lessen germ transmission** sensor-activated components
- **Support accessibility** dual-height, extended reach, and rounded front sink options
- **Elevate usability** integrated faucet, soap dispenser, and hand dryer (select models)
- **Lower cost** affordable material options and less maintenance required

Meet the AER-DEC® in SloanStone®

The world's first pre-formed sink with a deck-mounted hand dryer and integrated air dam.

Explore the sink on page 4-5.



Performance Series Round Front Sink ELRF-81000 in SloanStone® Solid Surface White with angled enclosure in stainless steel with Optima® ETF-410 Faucet and Sloan® ESD-410 Soap Dispenser in Brushed Stainless. Royal® 111 ESS Flushometer in Brushed Stainless on ST-2459 Wall-mounted Water Closet.

AER-DEC® in SloanStone® ELAD Series

The AER-DEC in SloanStone delivers all-in-one functionality (faucet, soap, hand dryer) with pre-formed precision and enhanced cleanability.

Product Options

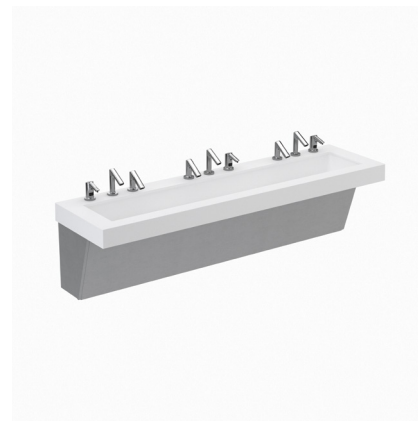
- Available in SloanStone Solid Surface with 25 color options (see page 23)
- Component options include faucet, soap dispenser, and hand dryer in BASYS®, Clark Street®, or Rush Street® styles available in 5 finishes: Polished Chrome, Graphite, Brushed Stainless, Brushed Nickel, and Polished Brass
- Mounting includes angled stainless steel enclosure



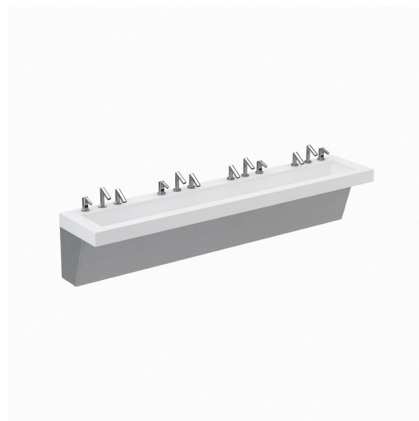
ELAD-84000 Rush Street 1-Station (30")



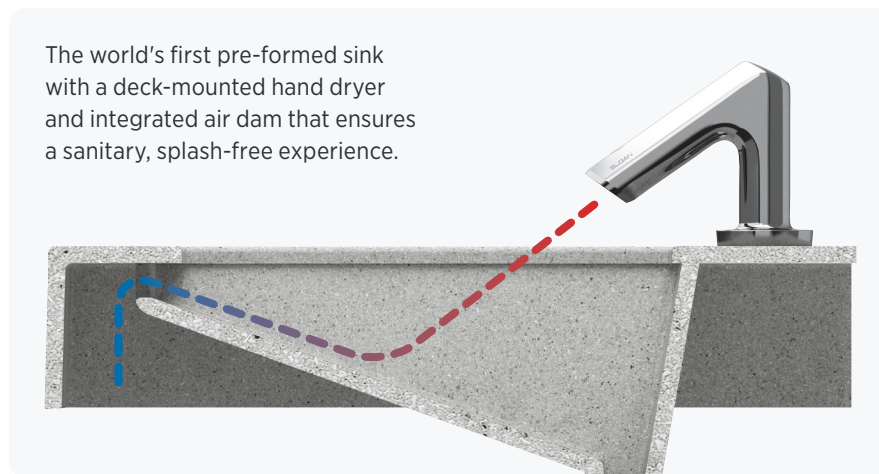
ELAD-82000 Rush Street 2-Station (60")



ELAD-83000 Rush Street 3-Station (90")



ELAD-84000 Rush Street 4-Station (120")



The world's first pre-formed sink with a deck-mounted hand dryer and integrated air dam that ensures a sanitary, splash-free experience.

Performance Series AER-DEC® in SloanStone® Integrated Sink System ELAD-81000 Clark Street® in SloanStone Solid Surface Matrix White with Clark Street style fixtures in Polished Brass and Sloan® ML 4 Edge LED Mirror. SOLIS® 8111 Sensor Flushometer in Polished Brass with Sloan ST-2459 Wall-mounted Water Closet.



Gradient QSGR and ELGR Series

A contemporary design brings a strong visual presence with a clean form and dramatically angled basin.

Product Options

- Available in SloanStone® Quartz with 3 color options (see page 23)
- Available in SloanStone Solid Surface with 25 color options (see page 23)
- Component options include faucet and soap dispenser
- Mounting options include angle brackets or enclosure

Select models available for Sloan Quick Ship Program

See page 23 for more details.



QSGR-81000 SloanStone Quartz or ELGR-81000 SloanStone Solid Surface 1-Station (30")



QSGR-82000 SloanStone Quartz or ELGR-82000 SloanStone Solid Surface 2-Station (60")



QSGR-83000 SloanStone Quartz or ELGR-83000 SloanStone Solid Surface 3-Station (90")



QSGR-84000 SloanStone Quartz or ELGR-84000 SloanStone Solid Surface 4-Station (120")



Performance Series Gradient Sink QSGR-82000 in SloanStone® Quartz Arctic Frost with angled stainless steel enclosure with Combination ESD-701 (Optima® EAF-750-ISM Faucet and Sloan® ESD-700 Soap Dispenser) in Polished Chrome.



Arrowhead QSA and ELA Series

A unique and modern design that comes to a slight point with an open front edge.

Product Options

- Available in SloanStone® Quartz with 3 color options (see page 23)
- Available in SloanStone Solid Surface with 25 color options (see page 23)
- Component options include faucet and soap dispenser
- Mounted with angle brackets



QSA-81000 SloanStone Quartz or ELA-81000 SloanStone Solid Surface 1-Station (30")



QSA-82000 SloanStone Quartz or ELA-82000 SloanStone Solid Surface 2-Station (60")



QSA-831000 SloanStone Quartz or ELA-83000 SloanStone Solid Surface 3-Station (90")



QSA-84000 SloanStone Quartz or ELA-84000 SloanStone Solid Surface 4-Station (120")

Performance Series Arrowhead Sink QSA-82000 in SloanStone® Quartz Arctic Frost with Combination ESD-501 (BASYS® EFX-250 Faucet and Sloan® ESD-500 Soap Dispenser) in Polished Chrome.

Round Front ELRF Series

Rounded Front design with limited corners is the perfect choice for restrooms most used by children.

Product Options

- Available in SloanStone® Solid Surface with 25 color options (see page 23)
- Component options include faucet and soap dispenser
- Mounting options include angle brackets or enclosure



ELRF-81000 1-Station (30")



ELRF-82000 2-Station (60")



ELRF-83000 3-Station (90")



ELRF-84000 4-Station (120")



Performance Series Round Front Sink ELRF-84000 in SloanStone® Solid Surface Matrix White with angled enclosure in stainless steel with Combination ESD-1501 (Optima® EAF-150-ISM Faucet and Sloan® ESD-1500 Soap Dispenser) in Polished Chrome, Sloan® XLERATOR® EHD-501-ECO Hand Dryer in Polished White.



Performance Series Sinks

Waterfall ELWF Series

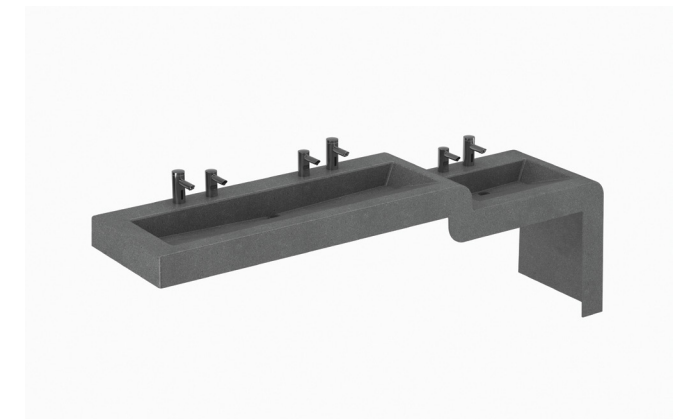
Great for locations with mixed use by both children and adults, this ADA and TAS friendly design provides one or more adult height stations paired with one child height station.

Product Options

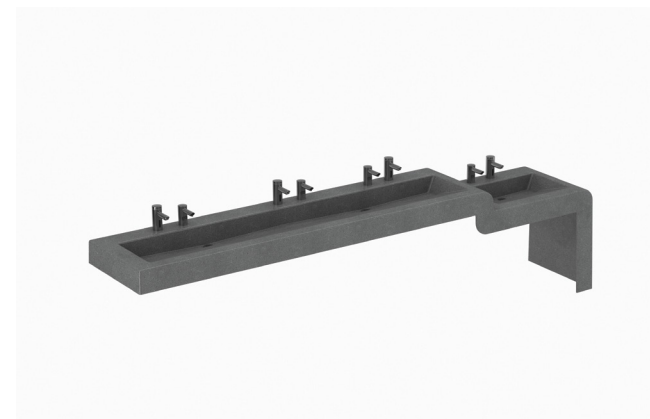
- Available in SloanStone® Solid Surface with 25 color options (see page 23)
- Component options include faucet and soap dispenser
- Mounted with angle brackets



ELWF-82000 2-Station (60")



ELWF-83000 3-Station (90")



ELWF-84000 4-Station (120")

Performance Series Waterfall Sink ELWF-83000 in SloanStone® Solid Surface Matrix Light Gray with Optima® EAF-250 Faucet and Sloan® ESD-2000 Dispenser in Polished Chrome. Sloan® XLERATOR® EHD-501 Hand Dryer in Polished White.

Deluxe Lavatory Countertop

ELC-80000 Series

A slightly pitched counter reduces standing water while the squared bowls create a geometric look.

Product Options

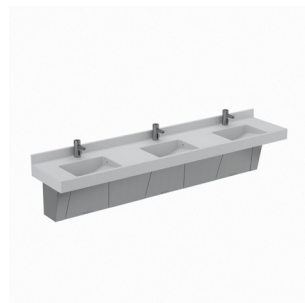
- Available in SloanStone Solid Surface with 25 color options (see page 23)
- Component options include faucet
- Mounted with integrated stainless steel enclosure



ELC-81000 1-Station (30")



ELC-82000 2-Station (60")



ELC-83000 3-Station (90")



Performance Series Lavatory Countertop Sink ELC-72000 in SloanStone® Solid Surface Cement with Combination ESD-701 (Optima® EAF-750-ISM Faucet and Sloan® ESD-700 Soap Dispenser) in Polished Chrome. Sloan® XLERATOR® EHD-501 Hand Dryer in Polished Chrome.



Performance Series Deluxe Lavatory Countertop Sink ELC-82000 in SloanStone® Solid Surface Fog with integrated stainless steel enclosure with Optima® EAF-275-ISM Faucet in Brushed Nickel. ECOS® 8186 Flushometer in Brushed Nickel on SU-1009 Urinal.

Lavatory Countertop

ELC-40000/70000 SERIES

A simple countertop with straight deck and rounded bowls brings a timeless look to any design.

Product Options

- ELC-40000 available in SloanStone Solid Surface with 9 color options (see page 23)
- ELC-40000 is 1 ½" deck thickness
- ELC-70000 available in SloanStone Solid Surface with 25 color options (see page 23)
- ELC-70000 is ½" deck thickness
- Component options include faucet and soap dispenser
- Mounted with angle brackets



ELC-41000/ELC-71000
1-Station (30")



ELC-42000/ELC-72000
2-Station (60")



ELC-43000/ELC-73000
3-Station (90")



ELC-44000/ELC-74000
4-Station (120")

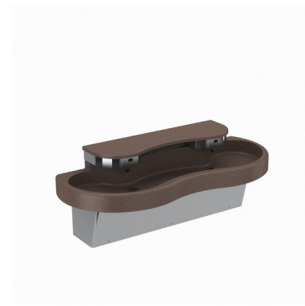
Electronic Washstation

EW-40000 Series

This vandal-resistant solid surface system is equipped with integrated electronic sensor technology.

Product Options

- Available in SloanStone Solid Surface with 9 color options (see page 23)
- Components include integrated faucet and optional soap dispenser (not shown)
- Mounting options include integrated stainless steel wall-mount or optional floor-mount enclosure



EW-42000 2-Station (51 3/4")



EW-43000 3-Station (86 5/8")



Performance Series Electronic Washstation Fountain EWF-43000 in SloanStone® Solid Surface Pearl with integrated faucet and integrated wall-mounted enclosure. ECOS® 8186 Flushometer in Brushed Stainless on SU-1009 Urinal. Sloan® XLERATOR® EHD-501 Hand Dryer in Polished White.



Performance Series Electronic Washstation EW-42000 in SloanStone® Solid Surface Amber with integrated faucet and integrated stainless steel wall-mounted enclosure. Sloan® XLERATOR® EHD-501 Hand Dryer in Polished Chrome.

Electronic Washstation Fountain

EW-40000 Series

This flexible sink system can fit into corners or against walls to provide access in a small space.

Product Options

- Available in SloanStone Solid Surface with 9 color options (see page 23)
- Components include integrated faucet and optional soap dispenser (not shown)
- Mounting options include integrated wall-mount or optional floor-mount wall-mounted enclosure



EW-42000 2-Station (38 1/8")



EW-43000 3-Station (36")



EW-44000 4-Station (46")

Electronic Washstation

EW-70000 Series

Soft contoured continuous basin with matching enclosure for a clean look. The serviceable components in the head make maintenance a breeze.

Product Options

- Available in SloanStone Solid Surface with 25 color options (see page 23)
- Components include integrated faucet and optional soap dispenser (not shown)
- Mounted with integrated enclosure

See page 23 for more details.



EW-72000 2-Station (50")



EW-73000 3-Station (76")



Performance Series Electronic Washstation EW-62000 in SloanStone® Solid Surface Matrix White with integrated faucet and integrated plastic enclosure. SOLIS® 8186 Flushometer in Polished Chrome on SU-1009 Urinal. Sloan® XLERATOR® EHD-501 Hand Dryer in Polished White.



Performance Series Electronic Washstation EW-72000 in SloanStone® Solid Surface White with integrated faucet and integrated enclosure. Sloan® XLERATOR® EHD-501 Hand Dryer in Matte White.

Electronic Washstation

EW-60000 Series

Aesthetically-pleasing contoured continuous basin with a dark gray plastic enclosure. The serviceable components in the sink head make maintenance trouble-free.

Product Options

- Available in SloanStone Solid Surface with 25 color options (see page 23)
- Components include integrated faucet and optional soap dispenser (shown above)
- Mounted with integrated plastic enclosure



EW-62000 2-Station (50")



EW-63000 3-Station (76")



Accessible for easy maintenance

EW-60000/70000 Series Sinks feature integrated components in the head of the sink for easy maintenance.

Electronic Lavatory System

ELS-70000 Series

A curved design with matching enclosure provides a cohesive look while shared soap dispensers save cost.

Product Options

- Available in SloanStone Solid Surface with 25 color options (see page 23)
- Component options include individual faucet and optional shared soap dispenser
- Mounted with integrated enclosure



ELS-72000 2-Station (50")



ELS-73000 3-Station (76")



Performance Series Electronic Lavatory System ELS-62000 in SloanStone® Solid Surface Matrix Dusk with Combination ESD-801 (Optima® EBF-85 Faucet and Sloan® ESD-800 Soap Dispenser) in Polished Chrome and integrated plastic enclosure.



Performance Series Electronic Lavatory System ELS-72000 in SloanStone® Solid Surface Matrix Khaki with Optima® EAF-350 Faucet and Sloan® ESD-600 Soap Dispenser in Polished Chrome and integrated enclosure. Sloan® XLERATOR® EHD-501 Hand Dryer in Polished Chrome.

Electronic Lavatory System

ELS-60000 Series

Soft curves provide a friendly aesthetic paired with a durable dark gray plastic enclosure.

Product Options

- Available in SloanStone Solid Surface with 25 color options (see page 23)
- Component options include individual faucet and optional shared soap dispenser
- Mounted with integrated plastic enclosure



ELS-62000 2-Station (50")



ELS-63000 3-Station (76")

Electronic Lavatory System

ELS-40000 Series

An edgeless deck paired with an integrated stainless steel enclosure provides a pleasant look.

Product Options

- Available in SloanStone Solid Surface with 9 color options (see page 23)
- Component options include individual faucet and shared soap dispenser
- Mounting options include integrated stainless steel wall-mount or optional floor-mount enclosure. The single station (ELS-41000) comes with angle brackets only, no integrated enclosure.



ELS-41000 1-Station (17 ¾")



ELS-42000 2-Station (54 ¾")



ELS-43000 3-Station (86 ¾")

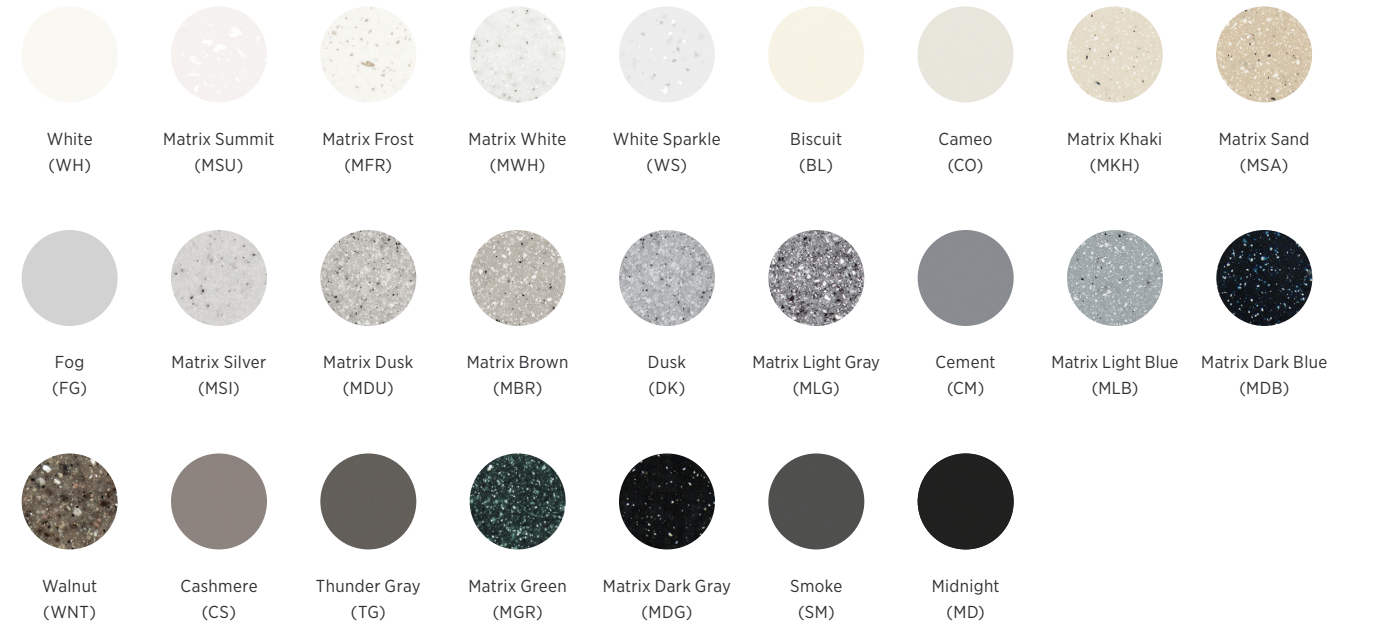


Performance Series Electronic Lavatory System ELS-42000 in SloanStone® Solid Surface Slate with Combination ESD-2101 (Standard SF-2100 Faucet and Sloan® ESD-2100 Soap Dispenser) in Polished Chrome and with integrated stainless steel enclosure.

Colors and Quick Ship Program

Choose from a selection of solid and speckled colors for your Performance Series Sink.

Color list for SloanStone® Solid Surface 60000, 70000, 80000 Series Sinks



Color list for SloanStone Solid Surface 40000 Series Sinks



Color list for SloanStone Quartz QSGR and QSA Series Sinks



Quick Ship Options

We offer a variety of sink styles with preset color options ready for your next project. Contact Sloan at **800.982.5839** to get details on which models are currently part of the Quick Ship Program.

- Select models and colors are available as part of Sloan's Quick Ship Program with 4-week lead times.

For more information about Performance Series Sinks visit sloan.com/performance-series-sinks or call 800.982.5839



Front cover: Performance Series AER-DEC® in SloanStone® Integrated Sink System
ELAD-82000 BASYS® in SloanStone Solid Surface Matrix Dusk with BASYS style fixtures
in Polished Chrome and Sloan® ML 2 Inset LED Mirror. SOLIS® 8111 Sensor Flushometer in
Polished Chrome with ST-2459 Wall-mounted Water Closet.

Back cover: Performance Series Gradient Sink ELGR-82000 in SloanStone Matrix Silver with
Optima® EAF-200 Faucet and Sloan ESD-2000 Soap Dispenser in Graphite.



World Headquarters

10500 Seymour Avenue
Franklin Park, IL 60131
U.S.A.

800.982.5839
sloan.com

©2025 Sloan Valve Company.
All Rights Reserved.

Follow Sloan

- in** @sloan
- f** /sloanvalvecompany
- @** @sloan_valve
- X** @sloan_valve
- ▶** @sloan
- 📌** @sloanvalve