

## Suction cup U8 Silicone

Article number: 3150116S

- Suitable for objects with flat or slightly curved surfaces.
- Also used for concave objects.



### Technical data

| Description             | Unit            | Value                          |
|-------------------------|-----------------|--------------------------------|
| Suction cup shape       | -               | Universal                      |
| Application             | -               | Plastic injection molded parts |
| Suction cup design      | -               | Round                          |
| Characteristics         | -               | Plastic injection molded parts |
| Material                | -               | Silicone (SIL)                 |
| Weight, min.            | g               | 0.16                           |
| Suction cup model       | -               | U                              |
| Volume                  | cm <sup>3</sup> | 0.1                            |
| Height                  | mm              | 7                              |
| Outer diameter, min.    | mm              | 9                              |
| Fitting size            | -               | None                           |
| Fitting option          | -               | None                           |
| Fitting style           | -               | None                           |
| Fitting type            | -               | None                           |
| Suction cup model       | -               | U8                             |
| Movement, vertical max. | mm              | 0.5                            |
| Curve radius, min.      | mm              | 6                              |

### Performance - Lifting forces

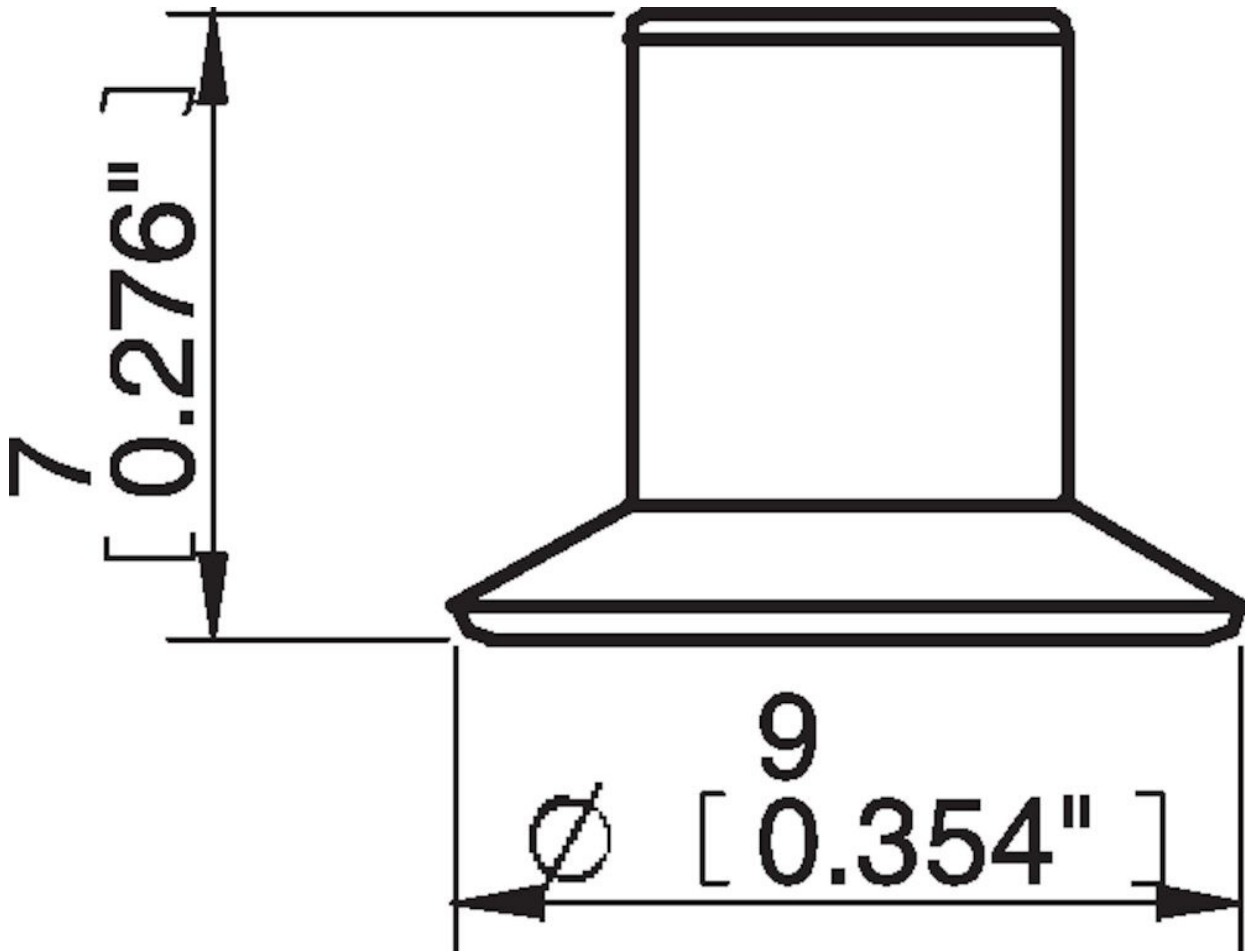
| U8      | Vertical (N) | Parallel (N) |
|---------|--------------|--------------|
| 20 -kPa | 1            | 1            |
| 60 -kPa | 2.9          | 2.9          |
| 90 -kPa | 3.9          | 3.4          |

| Material               |                           |
|------------------------|---------------------------|
| Name                   | Silicone, SIL 50° Shore A |
| Colour                 | Red                       |
| Temperature, min.   °C | -40                       |
| Temperature max.   °C  | 200                       |
| Hardness   °Shore A    | 50                        |

#### Material resistance

|                    |           |
|--------------------|-----------|
| Alcohol            | Good      |
| Concentrated acids | Poor      |
| Ethanol            | n/a       |
| Hydrolysis         | Fair      |
| Methanol           | n/a       |
| Oil                | Poor      |
| Oxidation          | Excellent |
| Petrol             | Poor      |
| Wear resistance    | Good      |
| Weather and ozone  | Excellent |

#### Dimensional drawings



#### Values specified in this data sheet are tested at (unless otherwise stated):

- Room temperature (20°C [68°F] ± 3°C [5.5°F]).
- Standard atmosphere (101.3 [29.9 inHg] ± 1.0 kPa [0.3 inHg]).
- Relative humidity 20-70%.
- Compressed air quality, DIN ISO 8573-1 class 4.

#### Accessories

3107031 | Fitting M5 male, 5–8