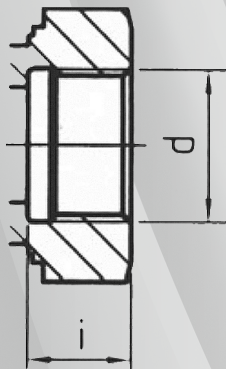
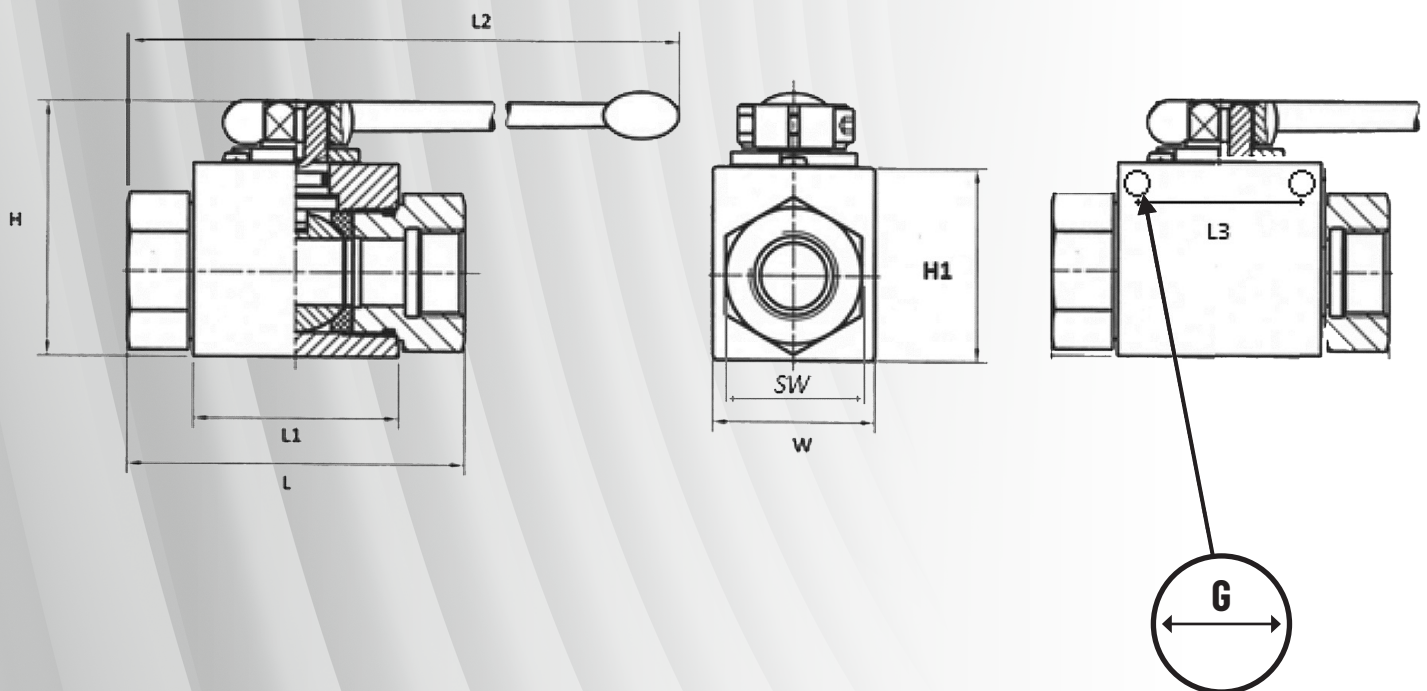
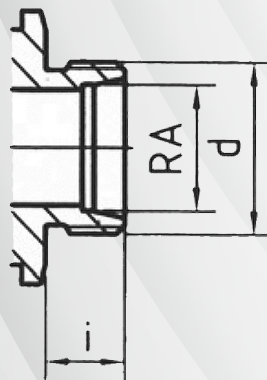
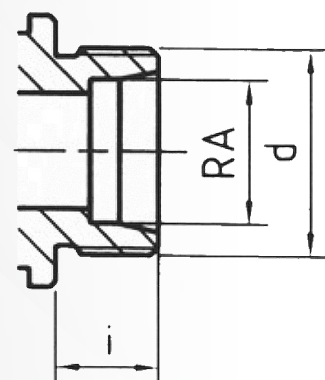


# High Pressure Ball Valves

## KHB-Series Steel Ball Valves (PN 500 bar)

**Specification:**

<b>Body:</b>	Carbon Steel
<b>Ball:</b>	Steel
<b>Handle:</b>	Forged Steel
<b>O-rings:</b>	NBR
<b>Ball Seal:</b>	Delrin (POM)
<b>Surface Treatment:</b>	Cr3
<b>Temperature Range:</b>	Body -20°C to +100°C
	NBR Seal -20°C to +100°C


**G"**

**Light Series**

**Heavy Series**

# High Pressure Ball Valves

## KHB-Series Steel Ball Valves (PN 500 bar)

Part Code	DN (mm)	PN	L (mm)	L1 (mm)	L2 (mm)	L3 (mm)	W (mm)	H (mm)	H1(mm)	I (mm)	d	RA (mm)	SW (mm)
KHB-G1/4	6	500 bar	69	40	152		26	78	33	13.5	G1/4"		22
KHB-G3/8	10	500 bar	71	42	154		33	84	38	14	G3/8"		27
KHB-G1/2	13	500 bar	82	48	159		36	86	40	16.5	G1/2"		30
KHB-G3/4	20	315 bar	95	62	219		49	119	57	18	G3/4"		41
KHB-G1	25	315 bar	113	66	228		58	128	65	20	G1"		50
KHB-G11/4	25	315 bar	120	66	231		58	128	65	22	G1.1/4"		50
KHB-G11/2	25	315 bar	129	66	236		58	128	65	25	G1.1/2"		60

Part Code	DN (mm)	PN	L (mm)	L1 (mm)	L2 (mm)	L3 (mm)	G	W (mm)	H (mm)	H1(mm)	I (mm)	d	RA (mm)	SW (mm)
KHBSM-G1/4	6	500 bar	69	40	152	26	4.5	26	78	33	13.5	G1/4"		22
KHBSM-G3/8	10	500 bar	71	42	154	32	6.2	33	84	38	14	G3/8"		27
KHBSM-G1/2	13	500 bar	82	48	159	37.5	6.5	36	86	40	16.5	G1/2"		30
KHBSM-G3/4	20	315 bar	95	62	219	45	6.5	49	119	57	18	G3/4"		41
KHBSM-G1	25	315 bar	113	66	228	55	6.5	58	128	65	20	G1"		50
KHBSM-G11/4	25	315 bar	120	66	231	55	6.5	58	128	65	22	G1.1/4"		50
KHBSM-G11/2	25	315 bar	129	66	236	55	6.5	58	128	65	22	G1.1/2"		60

Part Code	DN (mm)	PN	L (mm)	L1 (mm)	L2 (mm)	L3 (mm)	W (mm)	H (mm)	H1(mm)	I (mm)	d	RA (mm)	SW (mm)
KHBTM-G1/4	6	500 bar	69	40	152		26	78	33	13.5	G1/4"		22
KHBTM-G3/8	10	500 bar	71	42	154		33	84	38	14	G3/8"		27
KHBTM-G1/2	13	500 bar	82	48	159		36	86	40	16.5	G1/2"		30
KHBTM-G3/4	20	315 bar	95	62	219		49	119	57	18	G3/4"		41
KHBTM-G1	25	315 bar	113	66	228		58	128	65	20	G1"		50
KHBTM-G11/4	25	315 bar	120	66	231		58	128	65	22	G1.1/4"		50
KHBTM-G11/4	25	315 bar	129	66	236		58	128	65	25	G1.1/2"		60

Part Code	DN (mm)	PN	L (mm)	L1 (mm)	L2 (mm)	L3 (mm)	W (mm)	H (mm)	H1(mm)	I (mm)	d	RA (mm)	SW (mm)
KHB-8L	6	500 bar	69	40	152		26	78	33	10	M14X1.5	8	22
KHB-10L	6	500 bar	71	42	154		33	84	38	11	M16X1.5	10	27
KHB-12L	10	500 bar	82	48	159		36	86	40	11	M18X1.5	12	27
KHB-15L	13	500 bar	96	62	219		49	119	57	12	M22X1.5	15	30
KHB-22L	20	315 bar	113	66	228		58	128	65	14	M30X2	22	38
KHB-28L	25	315 bar	120	66	231		58	128	65	14	M36X2	28	44

Part Code	DN (mm)	PN	L (mm)	L1 (mm)	L2 (mm)	L3 (mm)	W (mm)	H (mm)	H1(mm)	I (mm)	d	RA (mm)	SW (mm)
KHB-10S	6	500 bar	69	40	152		26	78	33	9.5	M18X1.5	10	22
KHB-12S	10	500 bar	71	42	154		33	84	38	9.5	M20X1.5	12	27
KHB-16S	13	500 bar	82	48	159		36	86	40	11.5	M24X1.5	16	30
KHB-20S	13	500 bar	91	48	159		36	86	40	13.5	M30X2	20	32
KHB-25S	20	315 bar	96	62	219		49	119	57	15	M36X2	25	41
KHB-30S	25	315 bar	120	66	231		58	128	65	17	M42X2	30	50