

Suction cup BXF60P Polyurethane 60, M10×1,5 male with mesh filter

Article number: 0207753



- Special designed friction cup with multi bellows for oily metal sheets. Suitable for application where great level compensation is needed such as de-stacking sheets from magazines (press-line) and picking car body parts from racks.
- Very low vacuum level needed to fully compress the extra-long bellows causes the cup not to push away parts from position.
- The "BXF" design is suitable for flat as well as uneven/curved surfaces.
- Internal friction pattern on the lip can withstand high shear forces, typically 3–5 times more than corresponding conventional suction cups.
- Best choice if > 0.1g/m² press oil is used on the sheet but also a great choice for dry metal sheets.
- DURAFLEX® is a material that features the elasticity of rubber and wear resistance of polyurethane. The material has a fantastic elastic memory, even after hundreds of thousand cycles.

Technical data

| Description | Unit | Value |
|--------------------------|-----------------|-------------------------|
| Suction cup shape | - | Bellows |
| Application | - | Oily sheet metal |
| Suction cup design | - | Round |
| Characteristics | - | Oily sheet metal |
| Material | - | Polyurethane (PU) |
| Weight, min. | g | 69.5 |
| Suction cup model | - | BXF |
| Volume | cm ³ | 80 |
| Height | mm | 56.6 |
| Outer diameter, min. | mm | 60 |
| Outer diameter, actuated | mm | 61.7 |
| Fitting size | - | M10×1.5 |
| Fitting option | - | Filter mesh |
| Fitting style | - | Male |
| Fitting type | - | M-thread |
| Fitting material | - | SS |
| Suction cup model | - | BXF60P Dry metal sheet |
| Movement, vertical max. | mm | 31.8 |
| Curve radius, min. | mm | 70 |
| Suction cup model | - | BXF60P Oily metal sheet |
| Movement, vertical max. | mm | 31.8 |
| Curve radius, min. | mm | 70 |

Performance - Lifting forces

| | Vertical (N) | Parallel (N) |
|-------------------------|--------------|--------------|
| BXF60P Dry metal sheet | 88 | 47 |
| 60 -kPa | 88 | 47 |
| 90 -kPa | 122 | 50 |
| BXF60P Oily metal sheet | | |
| 60 -kPa | 82 | 43 |
| 90 -kPa | 115 | 46 |

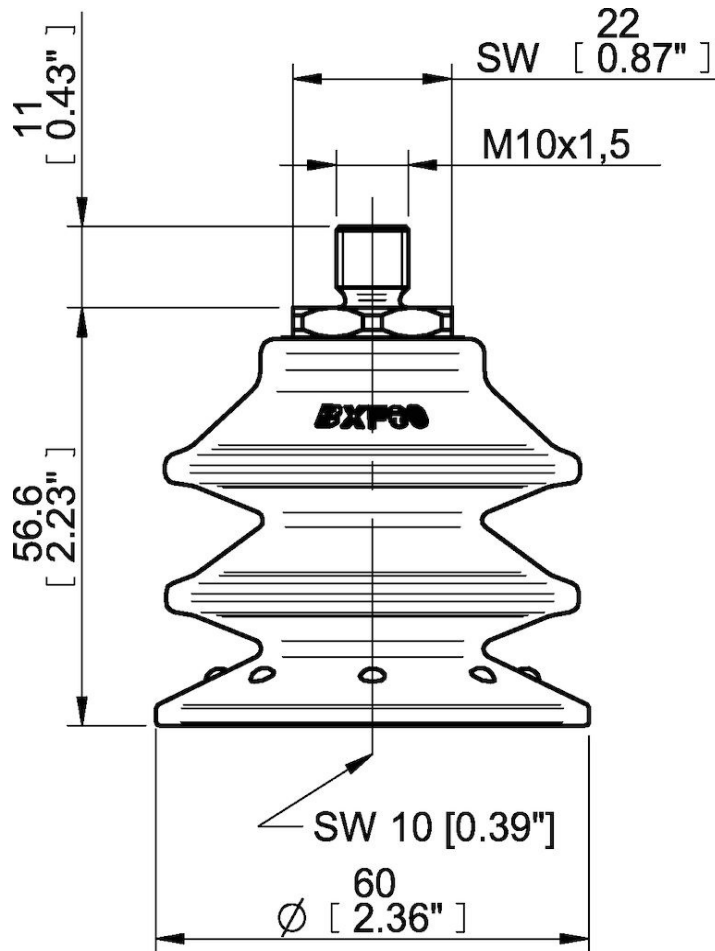
Material

| | |
|------------------------|---------------------|
| Name | Polyurethane (PU60) |
| Colour | Orange |
| Temperature, min. °C | 10 |
| Temperature max. °C | 50 |
| Hardness °Shore A | 60 |

Material resistance

| | |
|--------------------|-----------|
| Alcohol | n/a |
| Concentrated acids | Fair |
| Ethanol | Fair |
| Hydrolysis | Fair |
| Methanol | Poor |
| Oil | Excellent |
| Oxidation | Poor |
| Petrol | Fair |
| Wear resistance | Excellent |
| Weather and ozone | Excellent |

Dimensional drawings



Values specified in this data sheet are tested at (unless otherwise stated):

- Room temperature (20°C [68°F] ± 3°C [5.5°F]).
- Standard atmosphere (101.3 [29.9 inHg] ± 1.0 kPa [0.3 inHg]).
- Relative humidity 20-70%.
- Compressed air quality, DIN ISO 8573-1 class 4.