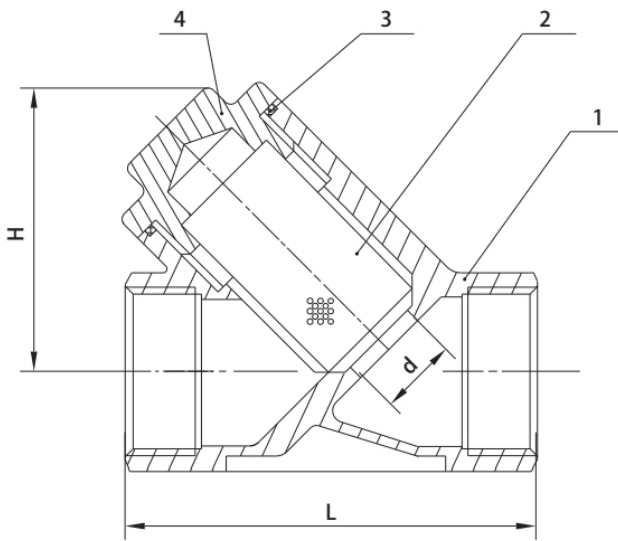


Stainless Steel Y Strainer

- BSP or NPT female threads
- 0.4mm perforations
- Suitable for saturated steam up to 10 bar



Working Temperature:
+10°C to +90°C



Maximum Working Pressure:
6 bar

	Part Description	Material
1	Body	CF8M
2	Screen	SS 316
3	Joint Gasket	PTFE
4	Basket	CF8M

Dimensions

Size	DN	d	L	H	Kg
3/8"	10	12	64	43	0.14
1/2"	15	15	64	45	0.21
3/4"	20	20	80	52	0.35
1"	25	25	90	68	0.51
1.1/4"	32	32	106	70	0.82
1.1/2"	40	40	119	80	1.15
2"	50	50	140	98	1.95
2.1/2"	65	61	167	117	4.73
3"	80	75	198	137	7.26

