

COAX® cartridge MICRO Ti05-2

Article number: 0123098



- Two-stage COAX® cartridge - MICRO - probably the world's smallest multistage vacuum ejector.
- Larger flow and evacuation capacity vs. the other MICRO cartridges.
- The low weight makes it suitable to integrate close to the suction point in high speed pick-and-place applications of small objects.
- Dirt tolerant cartridge design.
- Suitable for leaking objects at 0.6 MPa feed pressure and sealed objects at 0.4 MPa feed pressure.

Technical data

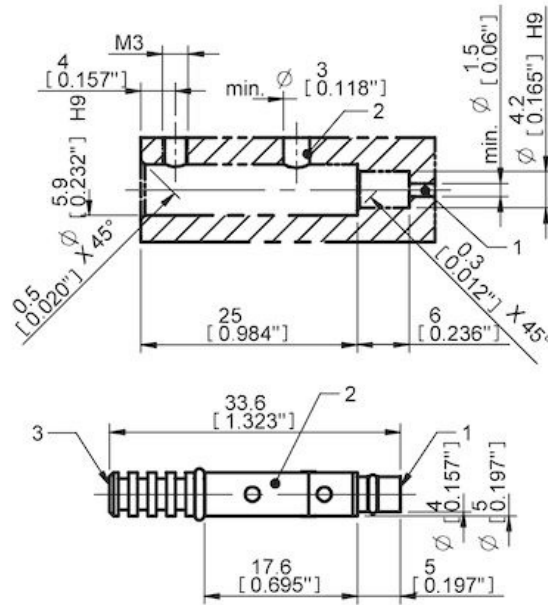
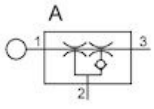
| Description | Unit | Value |
|---------------------|------|--------------------------------|
| Material | - | Al, Nitrile (NBR), PA, SS, TPE |
| Temperature, max. | °C | 80 |
| Temperature, min. | °C | -10 |
| Weight, max. | g | 2.3 |
| Weight, min. | g | 1.5 |
| Feed pressure, max. | MPa | 0.7 |

Performance

| Feed pressure MPa | Air consumption Nl/s | Vacuum flow (Nl/s) at different vacuum levels (-kPa) | | | | | | | | | | | | | Max vacuum kPa |
|----------------------|-------------------------|--|------|------|------|------|------|-------|-------|----|-------|----|----|----|-------------------|
| | | 0 | 10 | 20 | 30 | 40 | 50 | 60 | 70 | 75 | 80 | 90 | 95 | 99 | |
| 0.45 | 0.29 | 0.35 | 0.31 | 0.25 | 0.18 | 0.11 | 0.08 | 0.06 | 0.03 | 0 | 0.007 | 0 | 0 | 0 | ≥84 |
| 0.6 | 0.37 | 0.34 | 0.3 | 0.26 | 0.21 | 0.16 | 0.1 | 0.048 | 0.023 | 0 | 0 | 0 | 0 | 0 | ≥79 |

| Feed pressure MPa | Air consumption Nl/s | Evacuation time (s/l) to reach different vacuum levels (-kPa) | | | | | | | | | | | | | Max vacuum kPa |
|----------------------|-------------------------|---|------|-------|------|------|------|------|------|----|----|----|------|-------|-------------------|
| | | 10 | 20 | 30 | 40 | 50 | 60 | 70 | 80 | 90 | 95 | 99 | 99.5 | 100.3 | |
| 0.45 | 0.29 | 0.3 | 0.66 | 1.12 | 1.8 | 2.85 | 4.35 | 6.55 | 11.5 | 0 | 0 | 0 | 0 | 0 | ≥84 |
| 0.6 | 0.37 | 0.31 | 0.67 | 1.089 | 1.63 | 2.39 | 3.7 | 6.54 | 0 | 0 | 0 | 0 | 0 | 0 | ≥79 |

Dimensional drawings



Values specified in this datasheet are tested at (unless otherwise stated):

- Room temperature (20°C [68°F] ± 3°C [5.5°F]).
- Standard atmosphere (101.3 [29.9 inHg] ± 1.0 kPa [0.3 inHg]).
- Compressed air quality, DIN ISO 8573-1 class 4.

Tolerance and accuracy:

- Feed pressure tolerance ±0.02 MPa [2.9 psi]
- Vacuum flow/evacuation time accuracy ±10%.