

John Guest MDPE Compression Reducing Tee (Branch Reduced)

Securely and quickly connects three MDPE pipes of unequal size

Overview

John Guest MDPE Compression Reducing Tee (Branch Reduced) is designed to provide a secure and reliable connection between two MDPE pipes of equal diameter and a third, smaller MDPE pipe via a 90° branch, enabling water flow division.

Manufactured with a compact and durable design, the fitting is suited for cold water service installations where directional changes are required within restricted spaces or structured layouts.

Supplied pre-assembled and installation-ready, it offers a quick and efficient solution without the need for specialist tools or heat-based joining methods. The demountable connection makes it easy to work with in the ground during maintenance or alteration of an existing setup.



Features & Benefits

- Durable MDPE Compression Reducing Tee (Branch Reduced)
- Reduced 3-way connection enables a secure and compact branch connection to a smaller MDPE pipe, splitting the flow of water
- Strong compression connection for a leak-free joint without the need for heat or chemicals
- Quick and easy to install and demount without the need for specialist tools
- High-grade polypropylene body for durability and high impact resistance
- Corrosion-resistant and inhibits biological growth, making it suitable for outdoor and underground use
- Compatible with MDPE pipes only
- Suitable for cold water use only

Product code	Description	Bag QTY
UGCF30A252520	John Guest MDPE Compression Reducing Tee (Branch Reduced) - 25mm x 25mm x 20mm	10
UGCF30A323225	John Guest MDPE Compression Reducing Tee (Branch Reduced) - 32mm x 32mm x 25mm	N/A



John Guest MDPE Compression Reducing Tee (Branch Reduced)

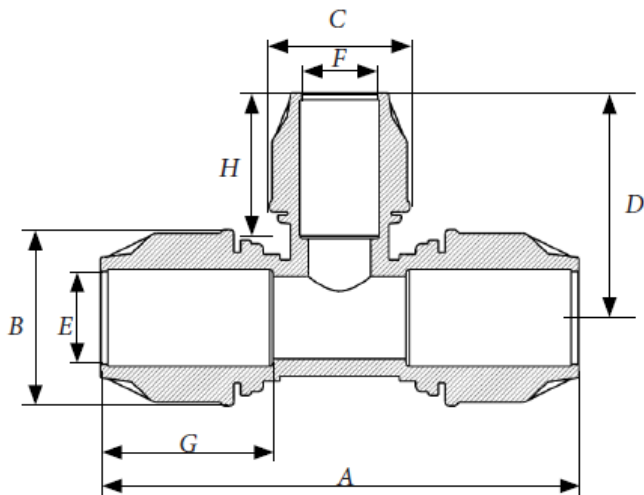
Operating Pressure & Temperature

Fittings are suitable for working pressures up to 16 bar at 20°C

Materials

Body	Polypropylene Copolymer (PP-B)
O-Ring	Nitrile rubber (NBR 70)
Insert Sleeve	Polypropylene Copolymer (PP-B)
Split Ring	Polyacetal (POM)
Compression Nut	Polypropylene Copolymer (PP-B)

Dimensions – All measurements in mm unless otherwise stated



Product Code	Size	A	B	C	D	E	F	G	H
UGCF30A252520	25mm x 25mm x 20mm	144.0	52.0	46.0	69.5	27.0	22.0	50.5	49.5
UGCF30A323225	32mm x 32mm x 25mm	173.5	62.5	52.0	73.5	33.5	27.0	62.0	51.0