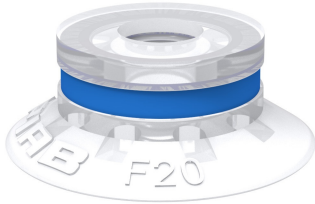


## Suction cup F20 Silicone FCM

Article number: 0200417



- The silicone material complies with FDA 21 CFR 177.2600 & EU 1935/2004.
- Suitable for flat objects.
- Good stability and little inherent movement.
- Recommended when the lifting force is parallel to the surface of the object.
- Cleats prevent thin, sensitive objects from being deformed and gives extra friction when the lifting force is parallel.

### Technical data

Description	Unit	Value
Suction cup shape	-	Flat
Application	-	Food contact materials (FDA & EU), non-detectable
Suction cup design	-	Round
Characteristics	-	Food contact materials (FDA & EU), non-detectable
Material	-	Silicone (SIL)
Weight, min.	g	1.2
Suction cup model	-	F
Volume	cm <sup>3</sup>	1
Height	mm	8
Outer diameter, min.	mm	22
Outer diameter, actuated	mm	23.2
Fitting size	-	None
Fitting option	-	None
Fitting style	-	None
Fitting type	-	None
Suction cup model	-	F20
Movement, vertical max.	mm	1.2
Curve radius, min.	mm	18

### Performance - Lifting forces

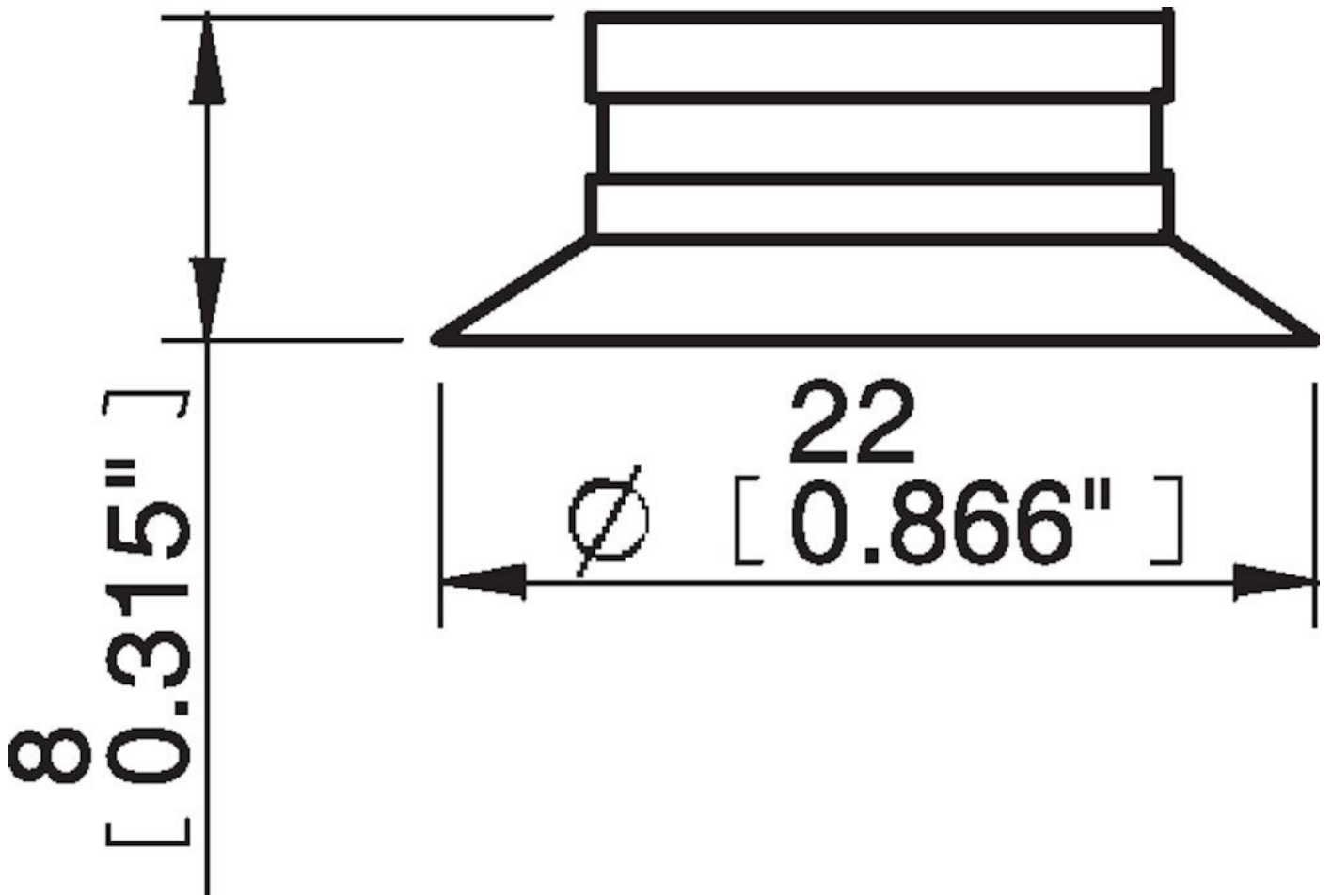
F20	Vertical (N)	Parallel (N)
20 -kPa	6	5
60 -kPa	14.5	8
90 -kPa	19	8.5

Material	
Name	Silicone (SIL FDA) 50° Shore
Colour	Transparent
Temperature, min.   °C	-40
Temperature max.   °C	200
Hardness   °Shore A	50

#### Material resistance

Alcohol	Good
Concentrated acids	Poor
Ethanol	n/a
Hydrolysis	Fair
Methanol	n/a
Oil	Poor
Oxidation	Excellent
Petrol	Poor
Wear resistance	Good
Weather and ozone	Excellent

#### Dimensional drawings



#### Values specified in this data sheet are tested at (unless otherwise stated):

- Room temperature (20°C [68°F] ± 3°C [5.5°F]).
- Standard atmosphere (101.3 [29.9 inHg] ± 1.0 kPa [0.3 inHg]).
- Relative humidity 20-70%.
- Compressed air quality, DIN ISO 8573-1 class 4.

## Accessories

0101152 | Fitting G1/8" male/M5 female, with mesh filter

3250085 | Fitting G1/8" male, with mesh filter

3250088 | Fitting 1/8" NPT male, with mesh filter