

# John Guest MDPE Compression 90 Degree Elbow

Securely and quickly connects two equally sized MDPE pipes to form a 90° pipe bend

## Overview

John Guest MDPE Compression 90 Degree Elbow is designed to provide a secure and reliable connection between two lengths of MDPE pipe in the form of a right angle.

Manufactured with a compact and durable design, the fitting is suited for cold water service installations where directional changes are required within restricted spaces or structured layouts.

Supplied pre-assembled and installation-ready, it enables a quick and efficient solution without the need for specialist tools or heat-based joining methods. The demountable connection makes it easy to work with in the ground during maintenance or alteration of an existing setup.



## Features & Benefits

- Durable MDPE Compression 90 Degree Elbow
- Precise 90° directional change for clean right-angle turns in pipe layouts; ideal for tight spaces and complex installations
- Secure and strong compression connection for a leak-free joint without the use of heat or chemicals
- Quick and easy to install and demount without the need for specialist tools
- High-grade polypropylene body for durability and high impact resistance
- Corrosion-resistant and inhibits biological growth, making it suitable for outdoor and underground use
- Compatible with MDPE pipes only
- Suitable for cold water use only

Product code	Description	Bag QTY
UGCF0320	John Guest MDPE Compression Elbow - 90 Degree - 20mm	20
UGCF0325	John Guest MDPE Compression Elbow - 90 Degree - 25mm	15
UGCF0332	John Guest MDPE Compression Elbow - 90 Degree - 32mm	5



# John Guest MDPE Compression 90 Degree Elbow

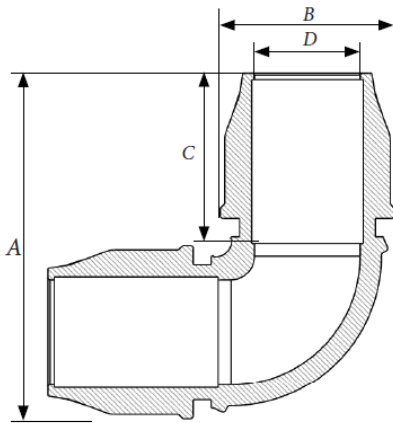
## Operating Pressure & Temperature

Fittings are suitable for working pressures up to 16 bar at 20°C

## Materials

Body	Polypropylene Copolymer (PP-B)
O-Ring	Nitrile rubber (NBR 70)
Insert Sleeve	Polypropylene Copolymer (PP-B)
Split Ring	Polyacetal (POM)
Compression Nut	Polypropylene Copolymer (PP-B)

## Dimensions – All measurements in mm unless otherwise stated



Product Code	Size	A	B	C	D
UGCF0320	20mm x 20mm	87.50	46.00	50.00	22.00
UGCF0325	25mm x 25mm	97.50	52.00	51.50	27.00
UGCF0332	32mm x 32mm	118.00	62.50	61.50	33.50