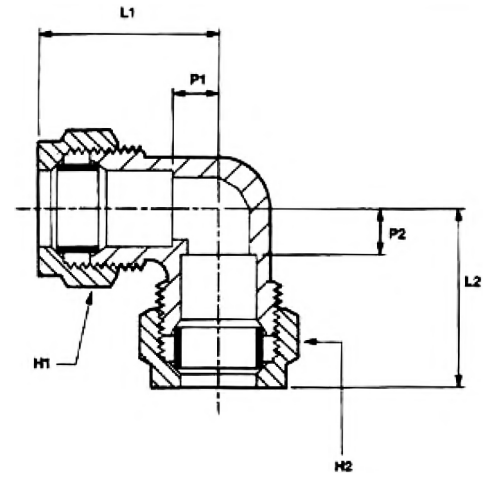


Elbow, Metric

Wade



Features & Benefits

- 90° elbow configuration
- Enables connection of two tubes of the same outside diameter

Part No	Tube OD	Tube OD	L1 Length	L2 Length	H1 Hex A/F	H2 Hex A/F	P1 Abutment	P2 Abutment
WADE-ME106	6	6	23mm	23mm	12mm	12mm	9.5mm	9.5mm
WADE-ME108	8	8	25.5mm	25.5mm	14mm	14mm	10.5mm	10.5mm
WADE-ME110	10	10	28.5mm	28.5mm	19mm	19mm	13.5mm	13.5mm
WADE-ME112	12	12	31mm	31mm	22mm	22mm	15.5mm	15.5mm
WADE-ME115	15	15	40.5mm	40.5mm	24mm	24mm	20mm	20mm
WADE-ME116	16	16	40mm	40mm	27mm	27mm	20mm	20mm
WADE-ME122	22	22	50.5mm	50.5mm	36mm	36mm	28mm	28mm