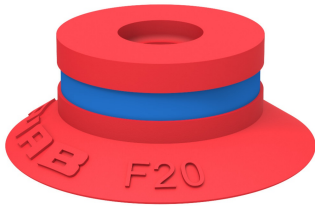


Suction cup F20 Silicone

Article number: 0101130



- Suitable for flat objects.
- Good stability and little inherent movement.
- Recommended when the lifting force is parallel to the surface of the object.
- Cleats prevent thin, sensitive objects from being deformed and gives extra friction when the lifting force is parallel.

Technical data

| Description | Unit | Value |
|--------------------------|-----------------|-----------------|
| Suction cup shape | - | Flat |
| Application | - | Dry sheet metal |
| Suction cup design | - | Round |
| Characteristics | - | Dry sheet metal |
| Material | - | Silicone (SIL) |
| Weight, min. | g | 1.2 |
| Suction cup model | - | F |
| Volume | cm ³ | 1 |
| Height | mm | 8 |
| Outer diameter, min. | mm | 22 |
| Outer diameter, actuated | mm | 23.2 |
| Fitting size | - | None |
| Fitting option | - | None |
| Fitting style | - | None |
| Fitting type | - | None |
| Suction cup model | - | F20 |
| Movement, vertical max. | mm | 1.2 |
| Curve radius, min. | mm | 18 |

Performance - Lifting forces

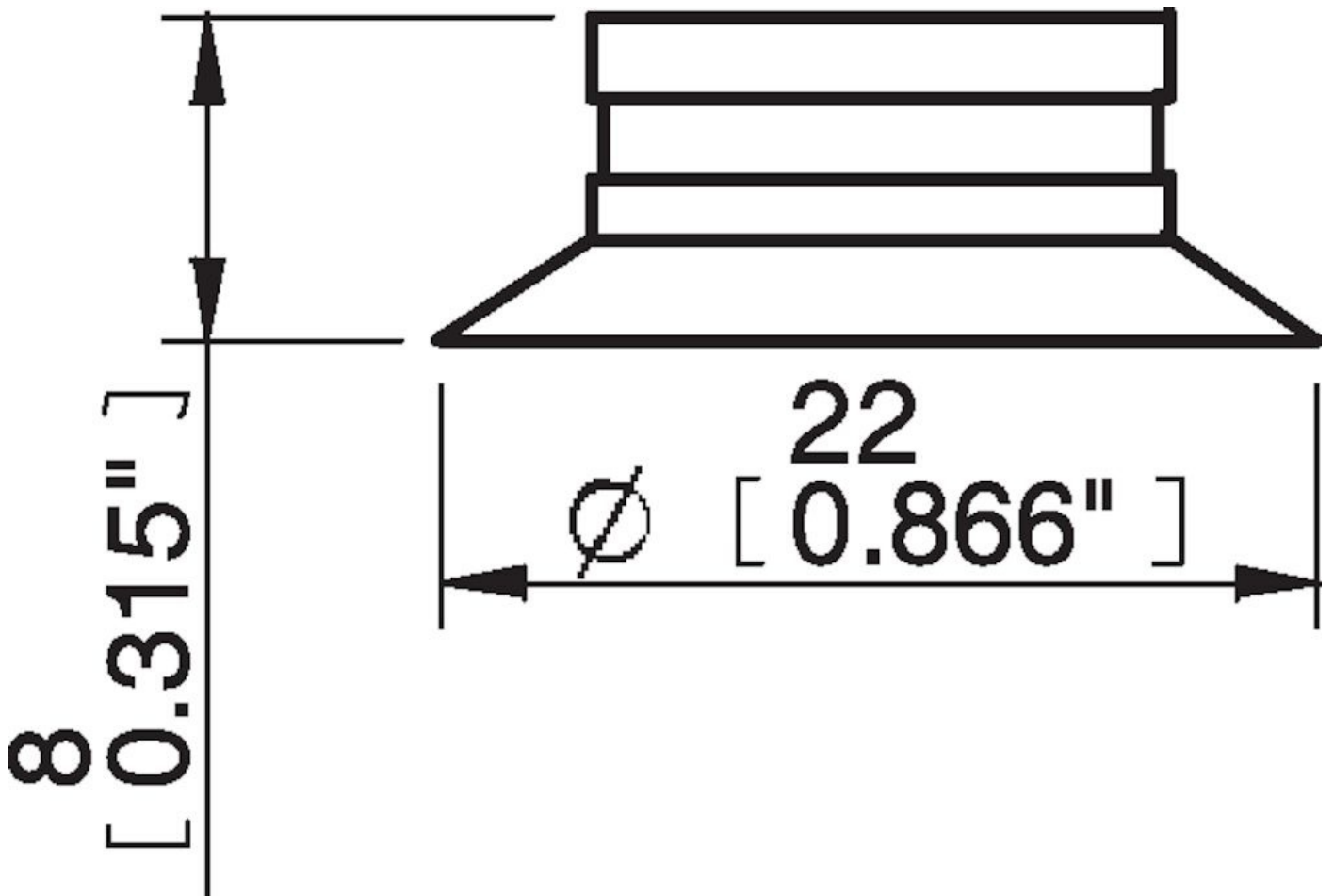
| F20 | Vertical (N) | Parallel (N) |
|---------|--------------|--------------|
| 20 -kPa | 6 | 5 |
| 60 -kPa | 14.5 | 8 |
| 90 -kPa | 19 | 8.5 |

| Material | |
|------------------------|---------------------------|
| Name | Silicone, SIL 50° Shore A |
| Colour | Red |
| Temperature, min. °C | -40 |
| Temperature max. °C | 200 |
| Hardness °Shore A | 50 |

Material resistance

| | |
|--------------------|-----------|
| Alcohol | Good |
| Concentrated acids | Poor |
| Ethanol | n/a |
| Hydrolysis | Fair |
| Methanol | n/a |
| Oil | Poor |
| Oxidation | Excellent |
| Petrol | Poor |
| Wear resistance | Good |
| Weather and ozone | Excellent |

Dimensional drawings



Values specified in this data sheet are tested at (unless otherwise stated):

- Room temperature (20°C [68°F] ± 3°C [5.5°F]).
- Standard atmosphere (101.3 [29.9 inHg] ± 1.0 kPa [0.3 inHg]).
- Relative humidity 20-70%.
- Compressed air quality, DIN ISO 8573-1 class 4.

Accessories

0100260 | Fitting 5xM5 female

0101152 | Fitting G1/8" male/M5 female, with mesh filter

3150196 | Fitting G1/8" male/M5 female, PA

3250003 | Fitting M5 female

3250004 | Fitting G1/8" male/M5 female

3250085 | Fitting G1/8" male, with mesh filter

3250088 | Fitting 1/8" NPT male, with mesh filter

3251001 | Fitting M5 female, with dual flow control valve

3251003 | Fitting 1/8" NPT male, with dual flow control valve

3251004 | Fitting G1/8" male/M5 female, with dual flow control valve

3251005 | Fitting 5xM5 female, with dual flow control valve