

Vacuum pump MINI X40L, conn. K, NBR sealings

Article number: 0100423



- Extra vacuum level to 93 -kPa
- Small size and low weight
- Use in tightly sealed or non-porous applications

Technical data

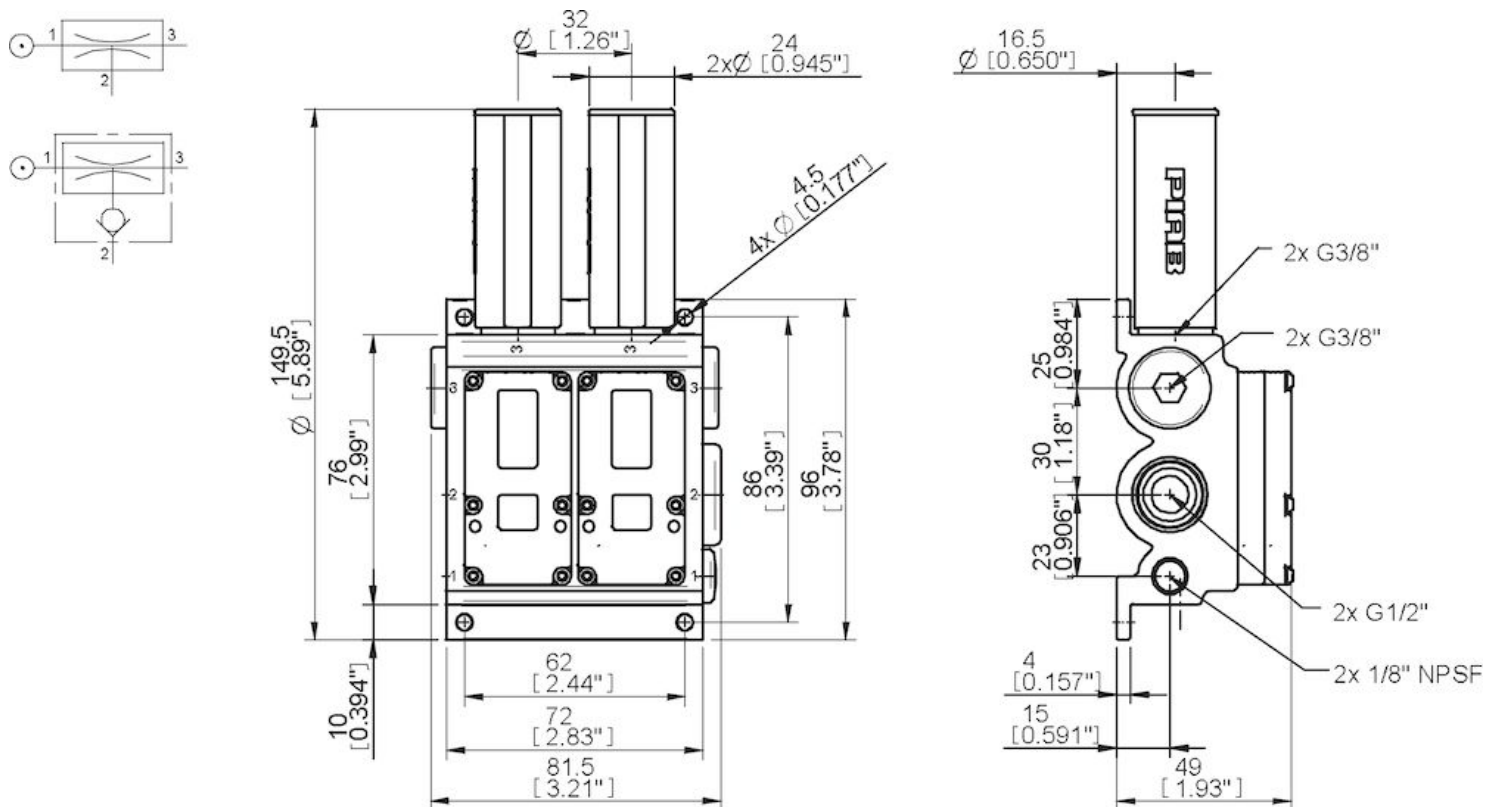
Description	Unit	Value
Material	-	ABS, Al, NBR (FKM), PA, POM, SS
Temperature, max.	°C	80
Temperature, min.	°C	-20
Weight, max.	g	420
Noise level, max.	dB(A)	70
Noise level, min.	dB(A)	60

Performance

Feed pressure MPa	Air consumption NI/s	Vacuum flow (NI/s) at different vacuum levels (-kPa)													Max vacuum kPa
		0	10	20	30	40	50	60	70	75	80	90	95	99	
0.4	3.1	3.2	1.5	1	0.9	0.7	0.6	0.5	0.4	0	0.17	0.038	0	0	≥93

Feed pressure MPa	Air consumption NI/s	Evacuation time (s/l) to reach different vacuum levels (-kPa)													Max vacuum kPa
		10	20	30	40	50	60	70	80	90	95	99	99.5	100.3	
0.4	3.1	0.038	0.12	0.22	0.33	0.48	0.68	1.2	2.2	3.2	0	0	0	0	≥93

Dimensional drawings



Values specified in this datasheet are tested at (unless otherwise stated):

- Room temperature (20°C [68°F] ± 3°C [5.5°F]).
- Standard atmosphere (101.3 [29.9 inHg] ± 1.0 kPa [0.3 inHg]).
- Compressed air quality, DIN ISO 8573-1 class 4.

Tolerance and accuracy:

- Feed pressure tolerance ±0.02 MPa [2.9 psi]
- Vacuum flow/evacuation time accuracy ±10%.

Spare parts

0100491 | Sealing kit MINI 30–60, NBR