

COAX® cartridge MIDI Pi48-3

Article number: 0106639



- Three-stage COAX® cartridge - MIDI - with high initial vacuum flow.
- Vacuum level to 90 -kPa at low feed pressure.
- High system reliability in case of fluctuating or low feed pressure.
- Suitable for fast evacuation of large volumes in sealed systems.
- Efficient generator of blow-air. Recommended for overpressures between 0.05 and 0.14 MPa.

Technical data

Description	Unit	Value
Material	-	Al, FKM, Nitrile (NBR), PA, SS
Temperature, max.	°C	80
Temperature, min.	°C	-10
Weight, max.	g	70
Weight, min.	g	33
Feed pressure, max.	MPa	0.7

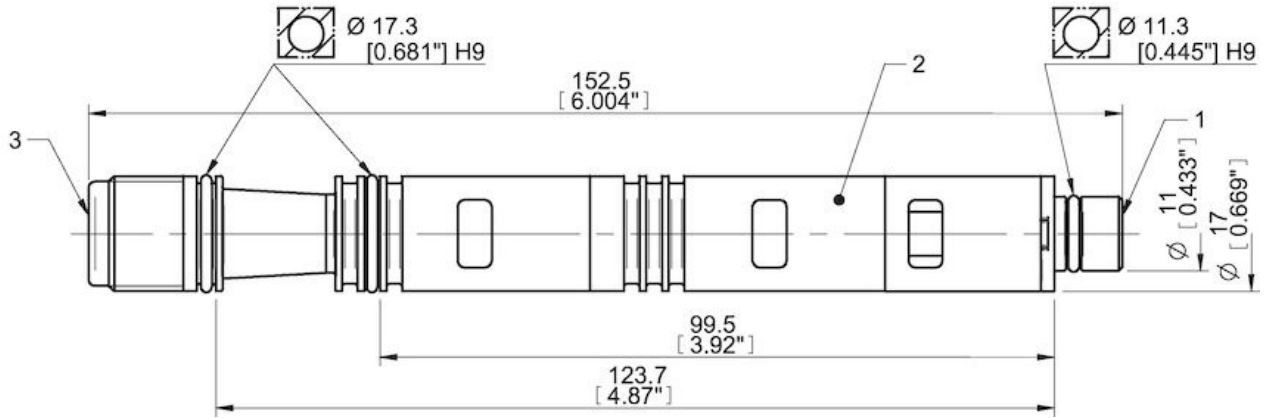
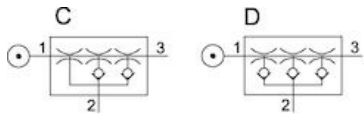
Performance

Feed pressure MPa	Air consumption Nl/s	Vacuum flow (Nl/s) at different vacuum levels (-kPa)														Max vacuum kPa			
		0	10	20	30	40	50	60	70	75	80	90	95	99					
0.17	1.37	4	1.7	1.2	0.7	0.4	0.12	0	0	0	0	0	0	0	0	0	0	0	≥55
0.22	1.62	5	2	1.5	0.9	0.55	0.45	0.26	0.07	0	0	0	0	0	0	0	0	0	≥73
0.31	2.05	5.6	2.5	1.8	1.1	0.65	0.5	0.35	0.25	0	0.1	0	0	0	0	0	0	0	≥90
0.4	2.54	5.7	2.5	2.1	1.5	1.1	0.66	0.36	0.26	0	0.08	0	0	0	0	0	0	0	≥86

Feed pressure MPa	Air consumption Nl/s	Evacuation time (s/l) to reach different vacuum levels (-kPa)														Max vacuum kPa				
		10	20	30	40	50	60	70	80	90	95	99	99.5	100.3						
0.17	1.37	0.03	0.1	0.2	0.4	1	0	0	0	0	0	0	0	0	0	0	0	0	0	≥55
0.22	1.62	0.025	0.08	0.17	0.3	0.5	0.8	1.7	0	0	0	0	0	0	0	0	0	0	0	≥73
0.31	2.05	0.02	0.06	0.12	0.25	0.45	0.7	1	1.6	4	0	0	0	0	0	0	0	0	0	≥90
0.4	2.54	0.02	0.055	0.11	0.18	0.29	0.59	0.9	1.7	4.5	0	0	0	0	0	0	0	0	0	≥86

Feed pressure MPa	Air consumption Nl/s	Blow flow (Nl/s) at different pressure levels (-kPa)														Max pressure kPa					
		0	10	20	30	40	50	60	70	80	90	100	110	120	130		140				
0.6	3.5	9.5	8	6.5	6.25	6	5.65	5.3	4.7	4.6	4.6	4.6	4.5	4.3	4	3.7	0	0	0	0	≥0

Dimensional drawings



Values specified in this datasheet are tested at (unless otherwise stated):

- Room temperature (20°C [68°F] ± 3°C [5.5°F]).
- Standard atmosphere (101.3 [29.9 inHg] ± 1.0 kPa [0.3 inHg]).
- Compressed air quality, DIN ISO 8573-1 class 4.

Tolerance and accuracy:

- Feed pressure tolerance ±0.02 MPa [2.9 psi]
- Vacuum flow/evacuation time accuracy ±10%.

Accessories

0111976 | Silencer COAX® MIDI

Spare parts

0109531 | Spare part kit Midi COAX

0124897 | Spare part kit Midi COAX Viton

0107131 | Cartridge holder Midi-3 cpl.