

Vacuum pump CLASSIC H120, connection plate composite PPS(D), Viton® sealings

Article number: 0100212



- Higher vacuum levels to 100.8 -kPa
- Use with practically zero leakage present and non-porous applications
- Available with connection plate in aluminium (AD) and composite PPS (D)

Technical data

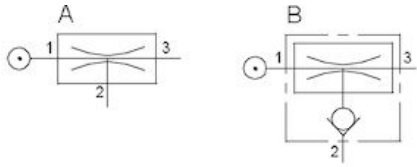
Description	Unit	Value
Material	-	PPS, SS, Viton®
Temperature, max.	°C	110
Temperature, min.	°C	-20
Weight, min.	g	820
Feed pressure, max.	MPa	0.7
Noise level, max.	dBA	65
Noise level, min.	dBA	60

Performance

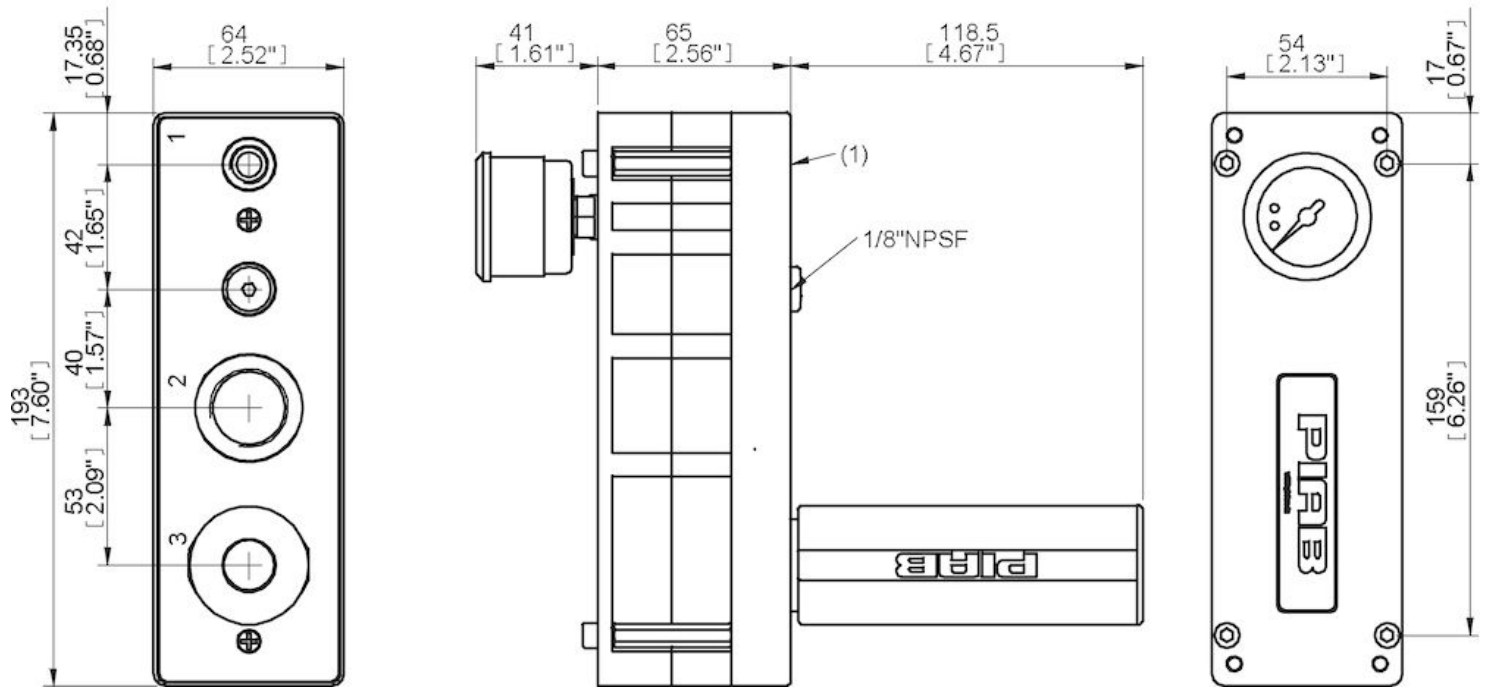
Feed pressure MPa	Air consumption Nl/s	Vacuum flow (Nl/s) at different vacuum levels (-kPa)														Max vacuum kPa
		0	10	20	30	40	50	60	70	75	80	90	95	99		
0.6	7.6	8.4	6.6	4.7	2.7	1.5	1.2	0.86	0.62	0	0.43	0.1	0.05	0.01	≥100.8	

Feed pressure MPa	Air consumption Nl/s	Evacuation time (s/l) to reach different vacuum levels (-kPa)													Max vacuum kPa
		10	20	30	40	50	60	70	80	90	95	99	99.5	100.3	
0.6	7.6	0.018	0.033	0.06	0.11	0.18	0.27	0.42	0.62	1.3	2.1	4.2	5.4	8.3	≥100.8

Dimensional drawings



	1	2	3
E	7/4"NPT	3/4"NPT	3/4"NPT



Values specified in this datasheet are tested at (unless otherwise stated):

- Room temperature (20°C [68°F] ± 3°C [5.5°F]).
- Standard atmosphere (101.3 [29.9 inHg] ± 1.0 kPa [0.3 inHg]).
- Compressed air quality, DIN ISO 8573-1 class 4.

Tolerance and accuracy:

- Feed pressure tolerance ±0.02 MPa [2.9 psi]
- Vacuum flow/evacuation time accuracy ±10%.

Spare parts

3201069 | Sealing kit CLASSIC, NBR

3201069V | Sealing kit CLASSIC, Viton®