

Vacuum pump MINI L56, conn. K, NBR sealings

Article number: 0102797



- Large vacuum flows
- Small size and low weight
- Good for handling porous materials or if leakage is present

Technical data

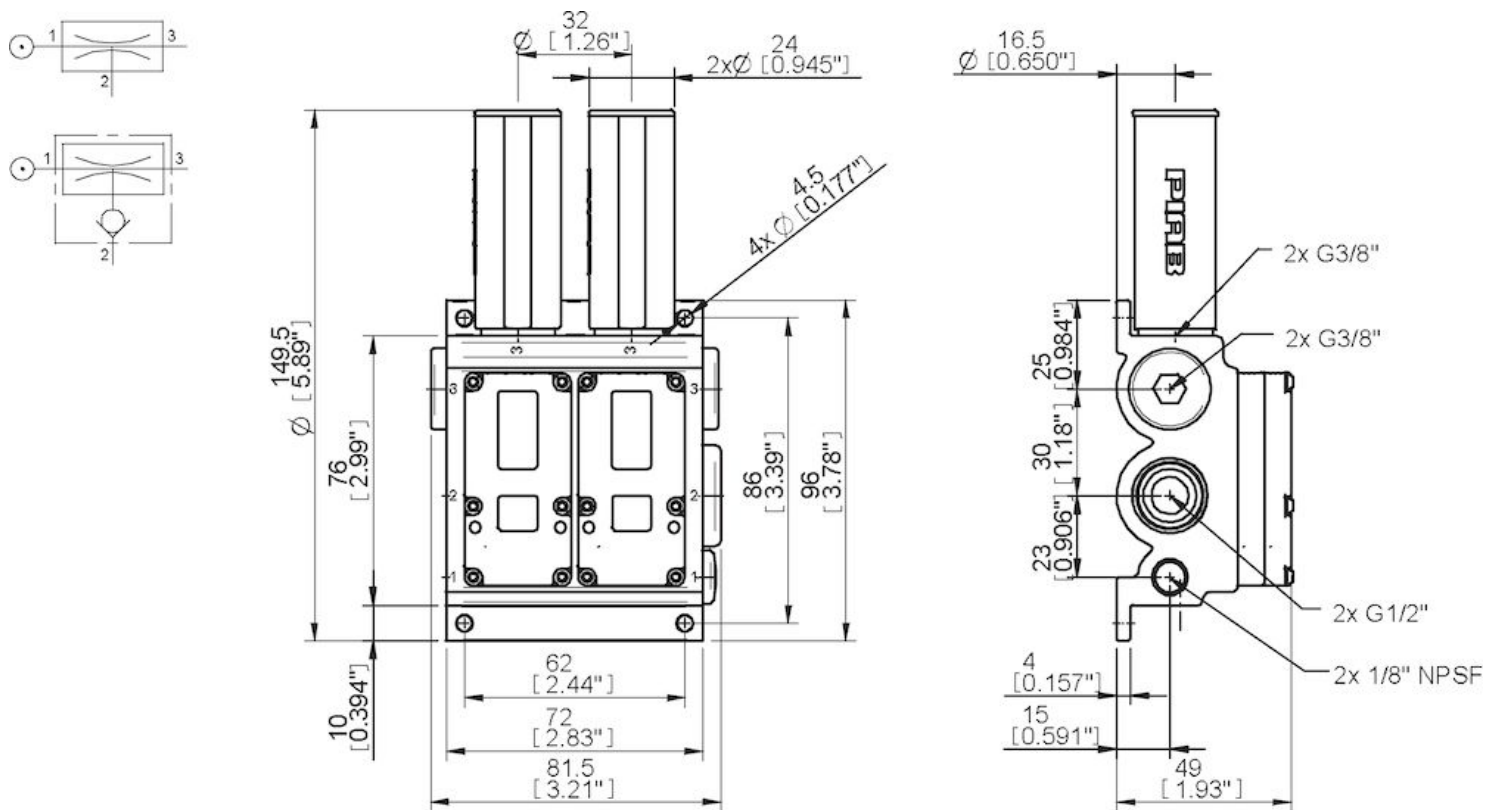
Description	Unit	Value
Material	-	ABS, Al, Nitrile (NBR), PA, POM, SS
Temperature, max.	°C	80
Temperature, min.	°C	-20
Weight, min.	g	420
Feed pressure, max.	MPa	0.7
Noise level, max.	dBA	68
Noise level, min.	dBA	57

Performance

Feed pressure MPa	Air consumption NI/s	Vacuum flow (NI/s) at different vacuum levels (-kPa)												Max vacuum kPa		
		0	10	20	30	40	50	60	70	75	80	90	95		99	
0.6	4	5.1	3.5	2	1.7	1.4	1.1	0.81	0.43	0	0	0	0	0	0	≥75

Feed pressure MPa	Air consumption NI/s	Evacuation time (s/l) to reach different vacuum levels (-kPa)													Max vacuum kPa	
		10	20	30	40	50	60	70	80	90	95	99	99.5	100.3		
0.6	4	0.023	0.053	0.1	0.16	0.23	0.33	0.5	0	0	0	0	0	0	0	≥75

Dimensional drawings



Values specified in this datasheet are tested at (unless otherwise stated):

- Room temperature (20°C [68°F] ± 3°C [5.5°F]).
- Standard atmosphere (101.3 [29.9 inHg] ± 1.0 kPa [0.3 inHg]).
- Compressed air quality, DIN ISO 8573-1 class 4.

Tolerance and accuracy:

- Feed pressure tolerance ±0.02 MPa [2.9 psi]
- Vacuum flow/evacuation time accuracy ±10%.

Spare parts

0100491 | Sealing kit MINI 30–60, NBR