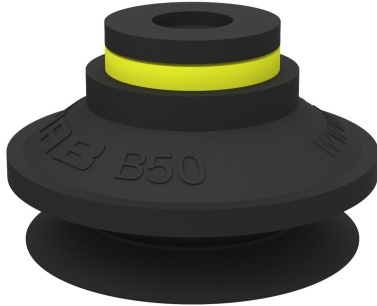


## Suction cup B50 Nitrile-PVC

Article number: 0101107



- Suitable for level adjustment. Several short bellows in one lifting device can handle objects with height differences and varying shapes, for example embossed or corrugated plates.
- The lifting movement can be used to separate small and thin objects.
- Only lightweight objects should be handled when the lifting force is parallel to the surface of the object, in order to achieve good precision and safe lifting movement.

### Technical data

Description	Unit	Value
Suction cup shape	-	Bellows
Application	-	Dry sheet metal, Plastic injection molded parts
Suction cup design	-	Round
Characteristics	-	Dry sheet metal, Plastic injection molded parts
Material	-	Nitrile-PVC (NPV)
Weight, min.	g	20
Suction cup model	-	B
Volume	cm <sup>3</sup>	32
Height	mm	35.3
Outer diameter, min.	mm	53
Fitting size	-	None
Fitting option	-	None
Fitting style	-	None
Fitting type	-	None
Suction cup model	-	B50
Movement, vertical max.	mm	18.2
Curve radius, min.	mm	30

### Performance - Lifting forces

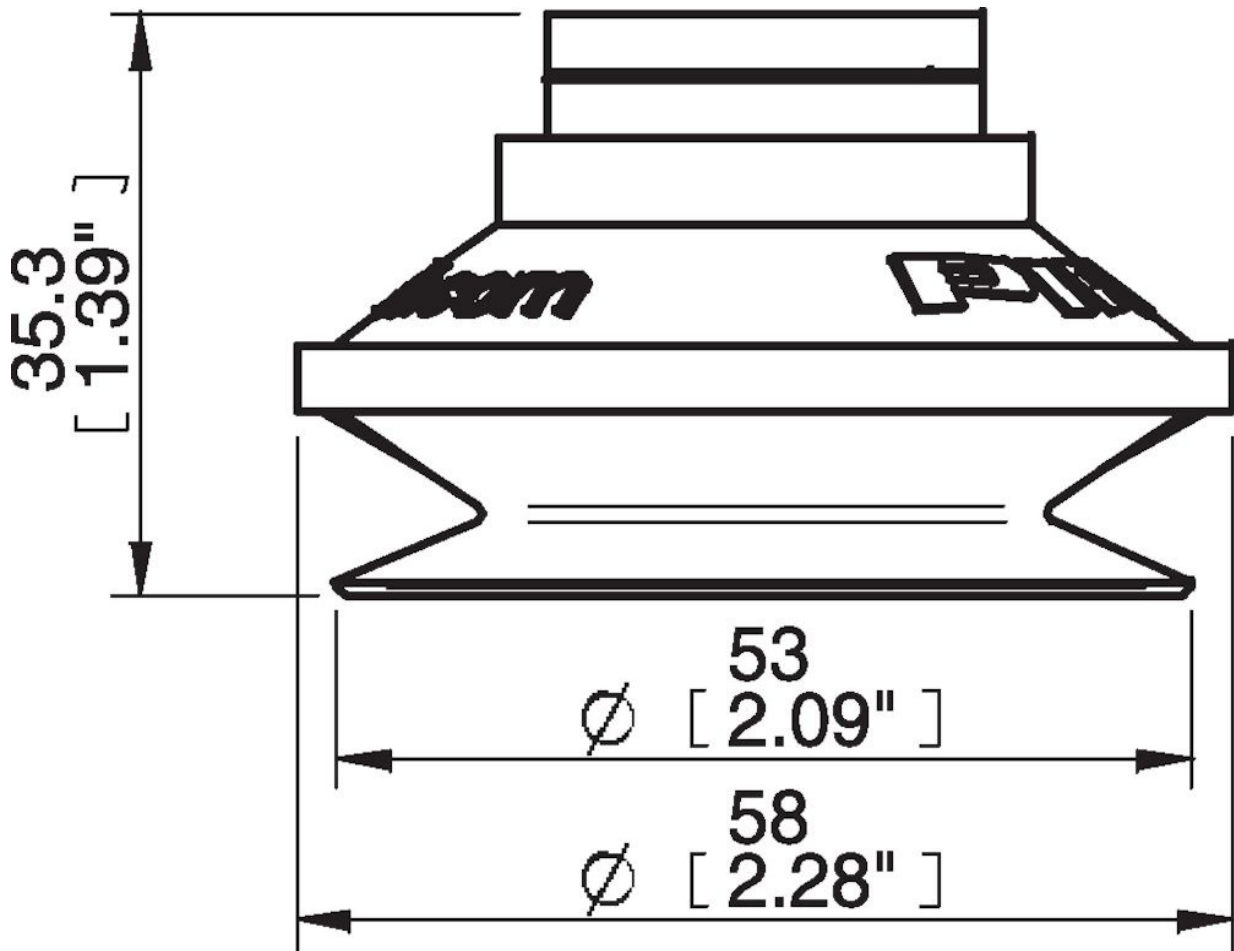
B50	Vertical (N)	Parallel (N)
20 -kPa	33	24.2
60 -kPa	65	51.2
90 -kPa	82	60.8

Material	
Name	Nitrile-PVC (NPV)
Colour	Black
Temperature, min.   °C	0
Temperature max.   °C	90
Hardness   °Shore A	50

### Material resistance

Alcohol	Good
Concentrated acids	Fair
Ethanol	n/a
Hydrolysis	Good
Methanol	n/a
Oil	Excellent
Oxidation	Good
Petrol	Excellent
Wear resistance	Excellent
Weather and ozone	Good

### Dimensional drawings



### Values specified in this data sheet are tested at (unless otherwise stated):

- Room temperature (20°C [68°F] ± 3°C [5.5°F]).
- Standard atmosphere (101.3 [29.9 inHg] ± 1.0 kPa [0.3 inHg]).
- Relative humidity 20-70%.
- Compressed air quality, DIN ISO 8573-1 class 4.

## Accessories

0100262 | Fitting 5x1/8" NPSF female, 50  
0101154 | Fitting 1/8" NPSF female, 50, with mesh filter  
0200715 | Fitting G1/8" male, 50, with mesh filter  
3150198 | Fitting 1/8" NPSF female, 50, PA  
3250017 | Fitting 1/8" NPSF female, 50  
3250087 | Fitting G3/8" male, 50, with mesh filter  
3250090 | Fitting 3/8" NPT male, with mesh filter  
3250092 | Fitting G1/4" male, 50, with mesh filter  
3250094 | Fitting 1/4" NPT male, with mesh filter  
3251012 | Fitting 1/8" NPSF female, 50, with dual flow control valve  
3251013 | Fitting G1/4" male, with mesh filter and dual flow control valve  
3251014 | Fitting 1/4" NPT male, with dual flow control valve  
3251015 | Fitting G3/8" male, 50, with mesh filter and dual flow control valve  
3251016 | Fitting 3/8" NPT male, with dual flow control valve  
3251017 | Fitting 5x1/8" NPSF female, 50, with dual flow control valve