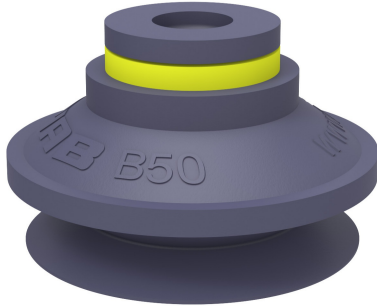


Suction cup B50 HNBR

Article number: 0108165



- Suitable for level adjustment. Several short bellows in one lifting device can handle objects with height differences and varying shapes, for example embossed or corrugated plates.
- The lifting movement can be used to separate small and thin objects.
- Only lightweight objects should be handled when the lifting force is parallel to the surface of the object, in order to achieve good precision and safe lifting movement.

Technical data

Description	Unit	Value
Suction cup shape	-	Bellows
Application	-	Dry sheet metal, Glass handling, High/low temp cup, Plastic injection molded parts, Mark Free
Suction cup design	-	Round
Characteristics	-	Dry sheet metal, Glass handling, High/low temp cup , Plastic injection molded parts, Mark free
Material	-	HNBR
Weight, min.	g	20
Suction cup model	-	B
Volume	cm ³	32
Height	mm	35.3
Outer diameter, min.	mm	53.7
Outer diameter, actuated	mm	60
Fitting size	-	None
Fitting option	-	None
Fitting style	-	None
Fitting type	-	None
Suction cup model	-	B50
Movement, vertical max.	mm	18.2
Curve radius, min.	mm	30

Performance - Lifting forces

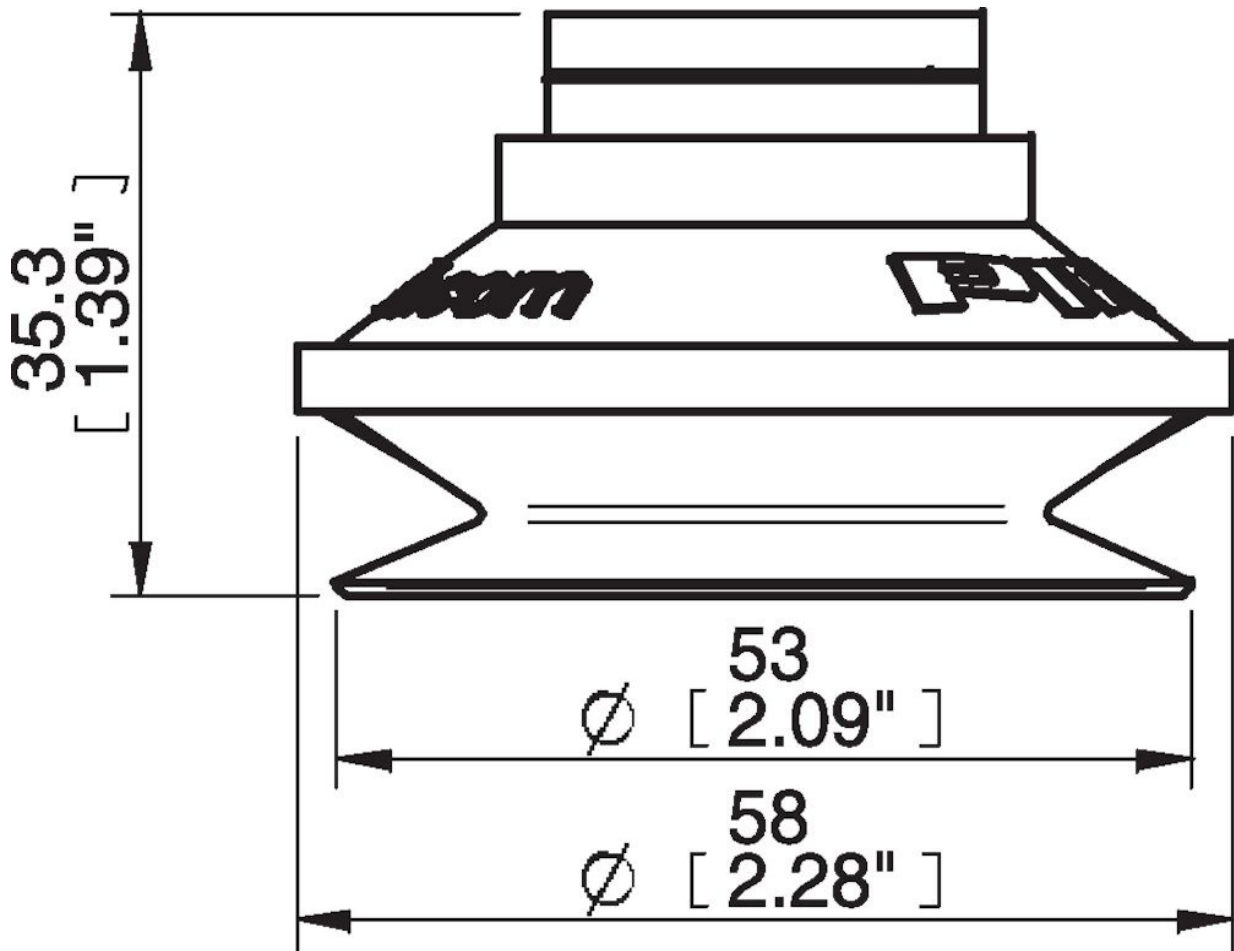
B50	Vertical (N)	Parallel (N)
20 -kPa	33	24.2
60 -kPa	65	51.2
90 -kPa	82	60.8

Material	
Name	HNBR 75° Shore A
Colour	Blue/grey
Temperature, min. °C	-30
Temperature max. °C	140
Hardness °Shore A	75

Material resistance

Alcohol	Good
Concentrated acids	Fair
Ethanol	n/a
Hydrolysis	Good
Methanol	n/a
Oil	Excellent
Oxidation	Excellent
Petrol	Excellent
Wear resistance	Excellent
Weather and ozone	Excellent

Dimensional drawings



Values specified in this data sheet are tested at (unless otherwise stated):

- Room temperature (20°C [68°F] ± 3°C [5.5°F]).
- Standard atmosphere (101.3 [29.9 inHg] ± 1.0 kPa [0.3 inHg]).
- Relative humidity 20-70%.
- Compressed air quality, DIN ISO 8573-1 class 4.

Accessories

0100262 | Fitting 5x1/8" NPSF female, 50
0101154 | Fitting 1/8" NPSF female, 50, with mesh filter
0200715 | Fitting G1/8" male, 50, with mesh filter
3150198 | Fitting 1/8" NPSF female, 50, PA
3250017 | Fitting 1/8" NPSF female, 50
3250087 | Fitting G3/8" male, 50, with mesh filter
3250090 | Fitting 3/8" NPT male, with mesh filter
3250092 | Fitting G1/4" male, 50, with mesh filter
3250094 | Fitting 1/4" NPT male, with mesh filter
3251012 | Fitting 1/8" NPSF female, 50, with dual flow control valve
3251013 | Fitting G1/4" male, with mesh filter and dual flow control valve
3251014 | Fitting 1/4" NPT male, with dual flow control valve
3251015 | Fitting G3/8" male, 50, with mesh filter and dual flow control valve
3251016 | Fitting 3/8" NPT male, with dual flow control valve
3251017 | Fitting 5x1/8" NPSF female, 50, with dual flow control valve