

## Suction cup B20 Silicone

Article number: 0101102



- Suitable for level adjustment. Several short bellows in one lifting device can handle objects with height differences and varying shapes, for example embossed or corrugated plates.
- The lifting movement can be used to separate small and thin objects.
- Only lightweight objects should be handled when the lifting force is parallel to the surface of the object, in order to achieve good precision and safe lifting movement.

### Technical data

| Description             | Unit            | Value   |
|-------------------------|-----------------|---|
| Suction cup shape       | -               | Bellows   |
| Application             | -               | Dry sheet metal, Plastic injection molded parts |
| Suction cup design      | -               | Round   |
| Characteristics         | -               | Dry sheet metal, Plastic injection molded parts |
| Material                | -               | Silicone (SIL)                                  |
| Weight, min.            | g               | 3.2   |
| Suction cup model       | -               | B   |
| Volume                  | cm <sup>3</sup> | 2.7   |
| Height                  | mm              | 19  |
| Outer diameter, min.    | mm              | 22  |
| Fitting size            | -               | None  |
| Fitting option          | -               | None  |
| Fitting style           | -               | None  |
| Fitting type            | -               | None  |
| Suction cup model       | -               | B20   |
| Movement, vertical max. | mm              | 10  |
| Curve radius, min.      | mm              | 10  |

### Performance - Lifting forces

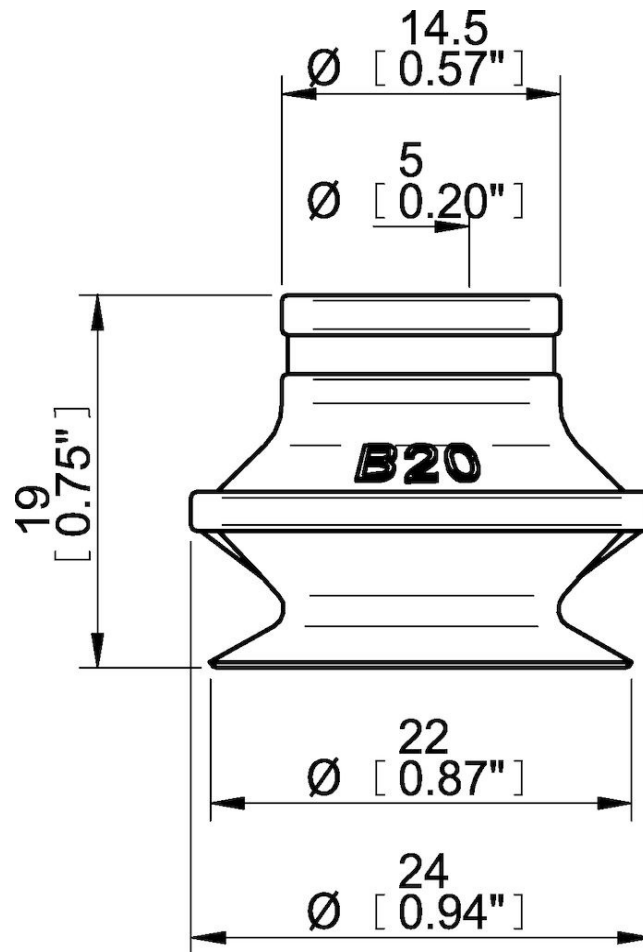
| B20     | Vertical (N) | Parallel (N) |
|---------|--------------|--------------|
| 20 -kPa | 5.9          | 2.9          |
| 60 -kPa | 9.8          | 5.4          |
| 90 -kPa | 14           | 8.22         |

| Material               |                           |
|------------------------|---------------------------|
| Name                   | Silicone, SIL 50° Shore A |
| Colour                 | Red                       |
| Temperature, min.   °C | -40                       |
| Temperature max.   °C  | 200                       |
| Hardness   °Shore A    | 50                        |

### Material resistance

|                    |           |
|--------------------|-----------|
| Alcohol            | Good      |
| Concentrated acids | Poor      |
| Ethanol            | n/a       |
| Hydrolysis         | Fair      |
| Methanol           | n/a       |
| Oil                | Poor      |
| Oxidation          | Excellent |
| Petrol             | Poor      |
| Wear resistance    | Good      |
| Weather and ozone  | Excellent |

### Dimensional drawings



### Values specified in this data sheet are tested at (unless otherwise stated):

- Room temperature (20°C [68°F] ± 3°C [5.5°F]).
- Standard atmosphere (101.3 [29.9 inHg] ± 1.0 kPa [0.3 inHg]).
- Relative humidity 20-70%.
- Compressed air quality, DIN ISO 8573-1 class 4.

## Accessories

0100260 | Fitting 5xM5 female

0101152 | Fitting G1/8" male/M5 female, with mesh filter

3150196 | Fitting G1/8" male/M5 female, PA

3250003 | Fitting M5 female

3250004 | Fitting G1/8" male/M5 female

3250085 | Fitting G1/8" male, with mesh filter

3250088 | Fitting 1/8" NPT male, with mesh filter

3251001 | Fitting M5 female, with dual flow control valve

3251003 | Fitting 1/8" NPT male, with dual flow control valve

3251004 | Fitting G1/8" male/M5 female, with dual flow control valve

3251005 | Fitting 5xM5 female, with dual flow control valve