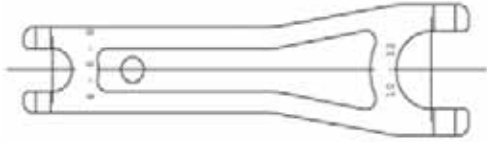
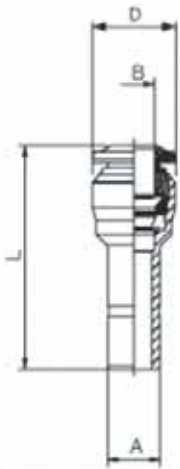

50900 - ALUMINIUM MANIFOLD 5 WAYS

Tubo	A	C	D	L	L1	L2	Conf./Pack	Draw
4	1/8	15	25	75	12	13,5	5	Download (1.21 MB)
6	1/8	15	25	90	14,5	16	5	Download (852.98 KB)
6	1/4	20	30	90	14,5	16	5	Download (853.57 KB)
8	1/4	20	30	100	16	18	5	Download (1.42 MB)

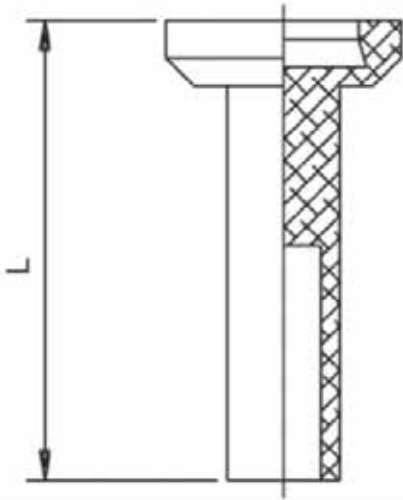


50990 - TOOL FOR DISASSEMBLING

Conf./Pack	Draw
10	Not avail.

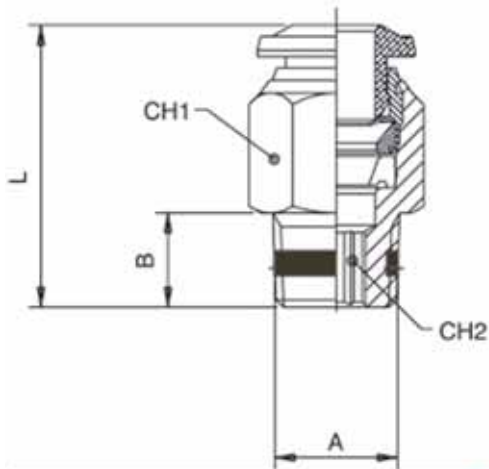

50700 - REDUCER

A	B	L	D	Conf./Pack	Draw
4	3	30	8,5	25	Download (250.05 KB)
5	4	32	11,5	25	Download (251.37 KB)
6	4	30	10,5	25	Download (251.74 KB)
6	5	34,5	11,5	25	Download (341.55 KB)
8	4	32,5	10,5	25	Download (251.21 KB)
8	6	34,5	12,5	25	Download (174.26 KB)
10	4	31,5	10,5	25	Download (361.99 KB)
10	8	38,5	14,5	25	Download (298.07 KB)
12	8	39,5	14,5	25	Download (288.99 KB)

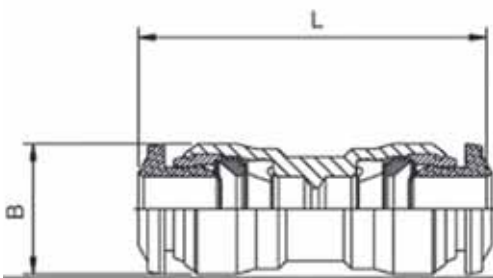


8610 - PLUG (PA11)

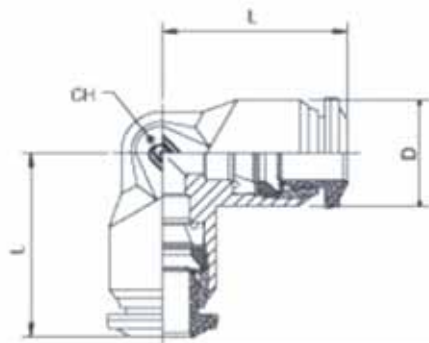
Tube/Tube	L	Conf./Pack	Draw
3	18	25	Download (18.65 KB)
4	23.5	25	Download (19.01 KB)
5	24.5	25	Download (18.79 KB)
6	24.5	25	Download (18.00 KB)
8	26	25	Download (18.81 KB)
10	28.5	25	Download (18.71 KB)
12	28.5	25	Download (18.77 KB)


50000 - STRAIGHT MALE ADAPTOR (SHORT)

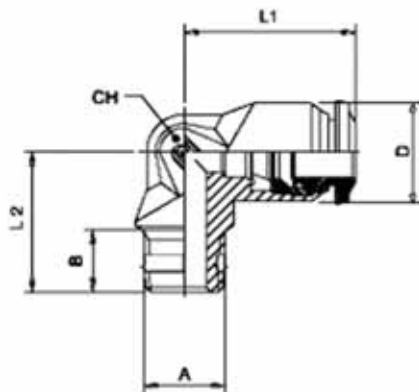
Tubo	A	B	L	CH1	CH2	Conf./Pack	Draw
4	1/8	5,5	18	11	3	25	Download (272.28 KB)
4	1/4	7	19	14	3	25	Download (387.87 KB)
5	1/8	5,5	20	11	4	25	Download (491.28 KB)
5	1/4	7	20	14	4	25	Download (482.14 KB)
6	1/8	5,5	21,5	13	4	25	Download (231.88 KB)
6	1/4	7	21	14	4	25	Download (239.21 KB)
6	3/8	7,5	23	17	4	25	Download (231.41 KB)
6	1/2	9	23,5	21	4	25	Download (235.79 KB)
8	1/8	5,5	24,5	14	5	25	Download (432.28 KB)
8	1/4	7	22	14	6	25	Download (441.71 KB)
8	3/8	7,5	23	17	6	25	Download (433.86 KB)
8	1/2	9	23,5	21	6	25	Download (439.23 KB)
10	1/4	7	28	17	7	25	Download (259.21 KB)
10	3/8	7,5	25,5	17	8	25	Download (265.54 KB)
10	1/2	9	26	21	8	25	Download (257.57 KB)
12	1/4	7	31,5	20	7	25	Download (238.35 KB)
12	3/8	7,5	29,5	20	9	25	Download (245.09 KB)
12	1/2	9	31,5	21	10	25	Download (246.59 KB)
14	3/8	7,5	32,5	21	9	10	Download (243.36 KB)
14	1/2	9	31,5	21	10	10	Download (241.26 KB)


50040 - STRAIGHT CONNECTOR

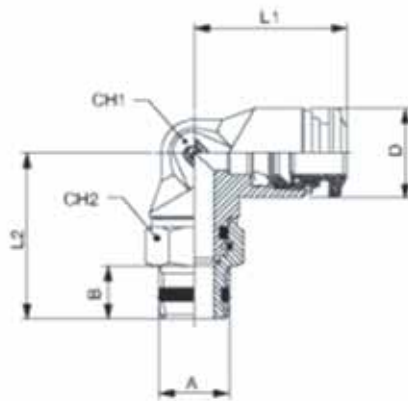
Tubo	L	B	Conf./Peck	Draw
3	26	8,5	25	Download (477.80 KB)
4	30,5	10,5	25	Download (481.62 KB)
5	33	11,5	25	Download (656.88 KB)
6 - 4	32	12,5	25	Download (391.15 KB)
6	34	12,5	25	Download (294.99 KB)
8 - 6	35	14,5	25	Download (438.65 KB)
8	36	14,5	25	Download (576.85 KB)
10 - 8	40,5	17,5	25	Download (461.03 KB)
10	42	17,5	25	Download (339.22 KB)
12 - 10	45,5	20,5	25	Download (327.96 KB)
12	47	20,5	25	Download (311.14 KB)
14	49	21,5	10	Download (297.34 KB)


50130 - ELBOW CONNECTOR

Tubo	L	CH	D	Conf./Pack	Draw
3	17	9	10	25	Download (790.22 KB)
4	17	9	10	25	Download (780.28 KB)
5	20	11	12,5	25	Download (745.31 KB)
6	21	11	12,5	25	Download (400.35 KB)
8	22,5	13	14	25	Download (645.22 KB)
10	26,5	16	17	25	Download (399.37 KB)
12	30,5	19	21,5	25	Download (385.45 KB)
14	32,5	19	21,5	10	Download (346.85 KB)


50100 - ELBOW MALE ADAPTOR (TAPER)

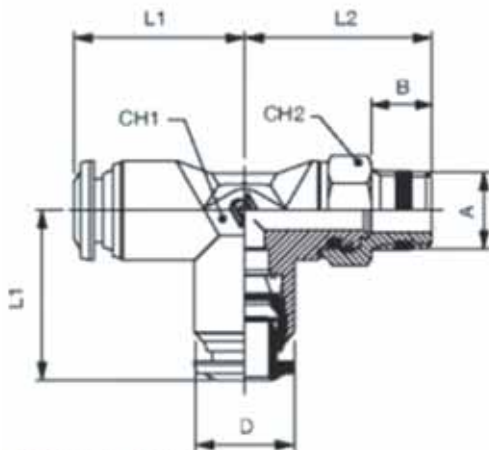
Tubo	A	B	L1	L2	CH	D	Conf./Pack	Draw
4	M5	5	17	15	9	10	25	Download (453.50 KB)
4	1/8	7,5	17	15,5	9	10	25	Download (446.11 KB)
5	M5	5	20	17	11	12,5	25	Download (433.84 KB)
5	1/8	7,5	20	17,5	11	12,5	25	Download (424.79 KB)
6	1/8	7,5	21	17,5	11	12,5	25	Download (240.55 KB)
6	1/4	11	21	21,5	11	12,5	25	Download (245.37 KB)
8	1/8	7,5	22,5	19	13	14	25	Download (371.20 KB)
8	1/4	11	22,5	21,5	13	14	25	Download (374.16 KB)
10	1/4	11	26,5	24,5	16	17	25	Download (248.02 KB)
10	3/8	11,5	26,5	24	16	17	25	Download (253.68 KB)
12	1/4	11	30,5	28	19	21,5	25	Download (237.35 KB)
12	3/8	11,5	30,5	28	19	21,5	25	Download (241.29 KB)



TILL STOCK LASTS

50110 - ORIENTING ELBOW MALE ADAPTOR (TAPER)

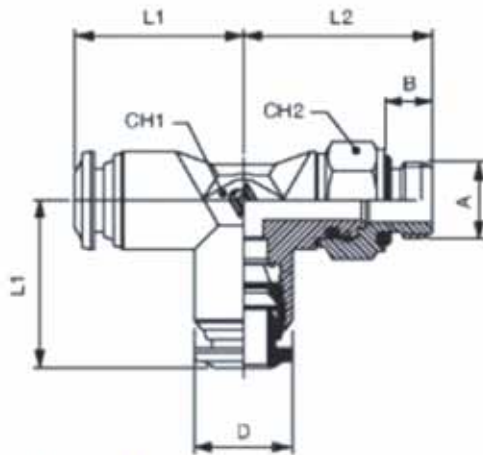
Tube	A	B	L1	L2	CH1	CH2	D	Conf./Pack	Draw
4	1/8	7,5	17	22	9	13	10	25	Not avail.
4	1/4	11	17	28	9	15	10	25	Not avail.
5	1/8	7,5	20	24	11	13	12,5	25	Not avail.
6	1/8	7,5	21	24	11	13	12,5	25	Not avail.
6	1/4	11	21	29	11	15	12,5	25	Not avail.
8	1/8	7,5	22,5	25,5	13	13	14	25	Not avail.
8	1/4	11	22,5	30	13	15	14	25	Not avail.
8	3/8	11,5	22,5	31	13	17	14	25	Not avail.
8	1/2	14	22,5	36	13	22	14	25	Not avail.
10	1/4	11	26,5	32	16	15	17	25	Not avail.
10	3/8	11,5	26,5	33	16	17	17	25	Not avail.
10	1/2	14	26,5	38	16	22	17	25	Not avail.
12	3/8	11,5	30,5	36	19	17	21,5	25	Not avail.
12	1/2	14	30,5	41	19	22	21,5	25	Not avail.
14	3/8	11,5	32,5	37,5	19	17	21,5	10	Not avail.
14	1/2	14	32,5	42,5	19	22	21,5	10	Not avail.



TILL STOCK LASTS

50222 - ORIENTING TEE MALE ADAPTOR (TAPER) OFF - SET LEG

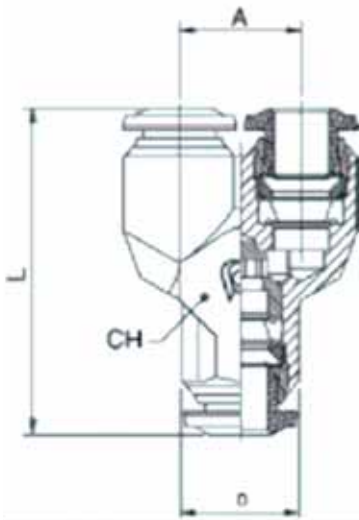
Tube	A	B	L1	L2	CH1	CH2	D	Conf./Pack	Draw
4	1/8	7,5	17	22	9	13	10	25	Not avail.
4	1/4	11	17	28	9	15	10	25	Not avail.
5	1/8	7,5	20	24	11	13	12,5	25	Not avail.
6	1/8	7,5	21	24	11	13	12,5	25	Not avail.
6	1/4	11	21	29	11	15	12,5	25	Not avail.
8	1/8	7,5	22,5	25,5	13	13	14	25	Not avail.
8	1/4	11	22,5	30	13	15	14	25	Not avail.
8	3/8	11,5	22,5	31	13	17	14	25	Not avail.
8	1/2	14	22,5	36	13	22	14	25	Not avail.
10	1/4	11	26,5	32	16	15	17	25	Not avail.
10	3/8	11,5	26,5	33	16	17	17	25	Not avail.
10	1/2	14	26,5	38	16	22	17	25	Not avail.
12	3/8	11,5	30,5	36	19	17	21,5	10	Not avail.
12	1/2	14	30,5	41	19	22	21,5	10	Not avail.



TILL STOCK LASTS

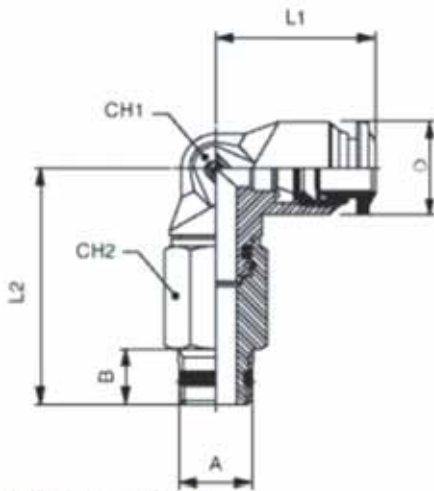
50225 - ORIENTING TEE MALE ADAPTOR (PARALLEL) OFF - SET LEG

Tubo	A	B	L1	L2	CH1	CH2	D	Conf./Pack	Draw
3	M5	5	17	20	9	8	10	25	Not avail.
4	M5	5	17	20	9	8	10	25	Not avail.
4	1/8	6	17	22,5	9	13	10	25	Not avail.
4	1/4	8	17	27	9	16	10	25	Not avail.
5	M5	5	20	22,5	11	8	12,5	25	Not avail.
5	1/8	6	20	24,5	11	13	12,5	25	Not avail.
6	M5	5	21	22,5	11	8	12,5	25	Not avail.
6	1/8	6	21	24,5	11	13	12,5	25	Not avail.
6	1/4	8	21	28	11	16	12,5	25	Not avail.
8	1/8	6	22,5	26	13	13	14	25	Not avail.
8	1/4	8	22,5	29	13	16	14	25	Not avail.
8	3/8	8	22,5	31	13	18	14	25	Not avail.
8	1/2	8	22,5	32	13	22	14	25	Not avail.
10	1/4	8	26,5	31	16	16	17	25	Not avail.
10	3/8	9	26,5	33	16	18	17	25	Not avail.
10	1/2	10	26,5	34	16	22	17	25	Not avail.
12	3/8	9	30,5	36	19	18	21,5	10	Not avail.
12	1/2	10	30,5	37	19	22	21,5	10	Not avail.
6	M12x1	8	21	28	11	16	12,5	25	Not avail.
6	M12x1,25	8	21	28	11	16	12,5	25	Not avail.
6	M12x1,5	8	21	28	11	16	12,5	25	Not avail.



50310 - Y CONNECTOR

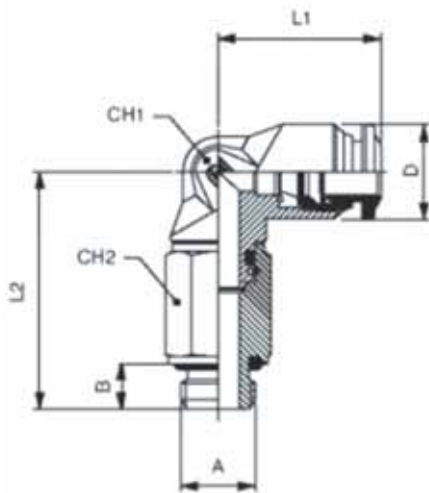
Tube	A	L	CH	D	Conf./Pack	Draw
3	10	29	9	10	25	Download (1.57 MB)
4	11	32	9	10	25	Download (1.49 MB)
5	13,5	35	11	12,5	25	Download (1.87 MB)
6	13,5	36,5	11	12,5	25	Download (1.00 MB)
8	15,5	41	13	14	25	Download (1.47 MB)
10	18,5	48	18	17	10	Download (980.78 KB)



TILL STOCK LASTS

50120 - EXTENDED ORIENTING ELBOW MALE ADAPTOR (TAPER)

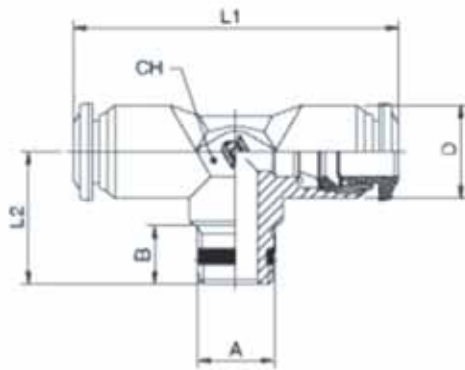
Tubo	A	B	L1	L2	CH1	CH2	D	Conf./Pack	Draw
4	1/8	7,5	17	37	9	13	10	25	Not avail.
4	1/4	11	17	46	9	15	10	25	Not avail.
5	1/8	7,5	20	39	11	13	12,5	25	Not avail.
6	1/8	7,5	21	39	11	13	12,5	25	Not avail.
6	1/4	11	21	47	11	15	12,5	25	Not avail.
8	1/8	7,5	22,5	40,5	13	13	14	25	Not avail.
8	1/4	11	22,5	48	13	15	14	25	Not avail.
8	3/8	11,5	22,5	49,5	13	17	14	25	Not avail.
10	1/4	11	26,5	50	16	15	17	25	Not avail.
10	3/8	11,5	26,5	51,5	16	17	17	25	Not avail.



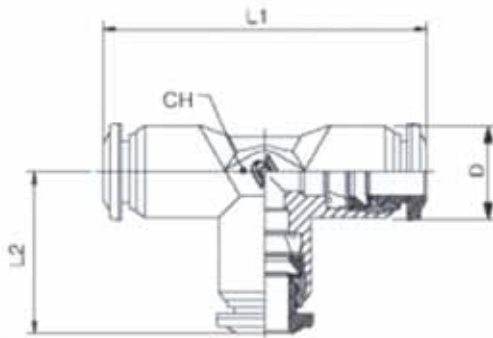
TILL STOCK LASTS

50125 - EXTENDED ORIENTING ELBOW MALE ADAPTOR (PARALLEL)

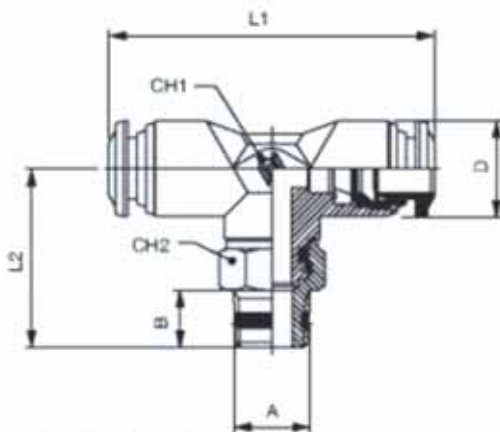
Tubo	A	B	L1	L2	CH1	CH2	D	Conf./Pack	Draw
4	1/8	6	17	37,5	9	13	10	25	Not avail.
4	1/4	8	17	45	9	16	10	25	Not avail.
5	1/8	6	20	39,5	11	13	12,5	25	Not avail.
6	1/8	6	21	39,5	11	16	12,5	25	Not avail.
6	1/4	8	21	46	13	16	12,5	25	Not avail.
8	1/8	6	22,5	41	13	13	14	25	Not avail.
8	1/4	8	22,5	47	13	16	14	25	Not avail.
8	3/8	9	22,5	49,5	13	18	14	25	Not avail.
10	1/4	8	26,5	49	16	16	17	25	Not avail.
10	3/8	9	26,5	51,5	16	18	17	25	Not avail.


50200 - TEE MALE ADAPTOR (TAPER) - CENTRE LEG

Tubo	A	B	L1	L2	CH	D	Conf./Pack	Draw
4	M5	5	34	15	9	10	25	Download (557.18 KB)
4	1/8	7,5	34	15,5	9	10	25	Download (557.77 KB)
5	1/8	7,5	40	17,5	11	12,5	25	Download (737.47 KB)
6	1/8	7,5	42	17,5	11	12,5	25	Download (398.99 KB)
8	1/8	7,5	45	19	13	14	25	Download (650.23 KB)
8	1/4	11	45	21,5	13	14	25	Download (654.91 KB)
10	1/4	11	53	24,5	16	17	25	Download (414.67 KB)
10	3/8	11,5	53	24	16	17	25	Download (423.34 KB)
12	1/4	11	61	28	19	21,5	10	Download (397.19 KB)
12	3/8	11,5	61	28	19	21,5	10	Download (396.56 KB)


50230 - TEE CONNECTOR

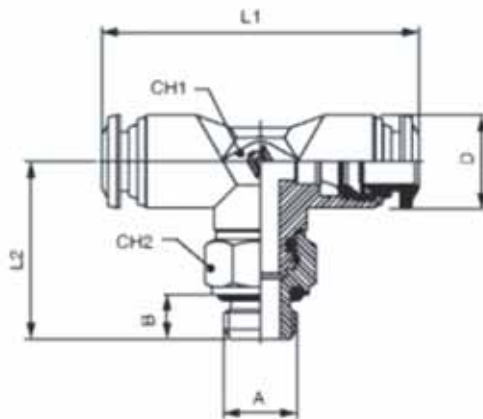
Tubo	L1	L2	CH	D	Conf./Pack	Draw
3	34	17	9	10	25	Download (1.11 MB)
4	34	17	9	10	25	Download (771.09 KB)
5	40	20	11	12,5	25	Download (1.03 MB)
6	42	21	11	12,5	25	Download (551.33 KB)
8	45	22,5	13	14	25	Download (910.34 KB)
10	53	26,5	16	17	25	Download (568.53 KB)
12	61	30,5	19	21,5	10	Download (536.31 KB)
14	65,5	32,5	19	21,5	10	Download (482.75 KB)



TILL STOCK LASTS

50210 - ELBOW MALE ADAPTOR (TAPER)

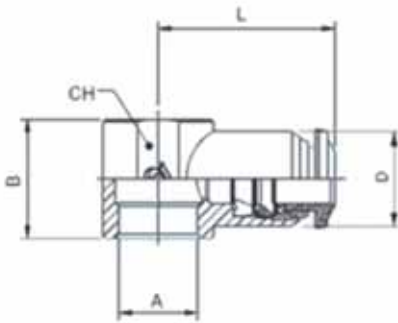
Tubo	A	B	L1	L2	CH1	CH2	D	Conf./Pack	Draw
4	1/8	7,5	34	22	9	13	10	25	Not avail.
4	1/4	11	34	28	9	15	10	25	Not avail.
5	1/8	7,5	40	24	11	13	12,5	25	Not avail.
6	1/8	7,5	42	24	11	13	12,5	25	Not avail.
6	1/4	11	42	29	11	15	12,5	25	Not avail.
8	1/8	7,5	45	25,5	13	13	14	25	Not avail.
8	1/4	11	45	30	13	15	14	25	Not avail.
8	3/8	11,5	45	31	13	17	14	25	Not avail.
8	1/2	14	45	36	13	22	14	25	Not avail.
10	1/4	11	53	32	16	15	17	25	Not avail.
10	3/8	11,5	53	33	16	17	17	25	Not avail.
10	1/2	14	53	38	16	22	17	25	Not avail.
12	3/8	11,5	61	36	19	17	21,5	10	Not avail.
12	1/2	14	61	41	19	22	21,5	10	Not avail.
14	3/8	11,5	65	37,5	19	17	21,5	10	Not avail.
14	1/2	14	65	42,5	19	22,5	21,5	10	Not avail.



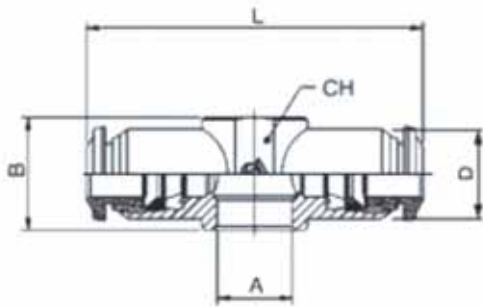
TILL STOCK LASTS

50215 - ORIENTING TEE MALE ADAPTOR (PARALLEL) CENTRE LEG

Tubo	A	B	L1	L2	CH1	CH2	D	Conf./Pack	Draw
3	M5	5	34	20	9	8	10	25	Not avail.
4	M5	5	34	20	9	8	10	25	Not avail.
4	1/8	6	34	22,5	9	13	10	25	Not avail.
4	1/4	8	34	27	9	16	10	25	Not avail.
5	M5	5	40	22,5	11	8	12,5	25	Not avail.
5	1/8	6	40	24,5	11	13	12,5	25	Not avail.
6	M5	5	42	22,5	11	8	12,5	25	Not avail.
6	1/8	6	42	24,5	11	13	12,5	25	Not avail.
6	1/4	8	42	28	11	16	12,5	25	Not avail.
8	1/8	6	45	26	13	13	14	25	Not avail.
8	1/4	8	45	29	13	16	14	25	Not avail.
8	3/8	9	45	31	13	18	14	25	Not avail.
8	1/2	10	45	32	13	22	14	25	Not avail.
10	1/4	8	53	31	16	16	17	25	Not avail.
10	3/8	9	53	33	16	18	17	25	Not avail.
10	1/2	10	53	34	16	22	17	25	Not avail.
12	3/8	9	61	36	19	18	21,5	10	Not avail.
12	1/2	10	61	37	19	22	21,5	10	Not avail.
14	3/8	11,5	65	37,5	19	17	21,5	10	Not avail.
14	1/2	14	65	42,5	19	22	21,5	10	Not avail.
6	M12x1	8	42	28	11	16	12,5	25	Not avail.
6	M12x1,25	8	42	28	11	16	12,5	25	Not avail.
6	M12x1,5	8	42	28	11	16	12,5	25	Not avail.

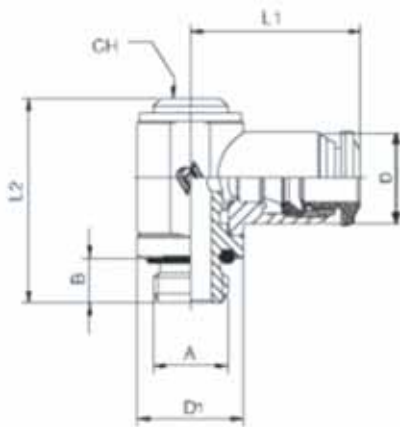

50500 - SINGLE BANJO BODY

Tubo	A	B	L	CH	D	Conf./Pack	Draw
3	M5	12,5	19	-	10	25	Download (268.81 KB)
3	M6	12,5	19	-	10	25	Download (272.84 KB)
4	M5	12,5	19	-	10	25	Download (247.32 KB)
4	M6	12,5	19	-	10	25	Download (252.09 KB)
4	1/8	15	21	14	10	25	Download (301.48 KB)
5	M5	12,5	20	-	12,5	25	Download (348.90 KB)
5	M6	12,5	20	-	12,5	25	Download (354.95 KB)
5	1/8	15	21,5	14	12,5	25	Download (395.30 KB)
5	1/4	17	24,5	18	12,5	25	Download (391.76 KB)
6	M5	12,5	20,5	-	12,5	25	Download (188.68 KB)
6	M6	12,5	20,5	-	12,5	25	Download (200.31 KB)
6	1/8	15	22	14	12,5	25	Download (222.59 KB)
6	1/4	17	25	18	12,5	25	Download (234.19 KB)
8	1/8	15	24	14	14	25	Download (337.16 KB)
8	1/4	17	26	18	14	25	Download (335.03 KB)
8	3/8	20	28	21	14	25	Download (378.18 KB)
10	1/4	17	29	18	17	25	Download (238.97 KB)
10	3/8	20	30,5	21	17	25	Download (274.12 KB)
12	3/8	20	32,5	21	21,5	25	Download (258.95 KB)
12	1/2	24	35	25	21,5	10	Download (216.12 KB)
14	1/2	24	35,5	25	21,5	10	Download (173.91 KB)

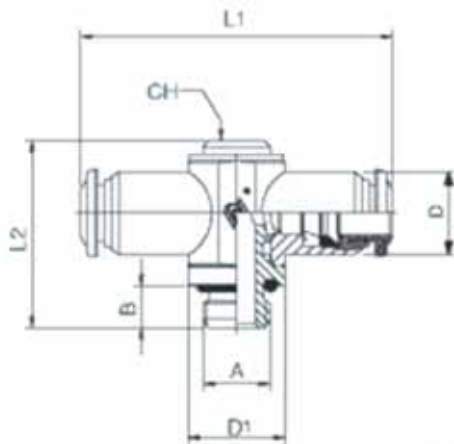


50510 - DOUBLE BANJO BODY

Tube	A	B	L	CH	D	Conf./Pack	Draw
4	M5	12,5	38	-	10	25	Download (527.12 KB)
4	M6	12,5	38	-	10	25	Download (546.16 KB)
4	1/8	15	42	14	10	25	Download (577.33 KB)
5	1/8	15	43	14	12,5	25	Download (727.11 KB)
5	1/4	17	49	18	12,5	25	Download (725.79 KB)
6	1/8	15	44	14	12,5	25	Download (426.04 KB)
6	1/4	17	50	18	12,5	25	Download (441.70 KB)
8	1/8	15	48	14	14	25	Download (634.92 KB)
8	1/4	17	52	18	14	25	Download (634.50 KB)


50550 - ORIENTING SINGLE BANJO BODY MALE

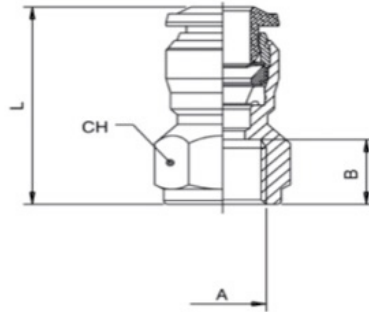
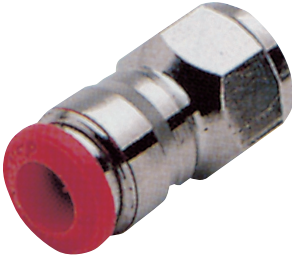
Tubo	A	B	L1	L2	CH	D1	D	Conf./Pack	Draw
3	M5	3,6	16,5	24,5	-	CH8	10,5	25	Download (308.13 KB)
4	M5	3,6	19	24,5	-	CH8	10	25	Download (302.77 KB)
4	1/8	6	21	27	5	14	10	25	Download (363.22 KB)
5	M5	3,6	20	24,5	-	CH8	12,5	25	Download (408.22 KB)
5	1/8	6	21,5	27	5	14	12,5	25	Download (456.68 KB)
5	1/4	8	24,5	31	6	18	12,5	25	Download (441.78 KB)
6	M5	3,6	20,5	24,5	-	CH8	12,5	25	Download (241.20 KB)
6	1/8	6	22,5	27	5	14	12,5	25	Download (285.22 KB)
6	1/4	8	25	31	6	18	12,5	25	Download (277.29 KB)
8	1/8	6	24	27	5	14	14	25	Download (391.32 KB)
8	1/4	8	26	31	6	18	14	25	Download (386.06 KB)
8	3/8	9	28	35,5	7	21	14	25	Download (436.69 KB)
10	1/4	8	29	31	6	18	17	25	Download (284.55 KB)
10	3/8	9	30,5	35,5	7	21	17	25	Download (306.30 KB)
12	3/8	9	32,5	35,5	7	21	21,5	25	Download (298.18 KB)


50560 - ORIENTING DOUBLE BANJO BODY MALE

Tube	A	B	L1	L2	D1	CH	D	Conf./Pack	Draw
4	M5	5	38	24,5	9	-	10	25	Download (561.56 KB)
4	1/8	6	42	27	14	5	10	25	Download (588.79 KB)
5	1/8	6	43	27	14	5	12,5	25	Download (768.70 KB)
5	1/4	8	49	31	18	6	12,5	25	Download (780.42 KB)
6	1/8	6	45	27	14	5	12,5	25	Download (428.74 KB)
6	1/4	8	50	31	18	6	12,5	25	Download (443.33 KB)
8	1/8	6	48	27	14	5	14	25	Download (689.45 KB)
8	1/4	8	52	31	18	6	14	25	Download (671.88 KB)

Brass Push-in Fittings

Female Stud



Part Number	Tube	A	B	L	CH
P3-3-M5	3	M5	5.5	18.5	9
P3-4-1/8	4	1/8"	8.5	24	13
P3-5-1/8	5	1/8"	8.5	26.5	13
P3-6-1/8	6	1/8"	8.5	26	13
P3-6-1/4	6	1/4"	11	29.5	16
P3-8-1/8	8	1/8"	8.5	27	15
P3-8-1/4	8	1/4"	11	29.5	17

Brass Push-in Fittings



Bulkhead Connector

Media:

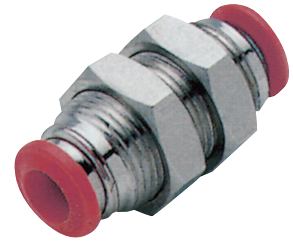
Suitable for Compressed Air and Vacuum



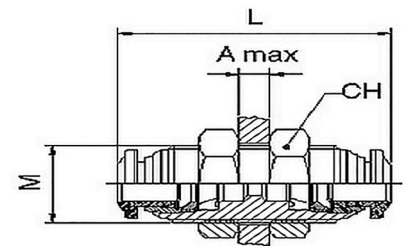
Temperature Range:
-18°C to +70°C



Working Pressure:
15 bar (220 psi)

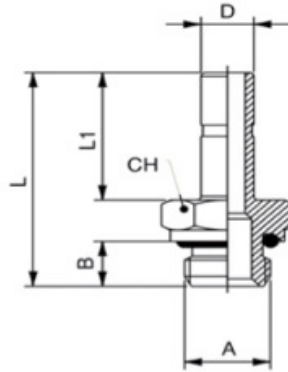
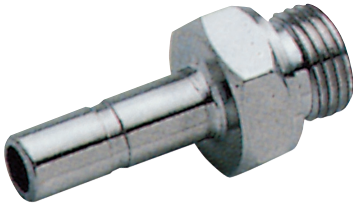


Part Number	Tube	M	L	CH	A max
P5-3	3	M10x1	26	14	5
P5-4	4	M12x1	31.5	17	7
P5-5	5	M14x1	33	17	7
P5-6	6	M14x1	35	17	9.5
P5-8	8	M16x1	37	19	10.5
P5-10	10	M20x1	43	24	12.5
P5-12	12	M22x1	48	26	16.5



Brass Push-in Fittings

Stem Adaptor



Metric & BSPP

Part Number	D	A	B	L	L1	CH
P30-4-M5	4	M5	4	24	15	8
P30-4-1/8	4	1/8	6	26,5	15	13
P30-5-M5	5	M5	4	26	17	8
P30-5-1/8	5	1/8	6	28,5	17	13
P30-5-1/4	5	1/4	8	31	17	16
P30-6-M5	6	M5	4	26	17	8
P30-6-1/8	6	1/8	6	28,5	17	13
P30-6-1/4	6	1/4	8	31	17	16
P30-8-1/8	8	1/8	6	29,5	18	13
P30-8-1/4	8	1/4	8	32	18	16
P30-8-3/8	8	3/8	9	33,5	18	20
P30-10-1/4	10	1/4	8	36	22	16
P30-10-3/8	10	3/8	9	37,5	22	20
P30-12-1/4	12	1/4	8	38,5	24,5	16
P30-12-3/8	12	3/8	9	40	24,5	20

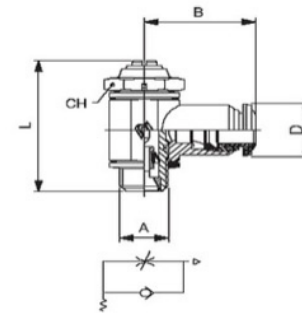


Brass Push-in Fittings

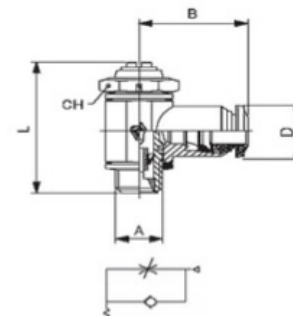
Flow Regulators



For Cylinder, Thread, Metric & BSPP						
Part Number	Tube	A	B	L	CH	D
P40-4-M5	4	M5	19	24	8	10
P40-4-1/8	4	1/8	21	30.5	14	10
P40-5-1/8	5	1/8	21.5	30.5	14	12.5
P40-5-1/4	5	1/4	24.5	35.5	17	12.5
P40-6-M5	6	M5	20.5	24	8	12.5
P40-6-1/8	6	1/8	22.5	30.5	14	12.5
P40-6-1/4	6	1/4	25	35.5	17	12.5
P40-8-1/8	8	1/8	24	30.5	14	14
P40-8-1/4	8	1/4	26	36.5	17	14



For Valve, Thread, BSPP						
Part Number	Tube	A	B	L	CH	D
P41-6-1/8	6	1/8	22.5	30.5	14	12.5
P41-6-1/4	6	1/4	25	35.5	17	12.5
P41-8-1/4	8	1/4	26	35.5	17	14



For Bi-directional, Thread, BSPP						
Part Number	Tube	A	B	L	CH	D
P42-6-1/8	6	1/8	22.5	30.5	14	12.5
P42-6-1/4	6	1/4	25	35.5	17	12.5
P42-8-1/8	8	1/8	24	30.5	14	14
P42-8-1/4	8	1/4	26	35.5	17	14

