

Vacuplus MINI Xi10-2

Article number: 0223781

- Small and compact sizes
- Symmetric vacuum interfaces on top and bottom ensures flexible installation
- Patented COAX® technology



Technical data

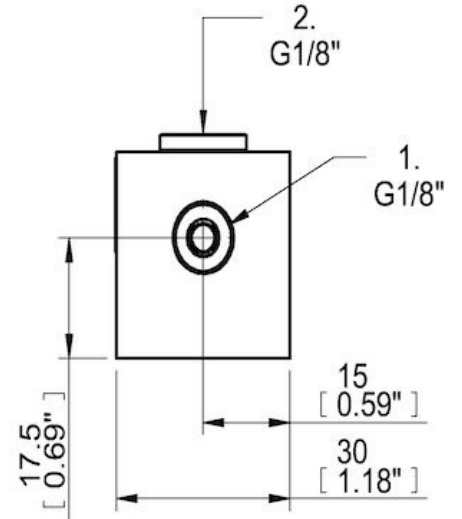
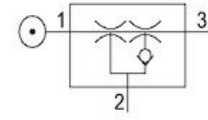
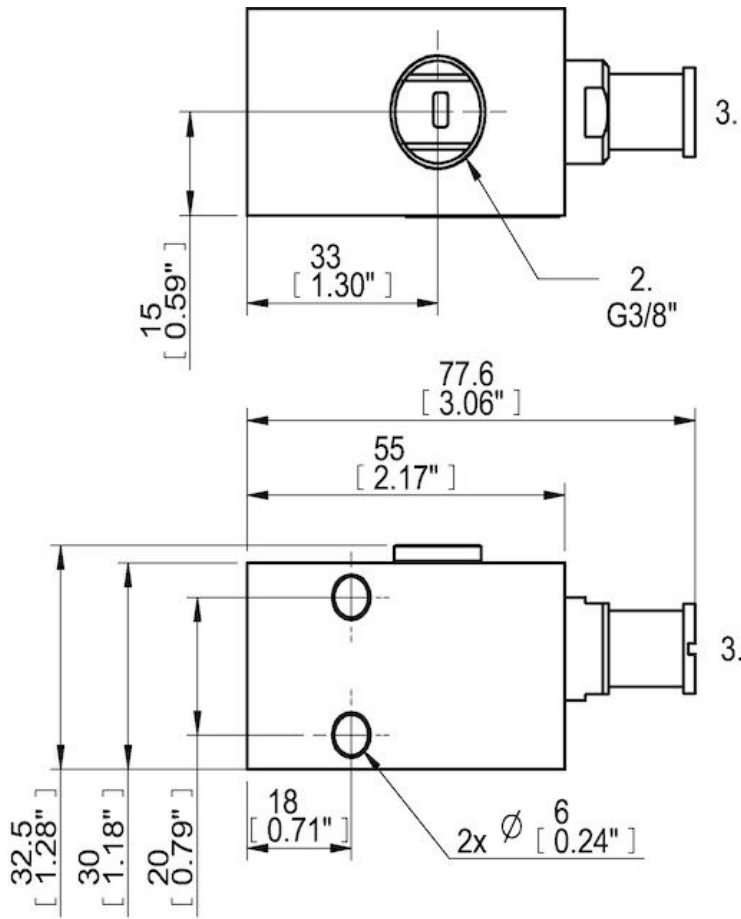
Description	Unit	Value
Material	-	Al, Nitrile (NBR), POM, SS
Temperature, max.	°C	50
Temperature, min.	°C	-10
Weight, max.	g	72
Feed pressure, max.	MPa	0.7
Noise level, max.	dBA	74
Noise level, min.	dBA	60

Performance

Feed pressure MPa	Air consumption Nl/s	Vacuum flow (Nl/s) at different vacuum levels (-kPa)													Max vacuum kPa
		0	10	20	30	40	50	60	70	75	80	90	95	99	
0.5	0.46	0.75	0.63	0.49	0.33	0.19	0.15	0.11	0.07	0	0.04	0.01	0	0	≥94

Feed pressure MPa	Air consumption Nl/s	Evacuation time (s/l) to reach different vacuum levels (-kPa)													Max vacuum kPa
		10	20	30	40	50	60	70	80	90	95	99	99.5	100.3	
0.5	0.46	0.14	0.32	0.57	0.97	1.57	2.27	3.47	5.27	8.867	0	0	0	0	≥94

Dimensional drawings



Values specified in this datasheet are tested at (unless otherwise stated):

- Room temperature (20°C [68°F] ± 3°C [5.5°F]).
- Standard atmosphere (101.3 [29.9 inHg] ± 1.0 kPa [0.3 inHg]).
- Compressed air quality, DIN ISO 8573-1 class 4.

Tolerance and accuracy:

- Feed pressure tolerance ±0.02 MPa [2.9 psi]
- Vacuum flow/evacuation time accuracy ±10%.