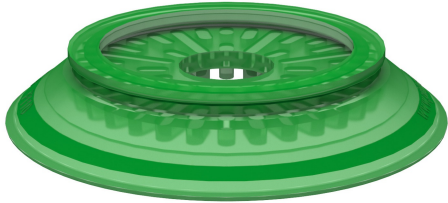


Suction cup F110P Polyurethane 60

Article number: 0111593



- Suitable for flat and rough surfaces.
- Fair stability and little inherent movement.
- Recommended when the lifting force is parallel to the surface of the object.
- In the two-coloured suction cup the bellows and the sealing lip are of different hardnesses, which makes the suction cup strong and stable and, at the same time, soft and flexible.
- DURAFLEX® suction cups manufactured in a specially developed material that features the elasticity of rubber and wear resistance of polyurethane. The material does not leave any marks on the objects handled.

Technical data

Description	Unit	Value
Suction cup shape	-	Flat
Application	-	Dry sheet metal, Mark Free
Suction cup design	-	Round
Characteristics	-	Dry sheet metal, Mark free
Material	-	Polyurethane (PU)
Weight, min.	g	133
Suction cup model	-	F
Volume	cm ³	60
Height	mm	20
Outer diameter, min.	mm	115
Outer diameter, actuated	mm	119.6
Fitting size	-	None
Fitting option	-	None
Fitting style	-	None
Fitting type	-	None
Suction cup model	-	F110P PU60
Movement, vertical max.	mm	4
Curve radius, min.	mm	250

Performance - Lifting forces

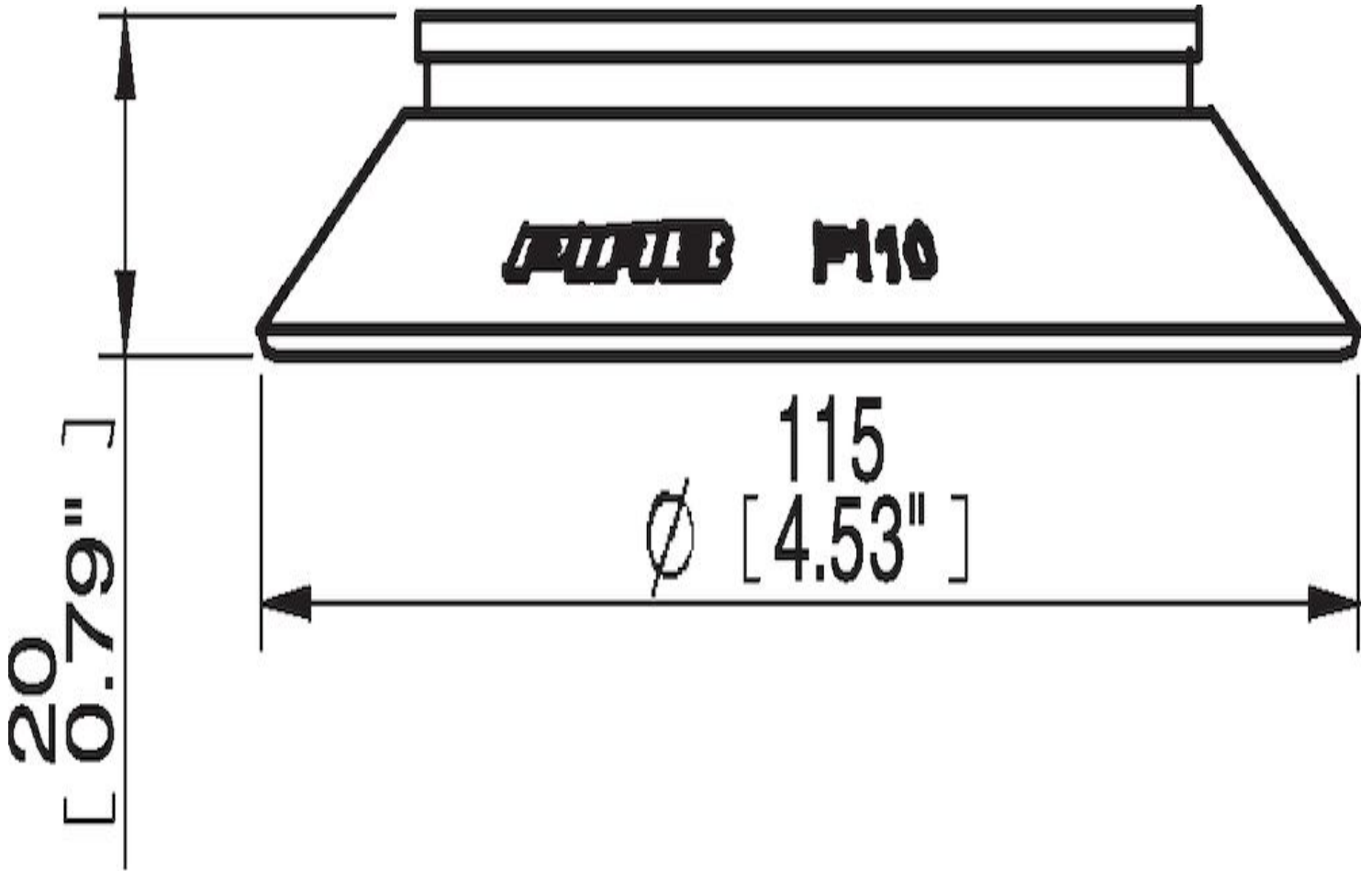
F110P PU60	Vertical (N)	Parallel (N)
20 -kPa	191	297
60 -kPa	498	523
90 -kPa	705	664

Material	
Name	Polyurethane (PU60)
Colour	Green transparent
Temperature, min. °C	10
Temperature max. °C	50
Hardness °Shore A	60

Material resistance

Alcohol	n/a
Concentrated acids	Fair
Ethanol	Fair
Hydrolysis	Fair
Methanol	Poor
Oil	Excellent
Oxidation	Poor
Petrol	Fair
Wear resistance	Excellent
Weather and ozone	Excellent

Dimensional drawings



Values specified in this data sheet are tested at (unless otherwise stated):

- Room temperature (20°C [68°F] ± 3°C [5.5°F]).
- Standard atmosphere (101.3 [29.9 inHg] ± 1.0 kPa [0.3 inHg]).
- Relative humidity 20-70%.
- Compressed air quality, DIN ISO 8573-1 class 4.

Accessories

0100557 | Fitting 110 G3/8" female, with mesh filter

0100559 | Fitting 110, 3/8" NPSF female, with mesh filter

0100561 | Fitting 110, G1/2" female, with mesh filter

0100563 | Fitting 110, G1/2" female, with cone valve